



RAILING SYSTEMS

STAINLESS STEEL / ALUMINIUM / GLASS

 **INOX
LEŠKO**

2021/2022





STATIC STUDIO

GAMIN



Faculty of Civil Engineering

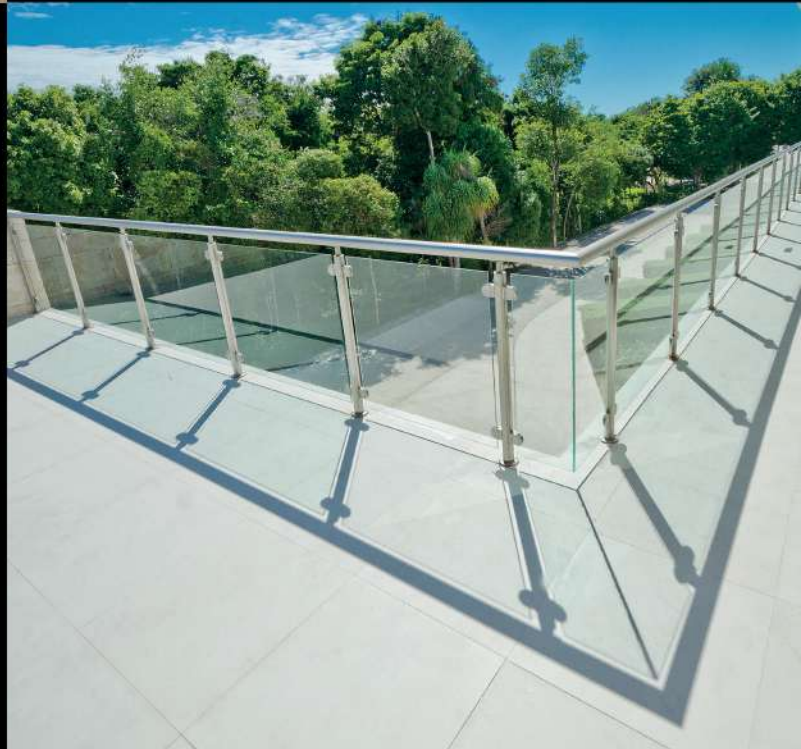


1 FRAMELESS GLASS RAILING

4

2 POST RAILING

72



3 GLASS CLAMPS

92

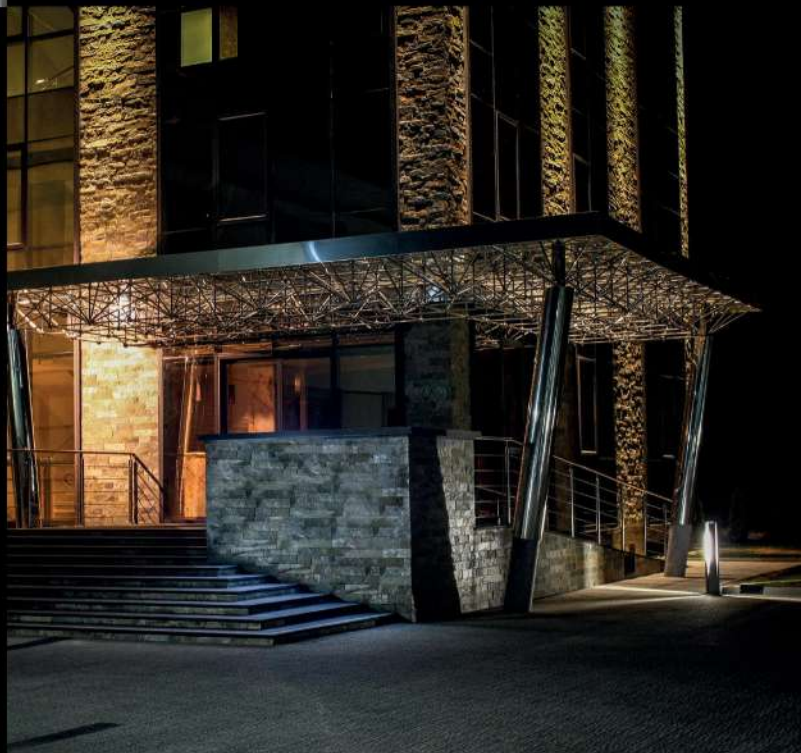


4 COMPONENTS

122

5 GLASS SYSTEMS

226



6 STAIRS, ACCESORIES

296

1 FRAMELESS GLASS RAILING





1.1 AL PROFILE SYSTEM





U PROFILE
TOP MOUNT
FIX

AL/0004
AL/0004-A
AL/0004-ECO
AL/0008



F PROFILE
TOP MOUNT
FIX

AL/0006
AL/0006-ECO



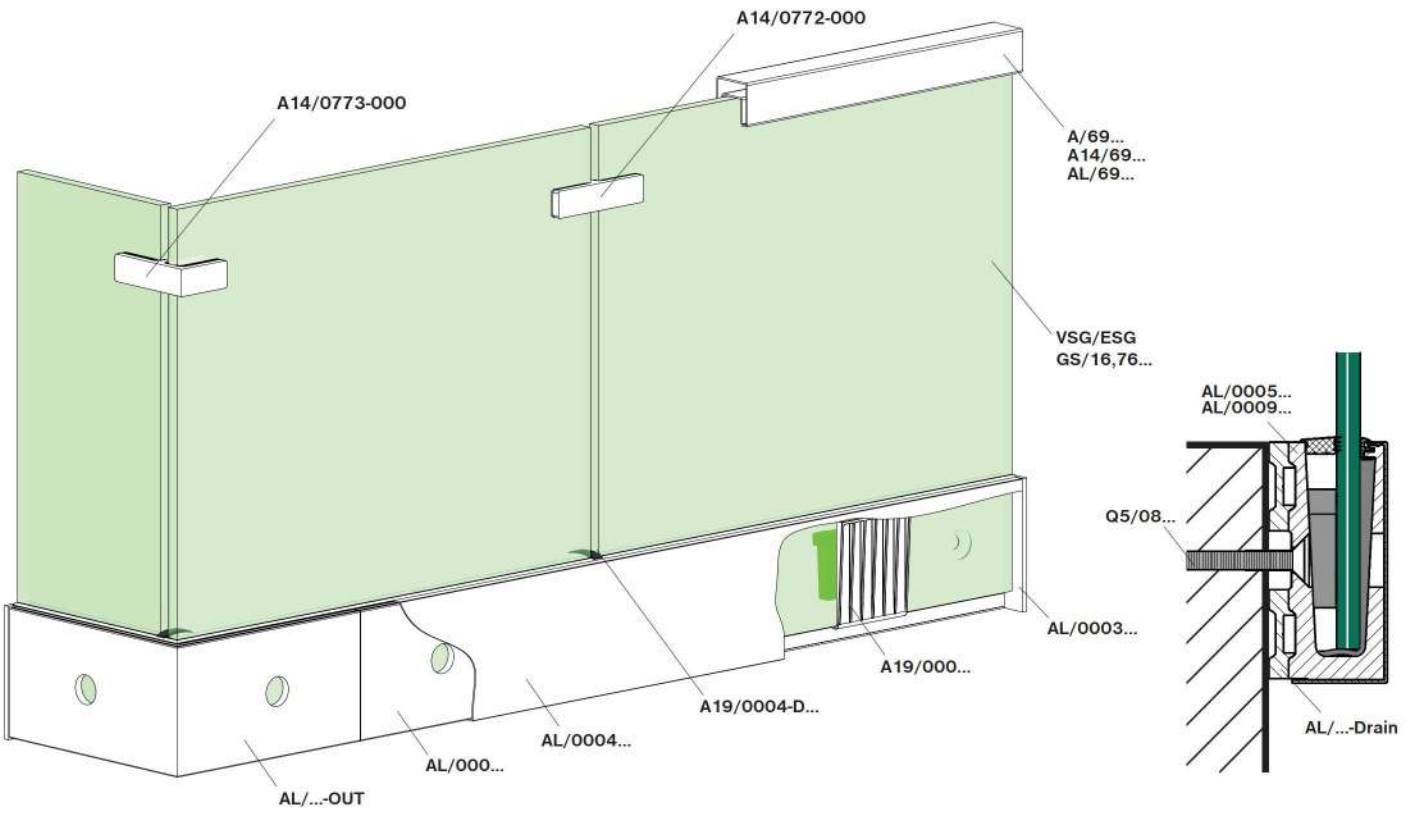
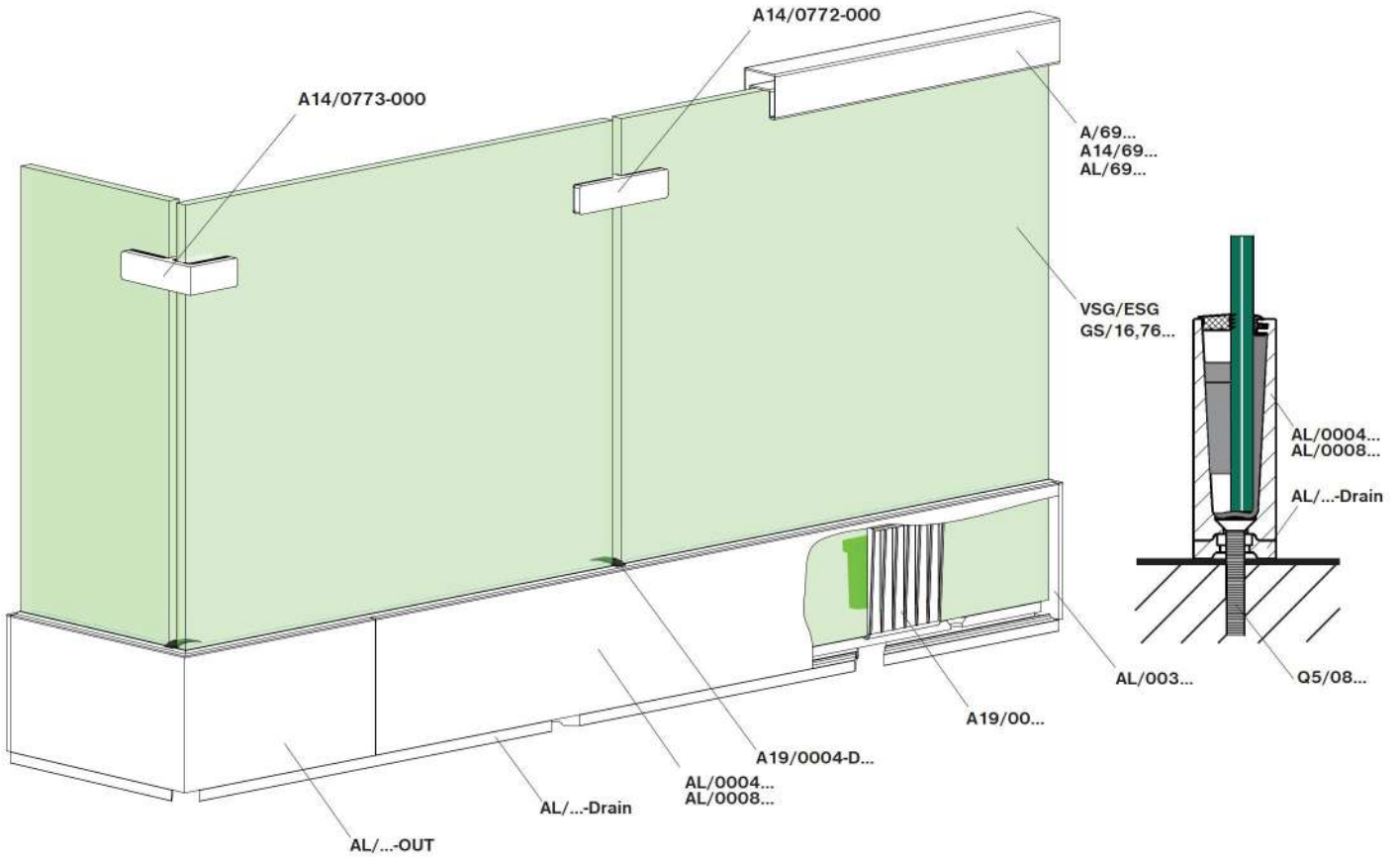
U PROFILE
SIDE MOUNT
FIX

AL/0005-D
AL/0009



Y PROFILE
SIDE MOUNT
FIX

AL/0011



Material	Finish	Effect	art.	L	G/h	glass t 12-25,52	kg/m		
	ANODIZED ALUMINIUM	satin	silver	AL/0004-1250-S-E	1250	1kN	12-21,52		6
				AL/0004-2500-S-E	2500				
				AL/0004-5000-S-E	5000				
				AL/0004-A-5000-S-E	5000				
			INOX	AL/0004-1250-S-VA	1250				
				AL/0004-2500-S-VA	2500				
				AL/0004-5000-S-VA	5000				
				AL/0004-5000-S-VA-EXCLUSIVE	5000				
	ANODIZED ALUMINIUM	satin	silver	AL/0004-ECO-2500-S-E	2500	1kN	12-21,52		4,8
				AL/0004-ECO-5000-S-E	5000				
				AL/0004-ECO-6000-S-E	6000				
			black	AL/0004-ECO-2500-S-EB	2500				
				AL/0004-ECO-5000-S-EB	5000				
	ANODIZED ALUMINIUM	satin	silver	AL/0008-2500-S-E	2500	3kN	21,52-25,52		7,6
				AL/0008-5000-S-E	5000				

top

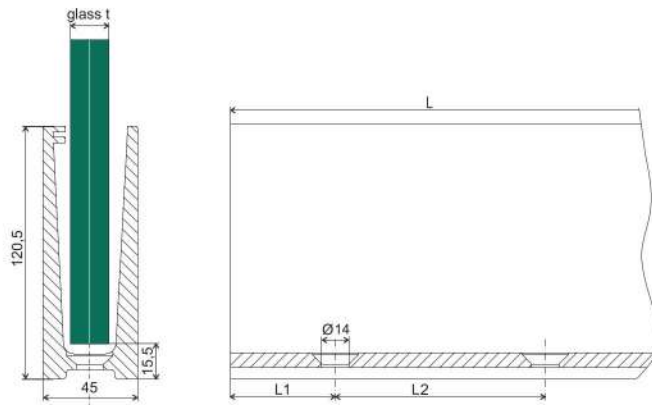
Material	Finish	Effect	art.	L	G/h	glass t 12-25,52	kg/m		
	ANODIZED ALUMINIUM	satin	silver	AL/0006-1250-S-E	1250	1kN	12-21,52		7,6
				AL/0006-2500-S-E	2500				
				AL/0006-5000-S-E	5000				
				AL/0006-6000-S-E	6000				
	ANODIZED ALUMINIUM	satin	silver	AL/0006-ECO-2500-S-E	2500	1kN	12-21,52		5,9
				AL/0006-ECO-5000-S-E	5000				
				AL/0006-ECO-6000-S-E	6000				
			black	AL/0006-ECO-2500-S-EB	2500				
				AL/0006-ECO-5000-S-EB	5000				

top

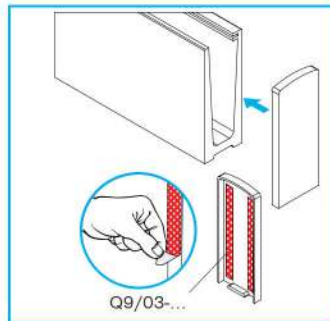
Material	Finish	Effect	art.	L	G/h	glass t 12-25,52	kg/m		
	ANODIZED ALUMINIUM	satin	silver	AL/0005-D-1250-S-E	1250	1kN	12-21,52		6,4
				AL/0005-D-2500-S-E	2500				
				AL/0005-D-5000-S-E	5000				
				AL/0005-D-6000-S-E	6000				
			black	AL/0005-D-2500-S-EB	2500				
				AL/0005-D-5000-S-EB	5000				
	ANODIZED ALUMINIUM	satin	silver	AL/0009-2500-S-E	2500	3kN	21,52-25,52		7,6
				AL/0009-5000-S-E	5000				

Material	Finish	Effect	art.	L	G/h	glass t 12-25,52	kg/m		
	ANODIZED ALUMINIUM	natural	silver	AL/0011-1250-N-E	1250	1kN	12-21,52		7,9
				AL/0011-2500-N-E	2500				
				AL/0011-5000-N-E	5000				
				AL/0011-6000-N-E	6000				
			black	AL/0011-2500-N-EB	2500				
				AL/0011-5000-N-EB	5000				

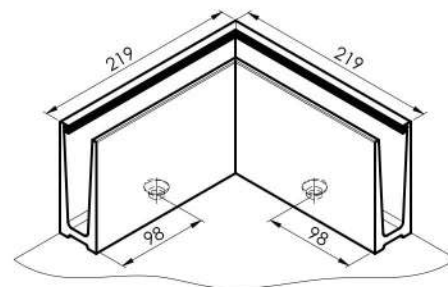
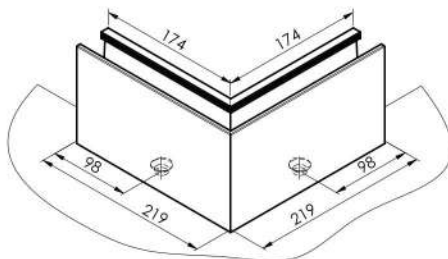
top



Material	Finish	Effect	art.	L	L1	L2	G/h	glass t			
ANODIZED ALUMINIUM	satin	silver	AL/0004-1250-S-E	1250							
			AL/0004-2500-S-E	2500	50						
			AL/0004-5000-S-E	5000	100	200					
			AL/0004-6000-S-E	6000							
	INOX			AL/0004-A-5000-S-E	5000	50	100	1kN	12,00-21,52	AL/0004...Drain	
				AL/0004-1250-S-VA	1250						
				AL/0004-2500-S-VA	2500	50					
				AL/0004-5000-S-VA	5000	100					
			AL/0004-5000-S-VA-EXCLUSIVE								



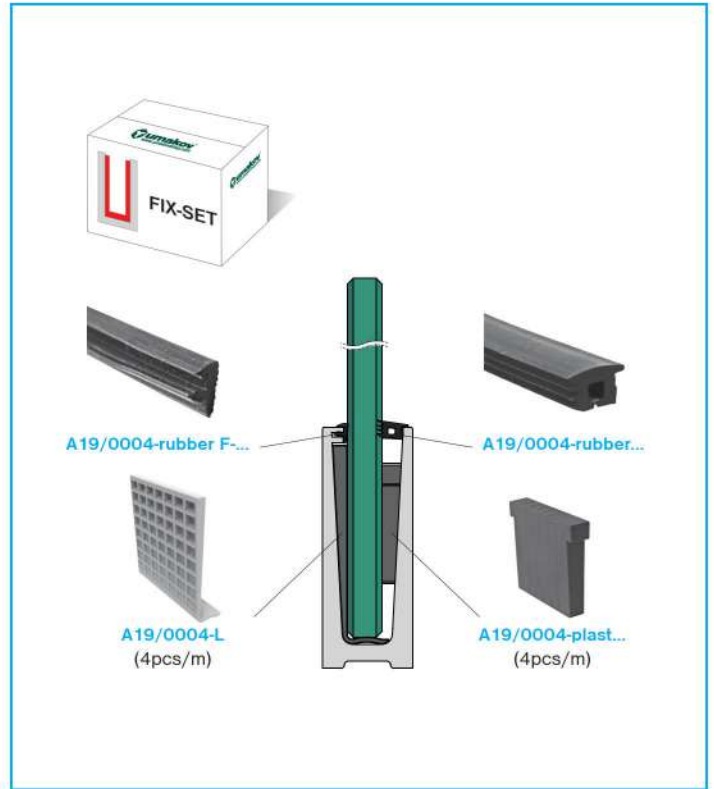
Material	Finish	Effect	art.
ANODIZED ALUMINIUM	satin	silver	AL/0034-004-S-E
		INOX	AL/0034-004-S-VA
			AL/0034-004-S-VA-EX



Material	Finish	Effect	art.
ANODIZED ALUMINIUM	satin	silver	AL/0004-S-E-90-IN
		INOX	AL/0004-S-VA-90-IN
			AL/0004-S-VA-EX-90-IN
			AL/0004-IN-ATYP

Material	Finish	Effect	art.
ANODIZED ALUMINIUM	satin	silver	AL/0004-S-E-90-OUT
		INOX	AL/0004-S-VA-90-OUT
			AL/0004-S-VA-EX-90-OUT
			AL/0004-OUT-ATYP

Glass t (mm)	L (m)	FIX-SET (pack)
12 (12)	2,5	A19/0004-012-02.5
	5	A19/0004-012-05.0
	25	A19/0004-012-25.0
12,76 (66.2)	2,5	A19/0004-013-02.5
	5	A19/0004-013-05.0
	25	A19/0004-013-25.0
16,76 (88.2)	2,5	A19/0004-017-02.5
	5	A19/0004-017-05.0
	25	A19/0004-017-25.0
17,52 (88.4)	2,5	A19/0004-018-02.5
	5	A19/0004-018-05.0
	25	A19/0004-018-25.0
20,76 (1010.2)	2,5	A19/0004-021-02.5
	5	A19/0004-021-05.0
	25	A19/0004-021-25.0
21,52 (1010.4)	2,5	A19/0004-022-02.5
	5	A19/0004-022-05.0
	25	A19/0004-022-25.0



Quality	Finish	art.	L(m)	glass t
Rubber	gray	A19/0004-F-G-02.5	2,5	12-21,52
		A19/0004-F-G-05.0	5	
		A19/0004-F-G-25.0	25	

Interiér/Interior

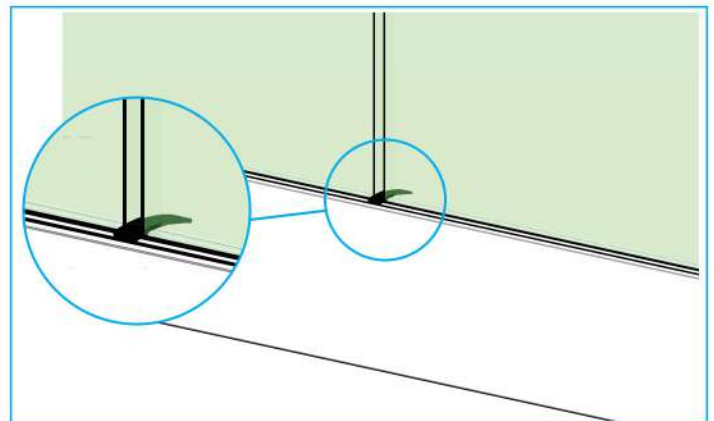


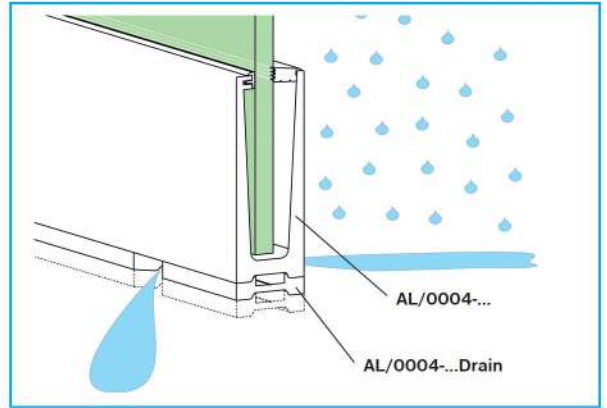
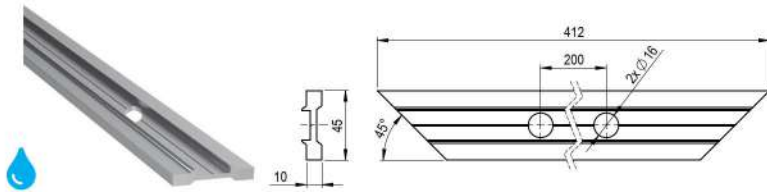
Quality	Finish	art.	L(m)	glass t
Rubber	gray	A19/0004-17-18-G-02.5	2,5	16,76-17,52
		A19/0004-17-18-G-05.0	5	
		A19/0004-17-18-G-25.0	25	

Interiér/Interior



Quality	Finish	art.	L	glass t
Rubber	black	A19/0004-D-B-100	100	12-21,52
	gray	A19/0004-D-G-100		





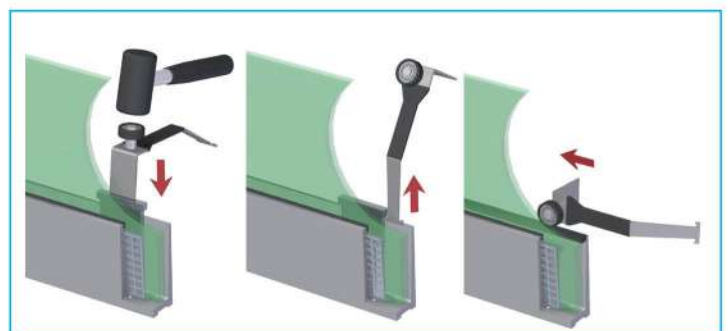
Material	Finish	Effect	art.	compatibility	pcs
ANODIZED ALUMINIUM	satin	silver	AL/0004-S-E-Drain	AL/0004-1250...	4
				AL/0004-2500...	7
		INOX	AL/0004-S-VA-Drain	AL/0004-5000...	13
				AL/0004-6000...	15

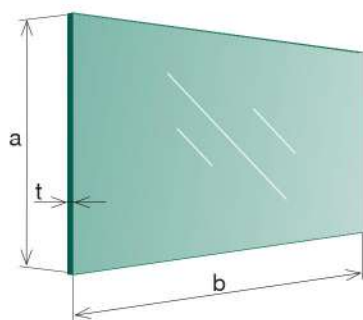


Model	Illustration	Quantity	Quantity
AL/0004-A		11pcs/m	
AL/0004		5pcs/m	1pcs/2,5m
		5pcs/m	

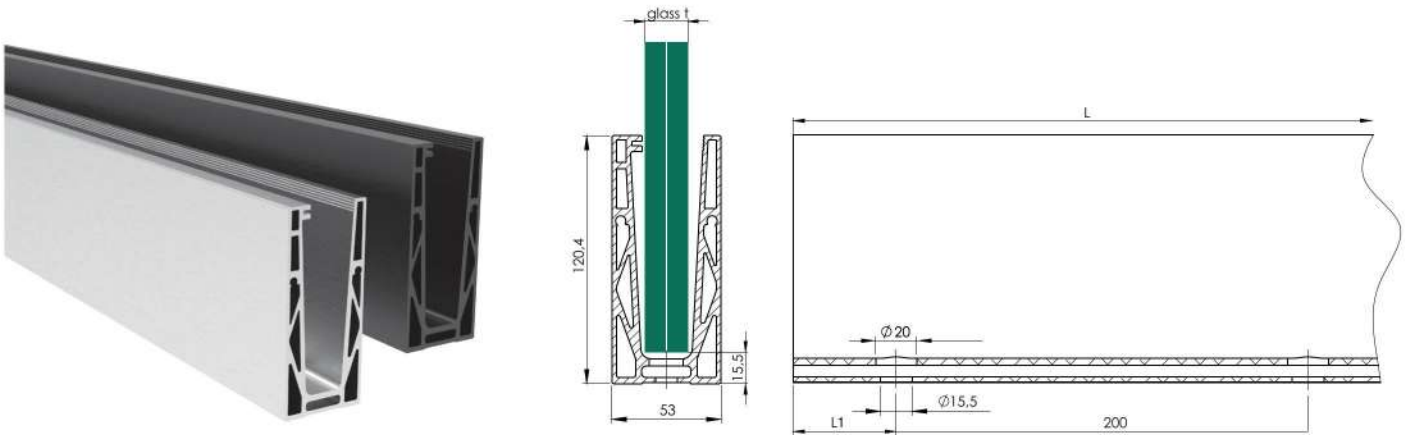


art.
AL/glass-mont





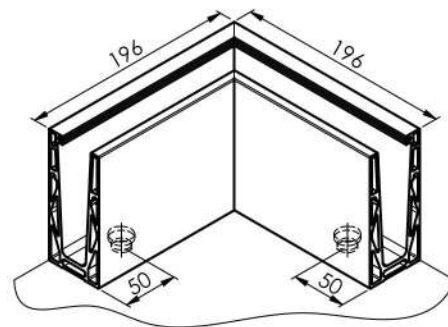
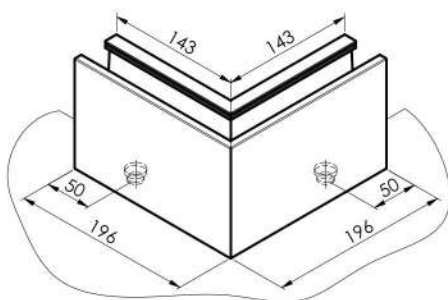
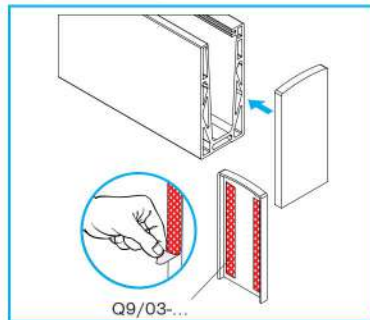
Quality	art.	t	a	b
VSG/ESG 66.2	GS/12,76-100x60-VSG/ESG	12,76	1000	600
	GS/12,76-100x70-VSG/ESG			700
	GS/12,76-100x80-VSG/ESG			800
	GS/12,76-100x90-VSG/ESG			900
	GS/12,76-100x95-VSG/ESG			950
	GS/12,76-100x100-VSG/ESG			1000
VSG/ESG 88.2	GS/16,76-100x40-VSG/ESG	16,76	1000	400
	GS/16,76-100x50-VSG/ESG			500
	GS/16,76-100x60-VSG/ESG			600
	GS/16,76-100x70-VSG/ESG			700
	GS/16,76-100x80-VSG/ESG			800
	GS/16,76-100x90-VSG/ESG			900
	GS/16,76-100x95-VSG/ESG			950
	GS/16,76-100x100-VSG/ESG			1000
VSG/ESG 88.2	GS/16,76-110x60-VSG/ESG	16,76	1100	600
	GS/16,76-110x70-VSG/ESG			700
	GS/16,76-110x80-VSG/ESG			800
	GS/16,76-110x90-VSG/ESG			900
	GS/16,76-110x95-VSG/ESG			950
	GS/16,76-110x100-VSG/ESG			1000
VSG/ESG 88.2	GS/16,76-120x40-VSG/ESG	16,76	1200	400
	GS/16,76-120x50-VSG/ESG			500
	GS/16,76-120x60-VSG/ESG			600
	GS/16,76-120x70-VSG/ESG			700
	GS/16,76-120x80-VSG/ESG			800
	GS/16,76-120x90-VSG/ESG			900
	GS/16,76-120x95-VSG/ESG			950
	GS/16,76-120x100-VSG/ESG			1000
	GS/16,76-120x110-VSG/ESG			1100



Material	Finish	Effect	art.	L	L1	G/h	glass t
ANODIZED ALUMINIUM	satin		AL/0004-ECO-2500-S-E	2500	50		
		silver	AL/0004-ECO-5000-S-E	5000	100		
			AL/0004-ECO-6000-S-E	6000	100	1kN	12,00-21,52
	black		AL/0004-ECO-2500-S-EB	2500	50		
			AL/0004-ECO-5000-S-EB	5000	100		

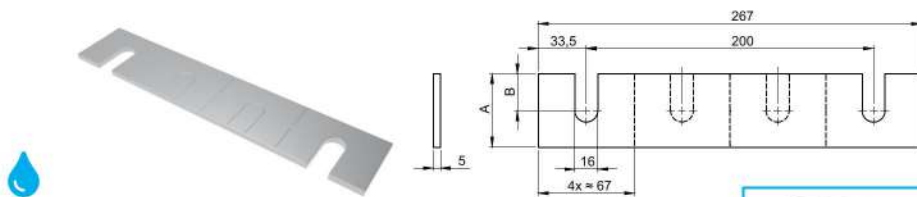


Material	Finish	Effect	art.
ANODIZED ALUMINIUM	satin	silver	AL/0034-004-ECO-S-E
		black	AL/0034-004-ECO-S-EB
AISI304			A/0034-004-ECO

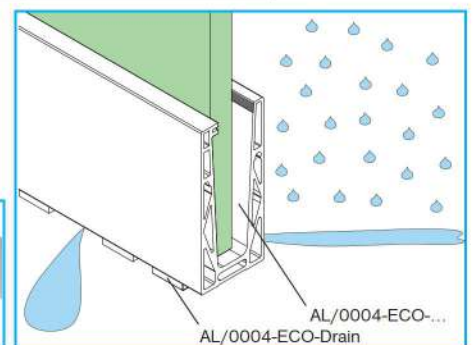


Material	Finish	Effect	art.
ANODIZED ALUMINIUM	satin	silver	AL/0004-ECO-S-E-90-IN
		black	AL/0004-ECO-S-EB-90-IN

Material	Finish	Effect	art.
ANODIZED ALUMINIUM	satin	silver	AL/0004-ECO-S-E-90-OUT
		black	AL/0004-ECO-S-EB-90-OUT

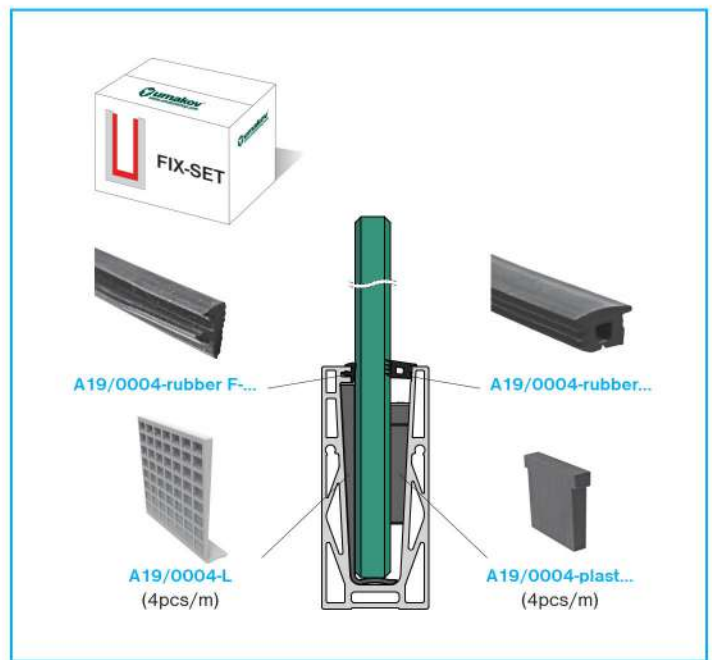


Material	Finish	art.	compatibility	A	B	Pcs/m
AISI304	satin	A/0004-ECO-Drain	AL/0004-ECO-...-S-E AL/0004-ECO-...-S-EB	51	25,5	2,5



MODEL 0004-ECO

Glass t (mm)	L (m)	FIX-SET (pack)
12 (12)	2,5	A19/0004-012-02.5
	5	A19/0004-012-05.0
	25	A19/0004-012-25.0
12,76 (66.2)	2,5	A19/0004-013-02.5
	5	A19/0004-013-05.0
	25	A19/0004-013-25.0
16,76 (88.2)	2,5	A19/0004-017-02.5
	5	A19/0004-017-05.0
	25	A19/0004-017-25.0
17,52 (88.4)	2,5	A19/0004-018-02.5
	5	A19/0004-018-05.0
	25	A19/0004-018-25.0
20,76 (1010.2)	2,5	A19/0004-021-02.5
	5	A19/0004-021-05.0
	25	A19/0004-021-25.0
21,52 (1010.4)	2,5	A19/0004-022-02.5
	5	A19/0004-022-05.0
	25	A19/0004-022-25.0



Quality	Finish	art.	L(m)	glass t
Rubber	gray	A19/0004-F-G-02.5	2,5	12-21,52
		A19/0004-F-G-05.0	5	
		A19/0004-F-G-25.0	25	

Interiér/Interior



Quality	Finish	art.	L(m)	glass t
Rubber	gray	A19/0004-17-18-G-02.5	2,5	16,76-17,52
		A19/0004-17-18-G-05.0	5	
		A19/0004-17-18-G-25.0	25	

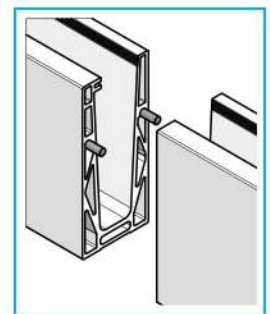
Interiér/Interior



Quality	Finish	art.	L	glass t
Rubber	black	A19/0004-D-B-100	100	12-21,52
	gray	A19/0004-D-G-100		

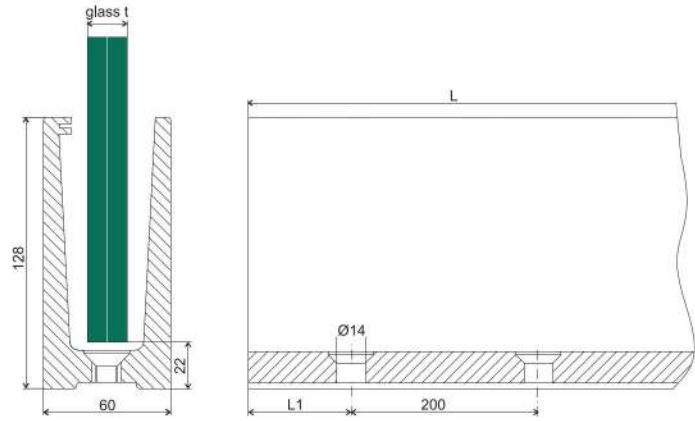


Material	Finish	art.
AISI304	satín	A19/005-pin

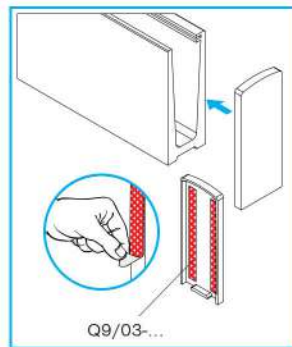


AL ANCHORS 34-35

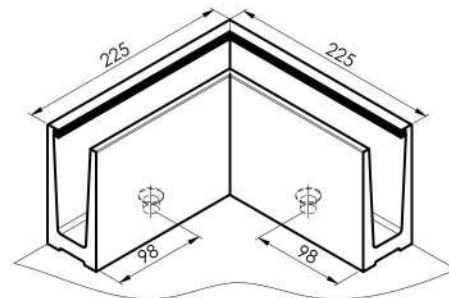
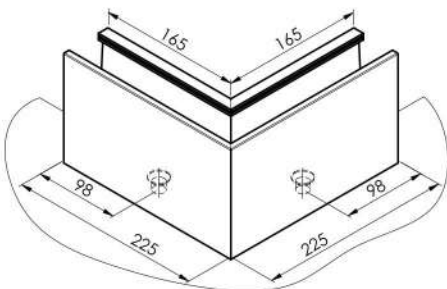
AL/0004-ECO	5pcs/m			5pcs/m			
				5pcs/m	5pcs/m	5pcs/m	1pcs/2,5m



Material	Finish	Effect	art.	L	L1	G/h	glass t
ANODIZED ALUMINIUM	satin	silver	AL/0008-2500-S-E	2500	50	3KN	21,52-25,52
			AL/0008-5000-S-E	5000	100		



Material	Finish	Effect	art.
ANODIZED ALUMINIUM	satin	silver	AL/0038-004-S-E



Material	Finish	Effect	art.
ANODIZED ALUMINIUM	satin	silver	AL/0008-S-E-90-IN

Material	Finish	Effect	art.
ANODIZED ALUMINIUM	satin	silver	AL/0008-S-E-90-OUT

MODEL 0008

Glass t (mm)	L (m)	FIX-SET (pack)
21,52 (1010.4)	2,5	A19/0004-012-02.5
	5	A19/0004-012-05.0
	25	A19/0004-012-25.0
25,52 (1212.4)	2,5	A19/0004-017-02.5
	5	A19/0004-017-05.0
	25	A19/0004-017-25.0



Quality	Finish	art.	L(m)	glass t
Rubber	gray	A19/0004-F-G-02.5	2,5	12-21,52
		A19/0004-F-G-05.0	5	
		A19/0004-F-G-25.0	25	

Interiér/Interior

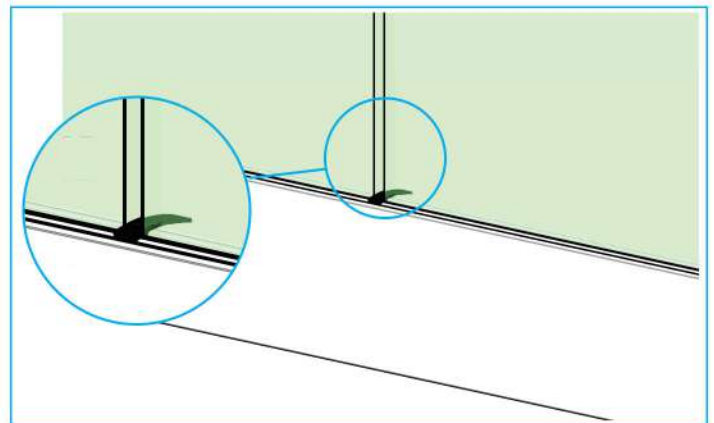


Quality	Finish	art.	L(m)	glass t
Rubber	gray	A19/0004-17-18-G-02.5	2,5	16,76-17,52
		A19/0004-17-18-G-05.0	5	
		A19/0004-17-18-G-25.0	25	

Interiér/Interior

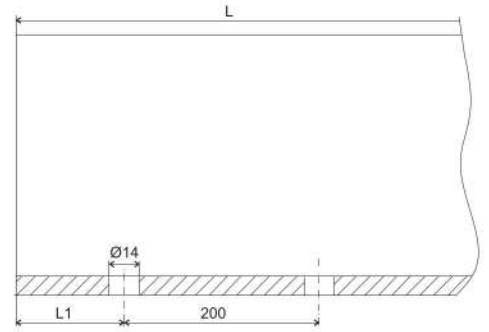
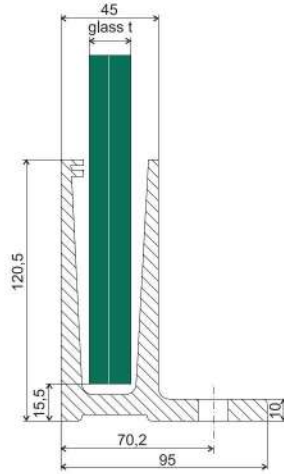


Quality	Finish	art.	L	glass t
Rubber	black	A19/0004-D-B-100	100	12-21,52
	gray	A19/0004-D-G-100		



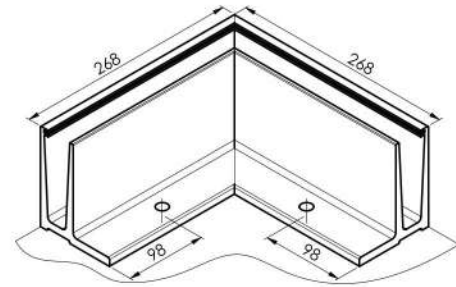
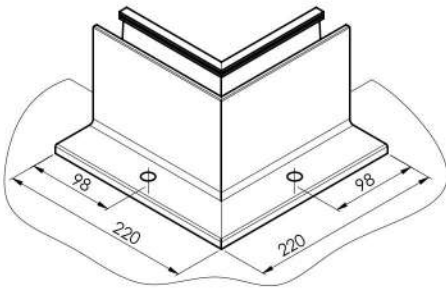
AL/0008			+	
		AL ANCHORS 34-35		
		5pcs/m		1pcs/2,5m





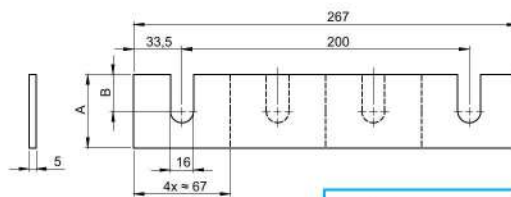
Material	Finish	Effect	art.	L	L1	G/h	glass t
ANODIZED ALUMINIUM	satin	silver	AL/0006-1250-S-E	1250			
			AL/0006-2500-S-E	2500	50		
			AL/0006-5000-S-E	5000	100	1kN	12,00-21,52
			AL/0006-6000-S-E	6000			

top

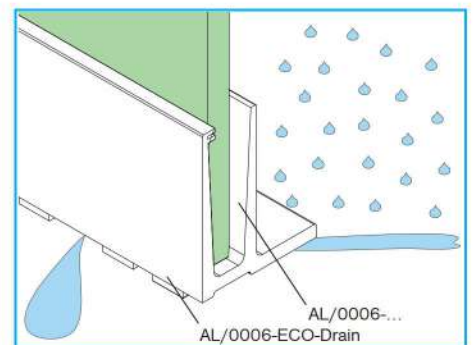


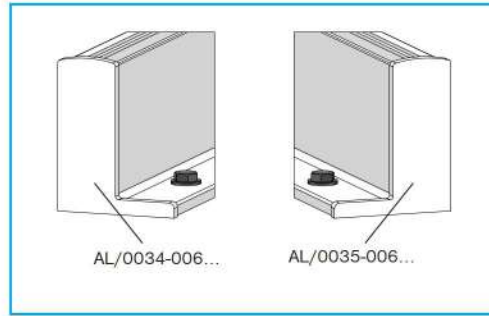
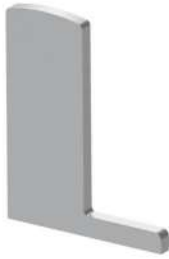
Material	Finish	Effect	art.
ANODIZED ALUMINIUM	satin	silver	AL/0006-S-E-90-IN

Material	Finish	Effect	art.
ANODIZED ALUMINIUM	satin	silver	AL/0006-S-E-90-OUT

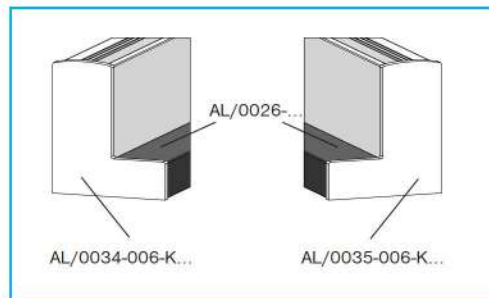
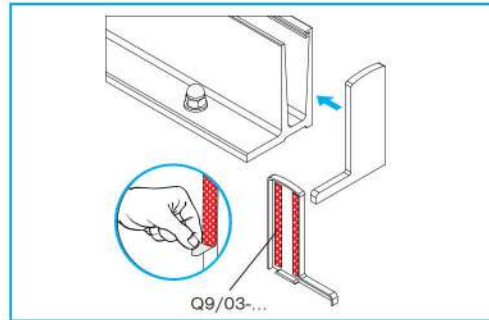


Material	Finish	art.	compatibility	A	B	Pcs/m
AISI304	satin	A/0006-ECO-Drain	AL/0006-...-S-E	100	76	2,5

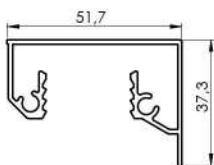




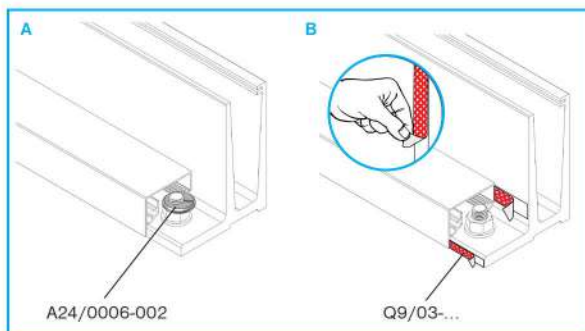
Material	Finish	Effect	art.
ANODIZED ALUMINIUM	satin	silver	AL/0034-006-S-E
			AL/0035-006-S-E



Material	Finish	Effect	art.
ANODIZED ALUMINIUM	satin	silver	AL/0034-006-K-S-E
			AL/0035-006-K-S-E



Material	Finish	Effect	art.	L
ANODIZED ALUMINIUM	satin	silver	AL/0026-2500-S-E	2500
			AL/0026-5000-S-E	5000
			AL/0026-6000-S-E	6000

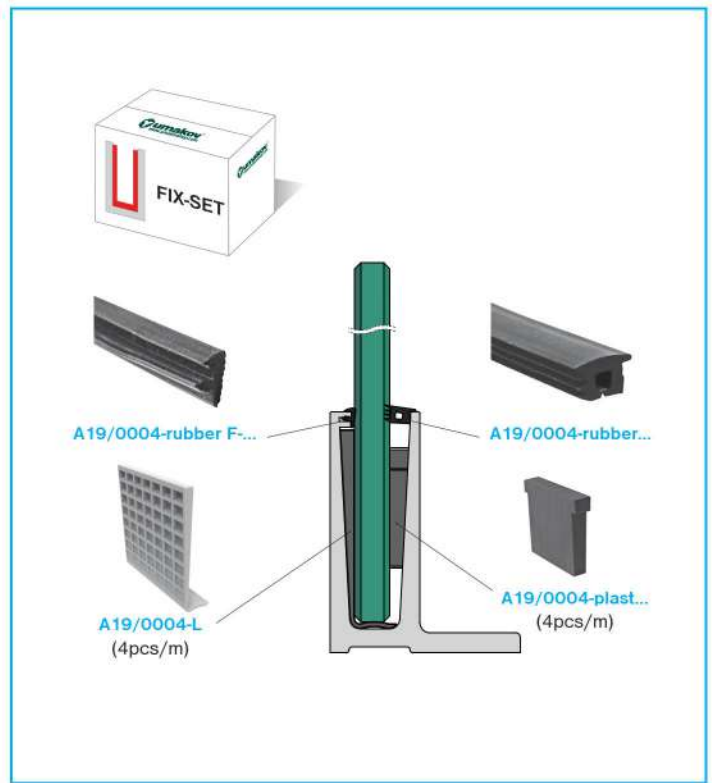


Glass t (mm)	L (m)	FIX-SET (pack)
12 (12)	2,5	A19/0004-012-02.5
	5	A19/0004-012-05.0
	25	A19/0004-012-25.0
12,76 (66.2)	2,5	A19/0004-013-02.5
	5	A19/0004-013-05.0
	25	A19/0004-013-25.0
16,76 (88.2)	2,5	A19/0004-017-02.5
	5	A19/0004-017-05.0
	25	A19/0004-017-25.0
17,52 (88.4)	2,5	A19/0004-018-02.5
	5	A19/0004-018-05.0
	25	A19/0004-018-25.0
20,76 (1010.2)	2,5	A19/0004-021-02.5
	5	A19/0004-021-05.0
	25	A19/0004-021-25.0
21,52 (1010.4)	2,5	A19/0004-022-02.5
	5	A19/0004-022-05.0
	25	A19/0004-022-25.0



Quality	Finish	art.	L(m)	glass t
Rubber	gray	A19/0004-F-G-02.5	2,5	12-21,52
		A19/0004-F-G-05.0	5	
		A19/0004-F-G-25.0	25	

Interiér/Interior

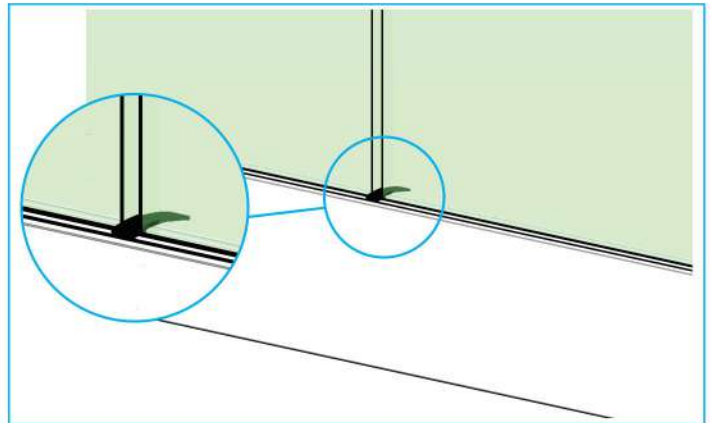


Quality	Finish	art.	L(m)	glass t
Rubber	gray	A19/0004-17-18-G-02.5	2,5	16,76-17,52
		A19/0004-17-18-G-05.0	5	
		A19/0004-17-18-G-25.0	25	









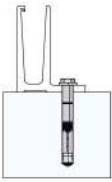
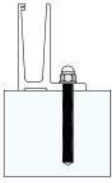


Interiér/Interior

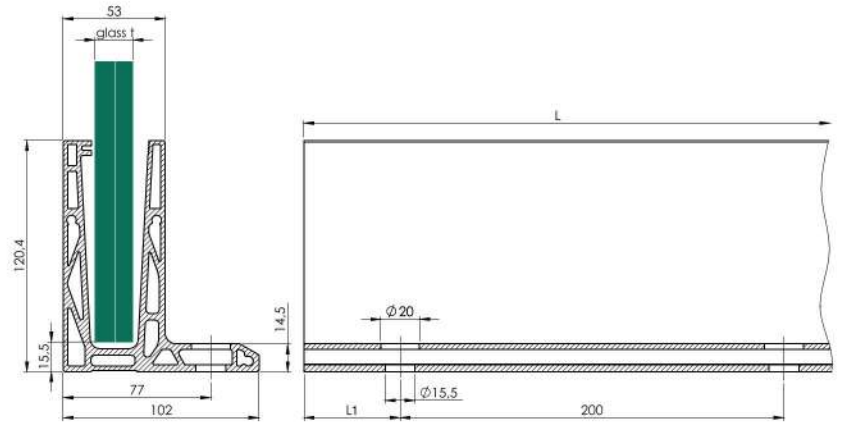


Quality	Finish	art.	L	glass t
Rubber	black	A19/0004-D-B-100	100	12-21,52
	gray	A19/0004-D-G-100		

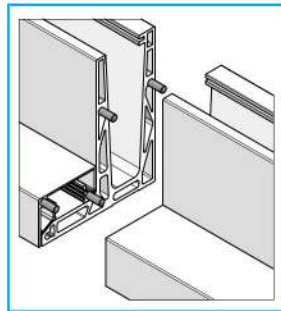


AL/0006 ¹		 	 	 + 		
	AL/0026-...	A24/0006-003	AL ANCHORS   34-35			
	✓	2pcs/m	5pcs/m	5pcs/m	1pcs/m	1pcs/2,5m

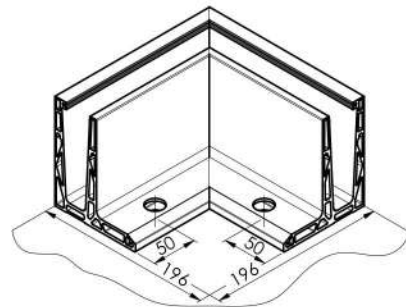
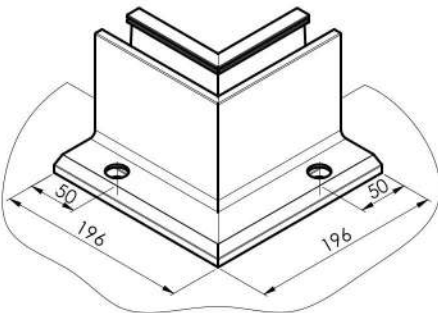
AL/0006 ²			 	 + 		
		AL ANCHORS   34-35				
	5pcs/m					
		5pcs/m	5pcs/m	1pcs/m	1pcs/2,5m	
						



Material	Finish	Effect	art.	L	L1	G/h	glass t
ANODIZED ALUMINIUM	satin		AL/0006-ECO-2500-S-E	2500	50		
		silver	AL/0006-ECO-5000-S-E	5000	100		
			AL/0006-ECO-6000-S-E	6000	100	1kN	12,00-21,52
	black		AL/0006-ECO-2500-S-EB	2500	50		
			AL/0006-ECO-5000-S-EB	5000	100		

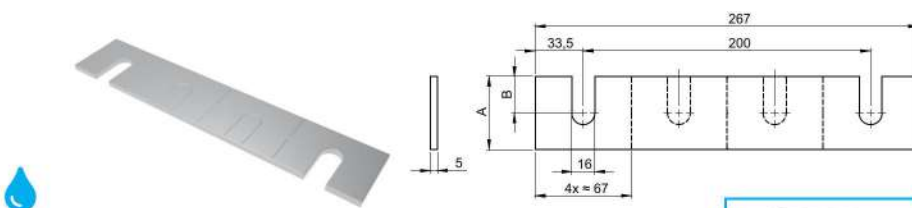


Material	Finish	art.
AISI304	satin	A19/005-pin

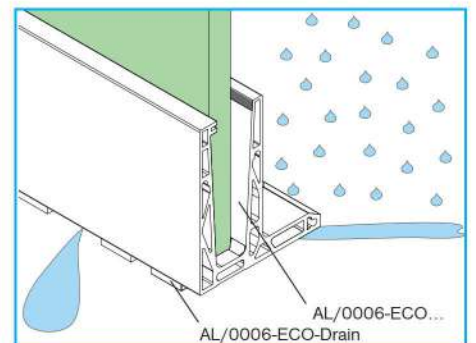
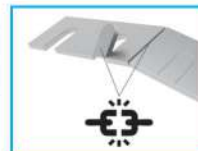


Material	Finish	Effect	art.
ANODIZED ALUMINIUM	satin	silver	AL/0006-ECO-S-E-90-IN
		black	AL/0006-ECO-S-EB-90-IN

Material	Finish	Effect	art.
ANODIZED ALUMINIUM	satin	silver	AL/0006-ECO-S-E-90-OUT
		black	AL/0006-ECO-S-EB-90-OUT



Material	Finish	art.	compatibility	A	B	Pcs/m
AISI304	satin	A/0006-ECO-Drain	AL/0006-ECO-...-S-E AL/0006-ECO-...-S-EB	100	76	2,5



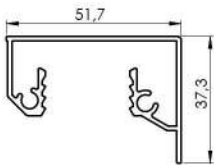
MODEL 0006-ECO



Material	Finish	Effect	art.
ANODIZED ALUMINIUM	satin	silver	AL/0034-006-ECO-S-E
			AL/0035-006-ECO-S-E
		black	AL/0034-006-ECO-S-EB
			AL/0035-006-ECO-S-EB
AISI304			A/0034-006-ECO
			A/0035-006-ECO



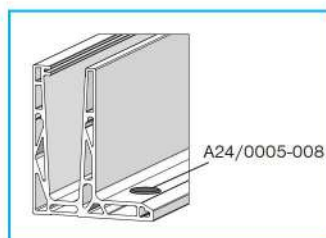
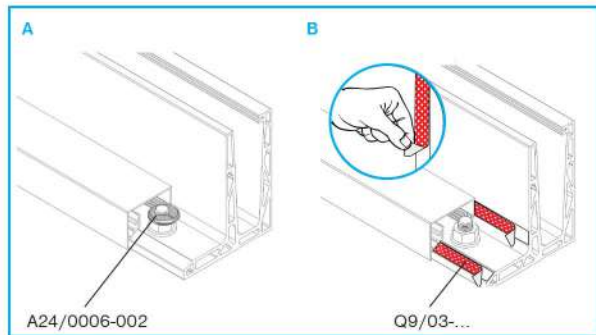
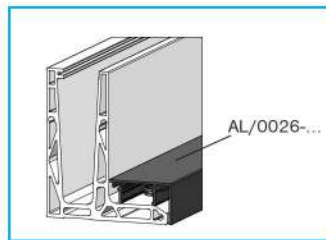
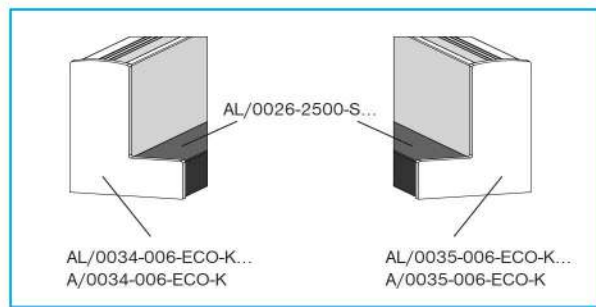
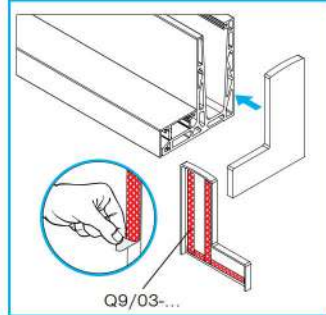
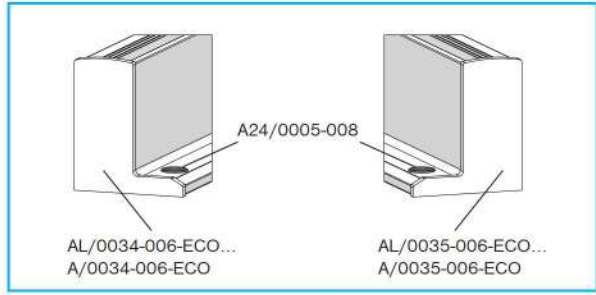
Material	Finish	Effect	art.
ANODIZED ALUMINIUM	satin	silver	AL/0034-006-ECO-K-S-E
			AL/0035-006-ECO-K-S-E
		black	AL/0034-006-ECO-K-S-EB
			AL/0035-006-ECO-K-S-EB
AISI304			A/0034-006-ECO-K
			A/0035-006-ECO-K



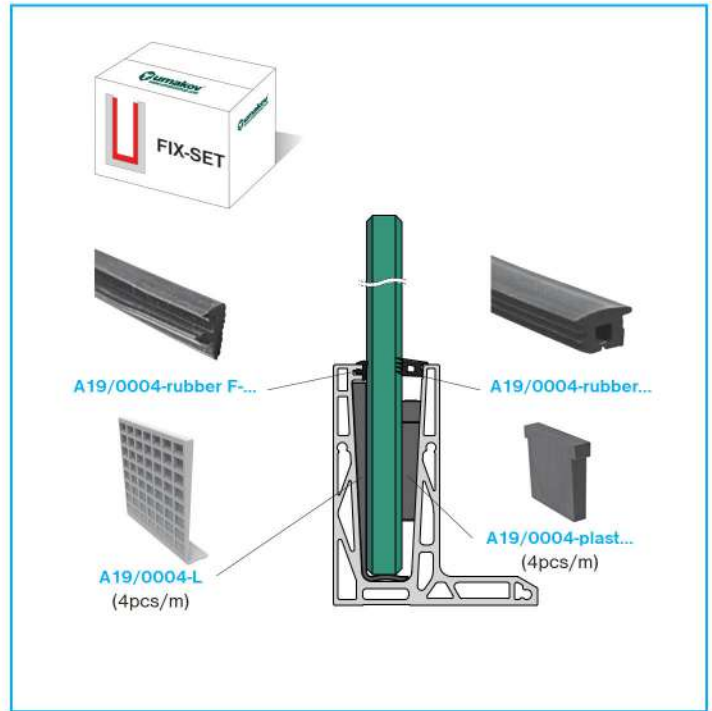
Material	Finish	Effect	art.	L
ANODIZED ALUMINIUM	satin	silver	AL/0026-2500-S-E	2500
			AL/0026-5000-S-E	5000
			AL/0026-6000-S-E	6000
		black	AL/0026-2500-S-EB	2500
			AL/0026-5000-S-EB	5000



Quality	Finish	art.
PVC	gray	A24/0005-008



Glass t (mm)	L (m)	FIX-SET (pack)
12 (12)	2,5	A19/0004-012-02.5
	5	A19/0004-012-05.0
	25	A19/0004-012-25.0
12,76 (66.2)	2,5	A19/0004-013-02.5
	5	A19/0004-013-05.0
	25	A19/0004-013-25.0
16,76 (88.2)	2,5	A19/0004-017-02.5
	5	A19/0004-017-05.0
	25	A19/0004-017-25.0
17,52 (88.4)	2,5	A19/0004-018-02.5
	5	A19/0004-018-05.0
	25	A19/0004-018-25.0
20,76 (1010.2)	2,5	A19/0004-021-02.5
	5	A19/0004-021-05.0
	25	A19/0004-021-25.0
21,52 (1010.4)	2,5	A19/0004-022-02.5
	5	A19/0004-022-05.0
	25	A19/0004-022-25.0



Quality	Finish	art.	L(m)	glass t
Rubber	gray	A19/0004-F-G-02.5	2,5	12-21,52
		A19/0004-F-G-05.0	5	
		A19/0004-F-G-25.0	25	

Intenier/Interior

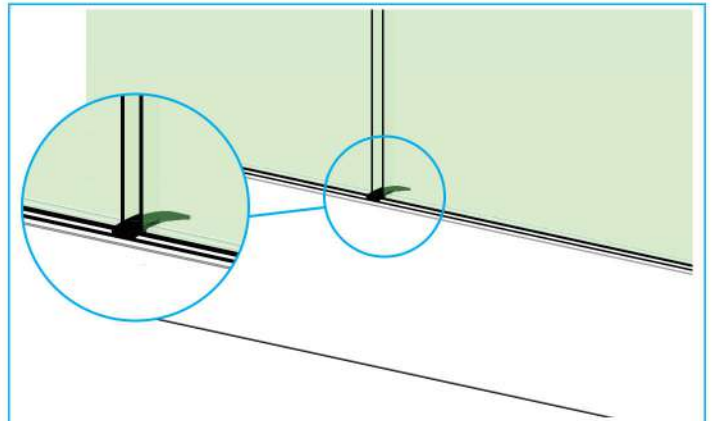


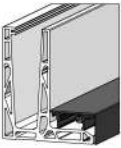
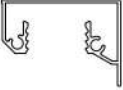







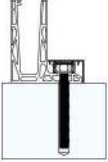
Quality	Finish	art.	L(m)	glass t
Rubber	gray	A19/0004-17-18-G-02.5	2,5	16,76-17,52
		A19/0004-17-18-G-05.0	5	
		A19/0004-17-18-G-25.0	25	










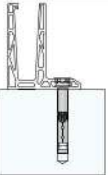
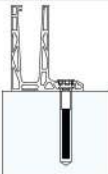
Intenier/Interior

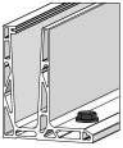







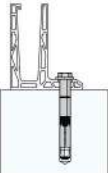
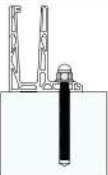




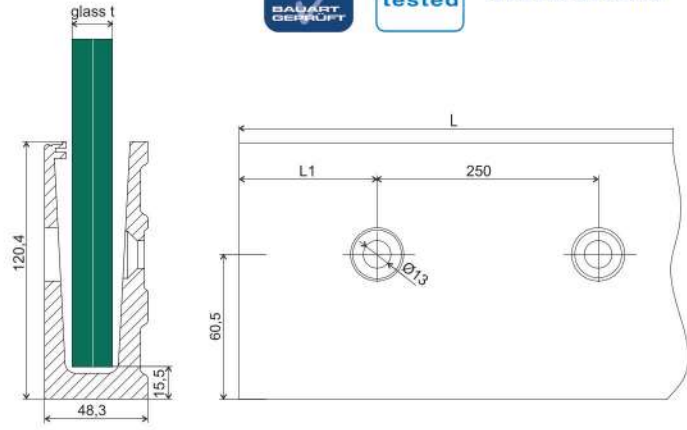
Quality	Finish	art.	L	glass t
Rubber	black	A19/0004-D-B-100	100	12-21,52
	gray	A19/0004-D-G-100		



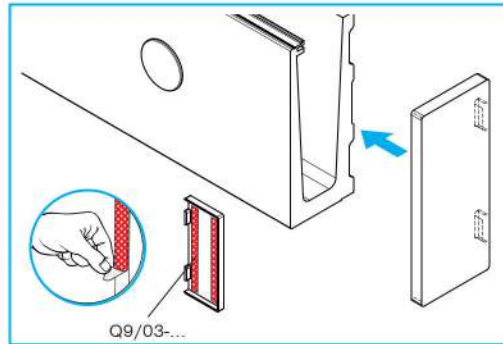
AL/0006-ECO ¹							+	
	AL/0026-...	A24/0006-003	AL ANCHORS   34-35					
		✓	2pcs/m	5pcs/m	5pcs/m	1pcs/m	1pcs/2,5m	

AL/0006-ECO ²							+	
	A24/0005-008	AL ANCHORS   34-35						
		5pcs/m	5pcs/m	5pcs/m	5pcs/m			
	5pcs/m		5pcs/m	5pcs/m	5pcs/m	1pcs/2,5m		

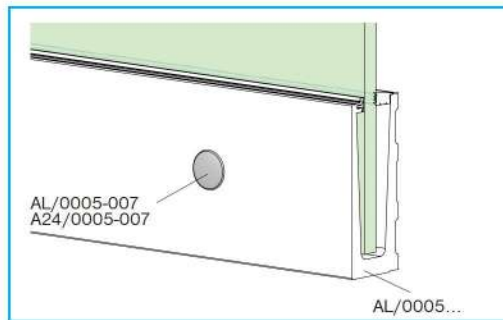
AL/0006-ECO ³						+		
		AL ANCHORS   34-35						
		5pcs/m						
		5pcs/m	5pcs/m	1pcs/m	1pcs/2,5m			
								



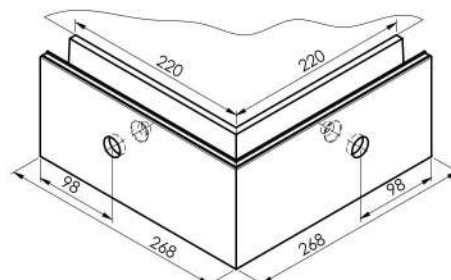
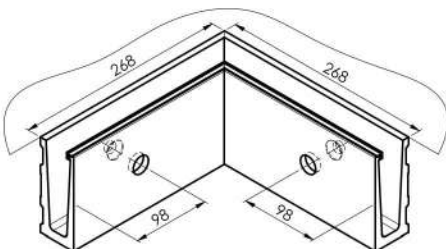
Material	Finish	Effect	art.	L	L1	G/h	glass t
ANODIZED ALUMINIUM	satin	silver	AL/0005-D-1250-S-E	1250	125	1kN	12,00 - 21,52
			AL/0005-D-2500-S-E	2500			
			AL/0005-D-5000-S-E	5000			
		black	AL/0005-D-6000-S-E	6000			
			AL/0005-D-2500-S-EB	2500			
			AL/0005-D-5000-S-EB	5000			



Material	Finish	Effect	art.
ANODIZED ALUMINIUM	satin	silver	AL/0034-005-D-S-E
		black	AL/0034-005-D-S-EB



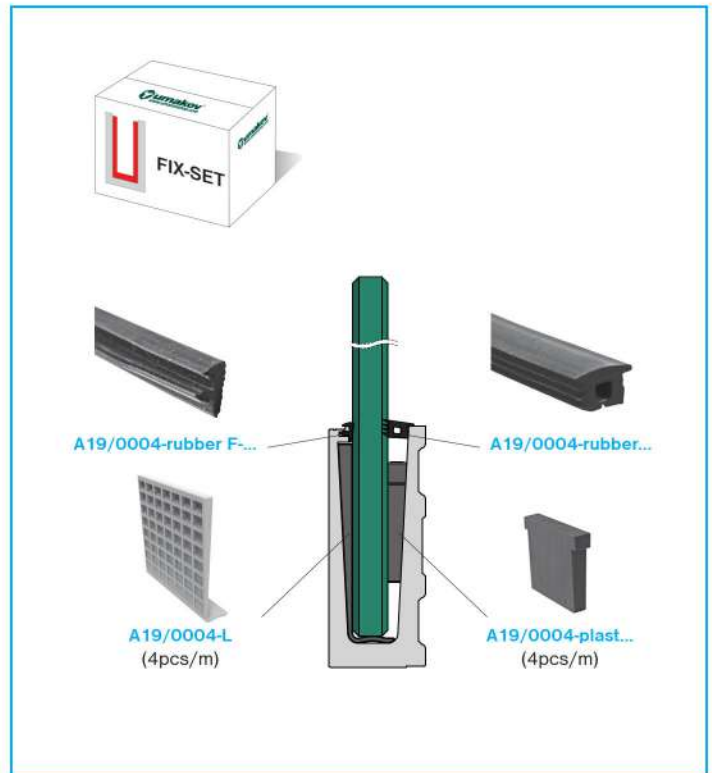
Material	Finish	art.
ANODIZED ALUMINIUM	satin	AL/0005-007
PVC	gray	A24/0005-007



Material	Finish	Effect	art.
ANODIZED ALUMINIUM	satin	silver	AL/0005-D-S-E-90-IN
		black	AL/0005-D-S-EB-90-IN

Material	Finish	Effect	art.
ANODIZED ALUMINIUM	satin	silver	AL/0005-D-S-E-90-OUT
		black	AL/0005-D-S-EB-90-OUT

Glass t (mm)	L (m)	FIX-SET (pack)
12 (12)	2,5	A19/0004-012-02.5
	5	A19/0004-012-05.0
	25	A19/0004-012-25.0
12,76 (66.2)	2,5	A19/0004-013-02.5
	5	A19/0004-013-05.0
	25	A19/0004-013-25.0
16,76 (88.2)	2,5	A19/0004-017-02.5
	5	A19/0004-017-05.0
	25	A19/0004-017-25.0
17,52 (88.4)	2,5	A19/0004-018-02.5
	5	A19/0004-018-05.0
	25	A19/0004-018-25.0
20,76 (1010.2)	2,5	A19/0004-021-02.5
	5	A19/0004-021-05.0
	25	A19/0004-021-25.0
21,52 (1010.4)	2,5	A19/0004-022-02.5
	5	A19/0004-022-05.0
	25	A19/0004-022-25.0

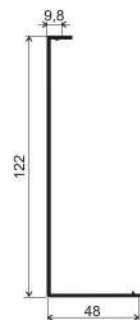
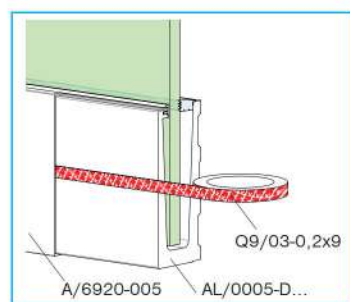
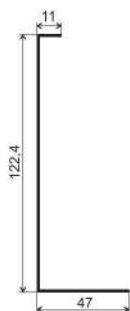


Quality	Finish	art.	L(m)	Glass t
Rubber	gray	A19/0004-F-G-02.5	2,5	12-21,52
		A19/0004-F-G-05.0	5	
		A19/0004-F-G-25.0	25	

Interiér/Interior

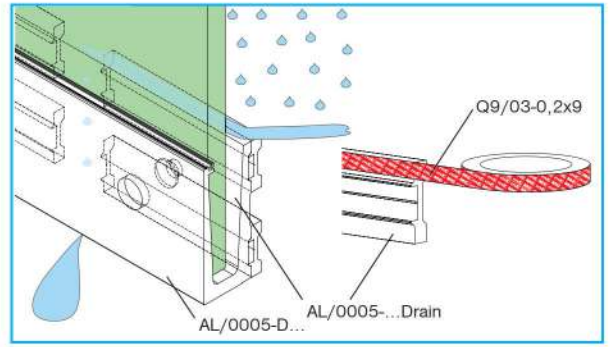
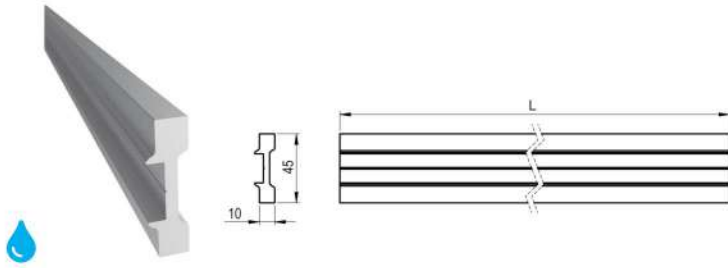
Quality	Finish	art.	L(m)	Glass t
Rubber	gray	A19/0004-17-18-G-02.5	2,5	16,76-17,52
		A19/0004-17-18-G-05.0	5	
		A19/0004-17-18-G-25.0	25	

Interiér/Interior



Material	Finish	art.	L	Q9/03...
AlSi304	satín	A/6920-005	2500	✓

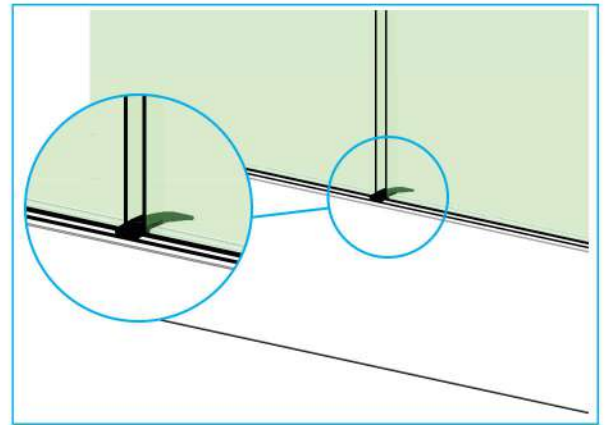
Material	Finish	Effect	art.	L	Q9/03...
ANODIZED ALUMINIUM	satín	silver	AL/0044-2500-S-E	2500	✓
			AL/0044-5000-S-E	5000	
		black	AL/0044-2500-S-EB	2500	
			AL/0044-5000-S-EB	5000	



Material	Finish	Effect	art.	compatibility	L
ANODIZED ALUMINIUM	satin	silver	AL/0005-S-E-1250-Drain	AL/0005-D-1250-S-E AL/0005-D-2500-S-E	1250
			AL/0005-S-E-2500-Drain	AL/0005-D-5000-S-E AL/0005-D-6000-S-E	
	black		AL/0005-S-EB-2500-Drain	AL/0005-D-2500-S-EB AL/0005-D-5000-S-EB	2500



Quality	Finish	art.	L	glass t
Rubber	black	A19/0004-D-B-100	100	12-21,52
	gray	A19/0004-D-G-100		



		 AL ANCHORS → 34-35	
AL/0005-D		5pcs/m	
			5pcs/m 1pcs/2,5m





Material	Finish	Effect
ANODIZED ALUMINIUM	satin	silver



Material	Finish	Effect
ANODIZED ALUMINIUM	satin	INOX - Exclusive



Material	Finish	Effect
ANODIZED ALUMINIUM	satin	INOX



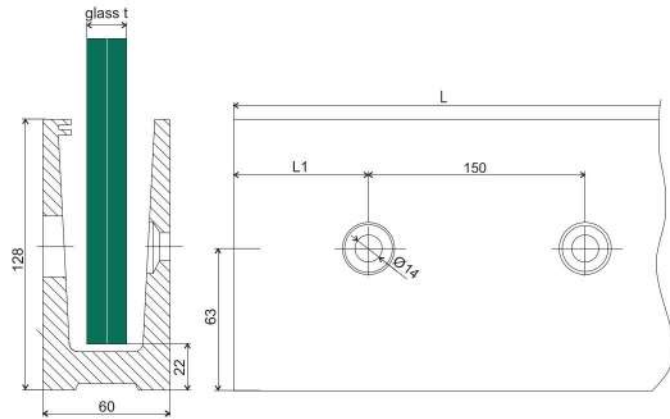
Material	Finish	Effect
ANODIZED ALUMINIUM	satin	black



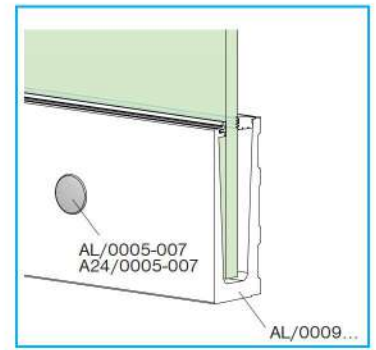
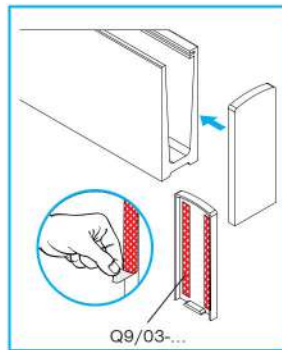
Material	Finish	Effect
ANODIZED ALUMINIUM	natural	silver



Material	Finish
ANODIZED ALUMINIUM	RAL

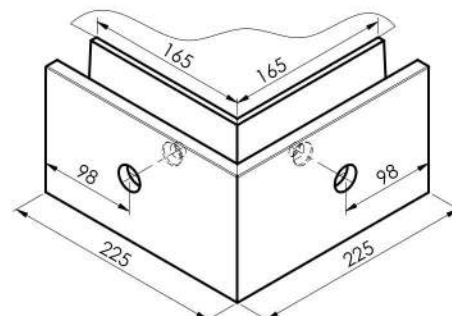
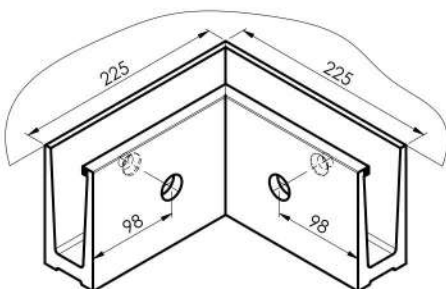


Material	Finish	Effect	art.	L	L1	G/h	glass t
ANODIZED ALUMINIUM	satin	silver	AL/0009-2500-S-E	2500	50	3kN	21,52-25,52
			AL/0009-5000-S-E	5000	100		



Material	Finish	Effect	art.
ANODIZED ALUMINIUM	satin	silver	AL/0038-004-S-E

Material	Finish	art.
ANODIZED ALUMINIUM	satin	AL/0005-007
PVC	gray	A24/0005-007



Material	Finish	Effect	art.
ANODIZED ALUMINIUM	satin	silver	AL/0009-S-E-90-IN

Material	Finish	Effect	art.
ANODIZED ALUMINIUM	satin	silver	AL/0009-S-E-90-OUT

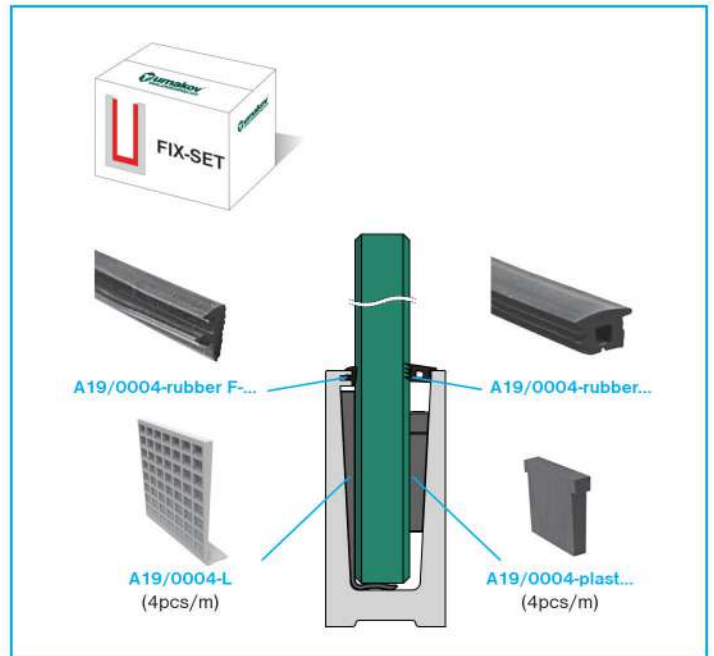
MODEL 0009

Glass t (mm)	L (m)	FIX-SET (pack)
21,52 (1010.4)	2,5	A19/0004-012-02.5
	5	A19/0004-012-05.0
	25	A19/0004-012-25.0
25,52 (1212.4)	2,5	A19/0004-017-02.5
	5	A19/0004-017-05.0
	25	A19/0004-017-25.0



Quality	Finish	art.	L(m)	glass t
Rubber	gray	A19/0004-F-G-02.5	2,5	12-21,52
		A19/0004-F-G-05.0	5	
		A19/0004-F-G-25.0	25	

Interiér/Interior

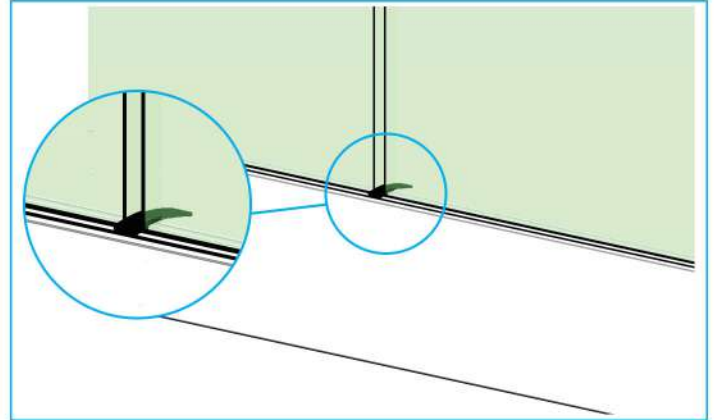


Quality	Finish	art.	L(m)	glass t
Rubber	gray	A19/0004-17-18-G-02.5	2,5	16,76-17,52
		A19/0004-17-18-G-05.0	5	
		A19/0004-17-18-G-25.0	25	

Interiér/Interior

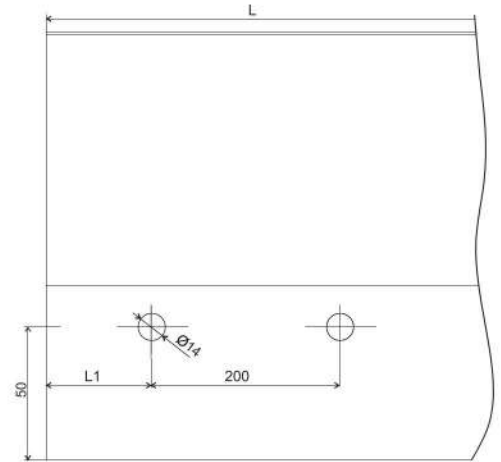
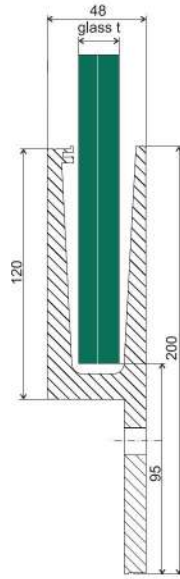


Quality	Finish	art.	L	glass t
Rubber	black	A19/0004-D-B-100	100	12-21,52
	gray	A19/0004-D-G-100		



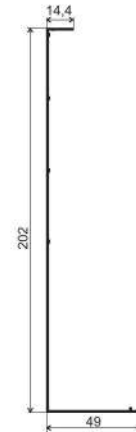
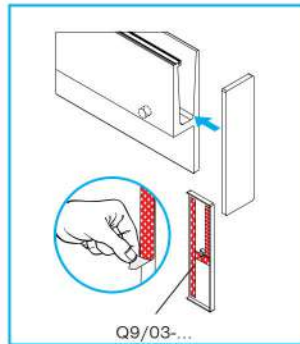
	AL ANCHORS 34-35	
	<table border="0"> <tr> <td>7 pcs/m</td> <td>1pcs/2m</td> </tr> </table>	7 pcs/m
7 pcs/m	1pcs/2m	





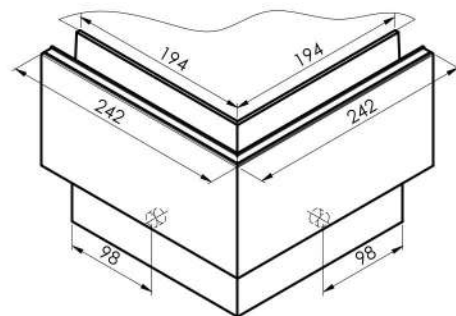
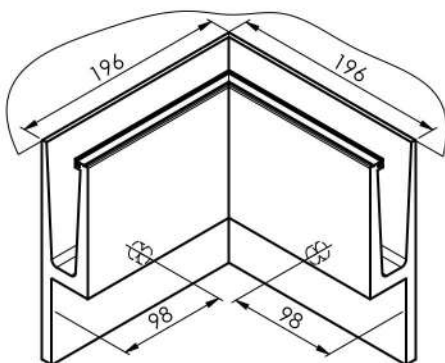
Material	Finish	Effect	art.	L	L1	G/h	glass t
ANODIZED ALUMINIUM	natural	silver	AL/0011-1250-N-E	1250		1kN	12-21,52
			AL/0011-2500-N-E	2500	50		
			AL/0011-5000-N-E	5000	100		
		black	AL/0011-2500-N-EB	2500	50		
			AL/0011-5000-N-EB	5000	100		

top



Material	Finish	Effect	art.
ANODIZED ALUMINIUM	satin	silver	AL/0034-011-S-E
		black	AL/0034-011-S-EB

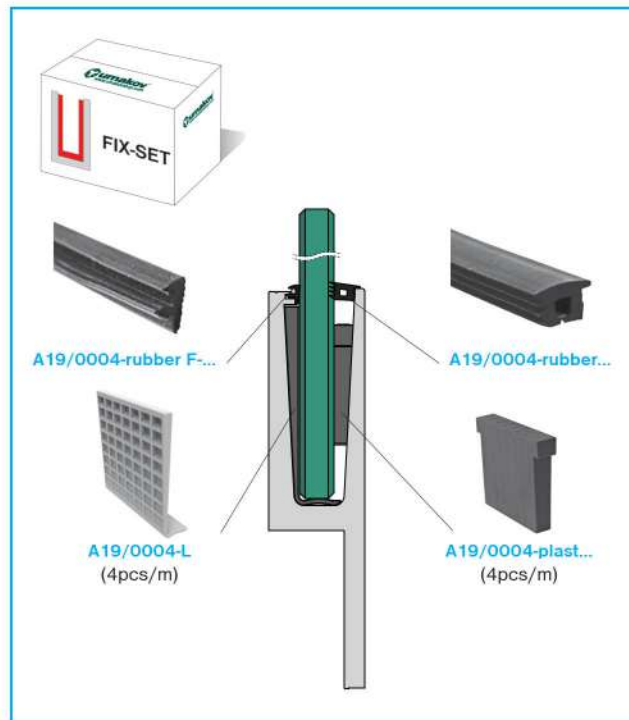
Material	Finish	Effect	art.	L
ANODIZED ALUMINIUM	satin	silver	AL/0045-2500-S-E	2500
			AL/0045-5000-S-E	5000
		black	AL/0045-2500-S-EB	2500
			AL/0045-5000-S-EB	5000



Material	Finish	Effect	art.
ANODIZED ALUMINIUM	satin	silver	AL/0011-N-E-90-IN
	natural	black	AL/0011-N-EB-90-IN

Material	Finish	Effect	art.
ANODIZED ALUMINIUM	satin	silver	AL/0011-N-E-90-OUT
	natural	black	AL/0011-N-EB-90-OUT

Glass t (mm)	L (m)	FIX-SET (pack)
12 (12)	2,5	A19/0004-012-02.5
	5	A19/0004-012-05.0
	25	A19/0004-012-25.0
12,76 (66.2)	2,5	A19/0004-013-02.5
	5	A19/0004-013-05.0
	25	A19/0004-013-25.0
16,76 (88.2)	2,5	A19/0004-017-02.5
	5	A19/0004-017-05.0
	25	A19/0004-017-25.0
17,52 (88.4)	2,5	A19/0004-018-02.5
	5	A19/0004-018-05.0
	25	A19/0004-018-25.0
20,76 (1010.2)	2,5	A19/0004-021-02.5
	5	A19/0004-021-05.0
	25	A19/0004-021-25.0
21,52 (1010.4)	2,5	A19/0004-022-02.5
	5	A19/0004-022-05.0
	25	A19/0004-022-25.0



Quality	Finish	art.	L(m)	glass t
Rubber	gray	A19/0004-F-G-02.5	2,5	12-21,52
		A19/0004-F-G-05.0	5	
		A19/0004-F-G-25.0	25	

Interiér/Interior

Quality	Finish	art.	L(m)	glass t
Rubber	gray	A19/0004-17-18-G-02.5	2,5	16,76-17,52
		A19/0004-17-18-G-05.0	5	
		A19/0004-17-18-G-25.0	25	

Interiér/Interior







Quality	Finish	art.	L	glass t
Rubber	black	A19/0004-D-B-100	100	12-21,52
	gray	A19/0004-D-G-100		



AL ANCHORS → 34-35

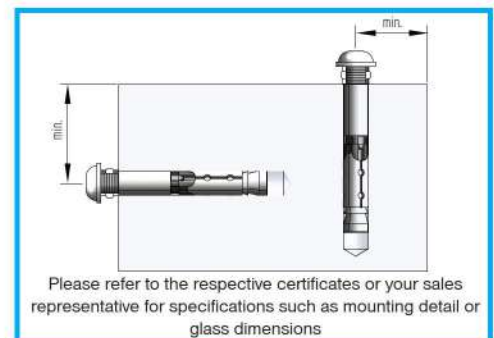
AL/0011		5pcs/m			
			5pcs/m	5pcs/m	1pcs/m

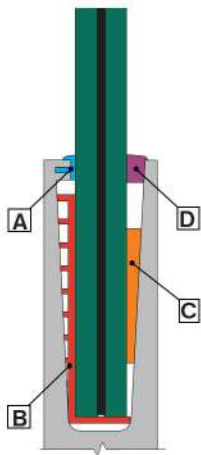
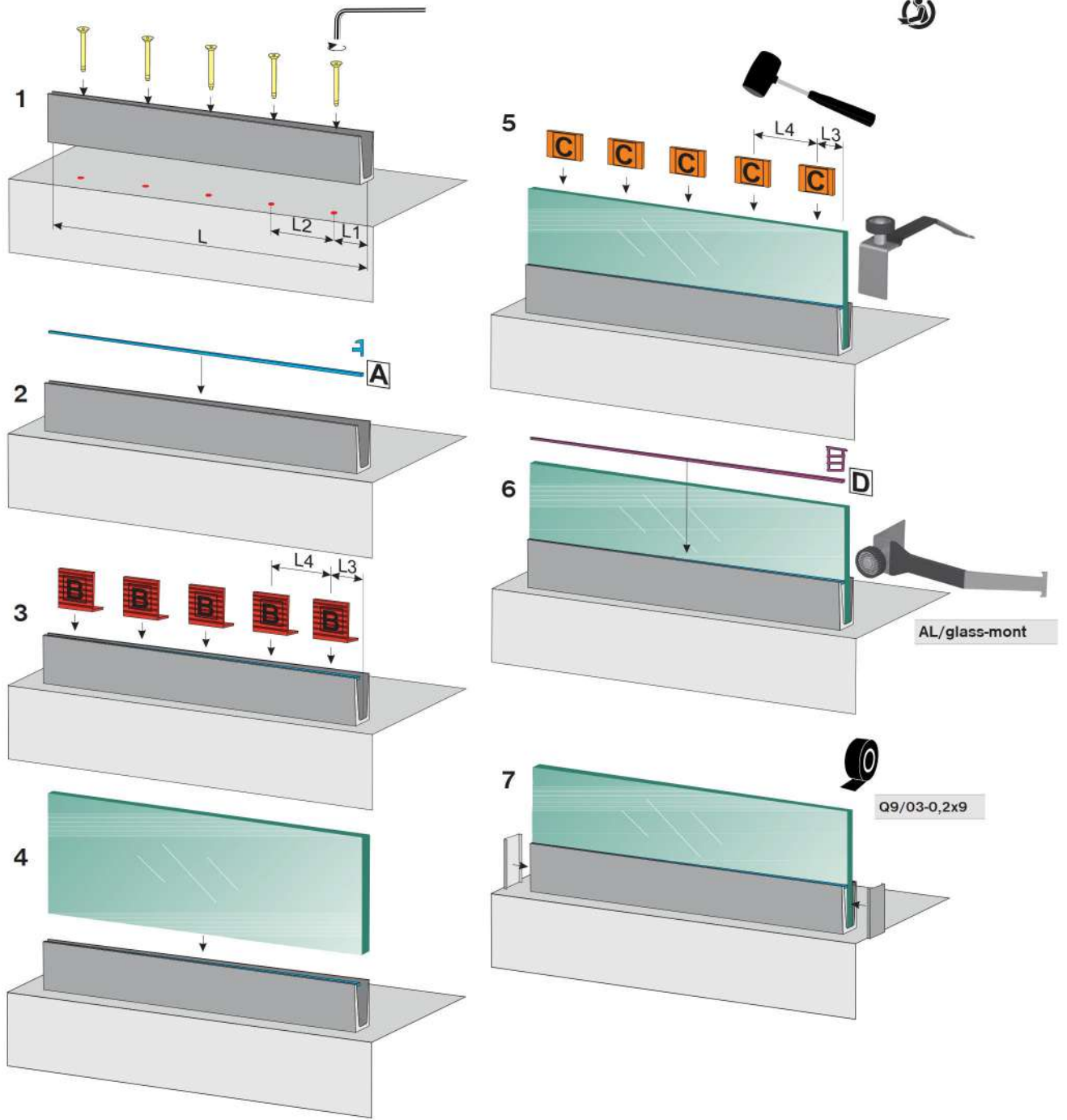


										
		NON-CERTIFIED ANCHORS			FASTENERS			 CERTIFIED ANCHORS - ETA option 1 *		
AL/0004	IN									
	OUT	A5/08-105x11xM8	Q5/01TK-300							
	IN				W-DIN 7991 M8x20-P			Q5/08-VH-G-M8-100/S...	Q5/01-WIT-UH300...	
	OUT				W-DIN 7991-A4 M8x20-P			A5/08-VH-G-M8-100/A4...	Q5/01-WIT-UH300...	
AL/0004-A	IN									Q5/08-FH12-50** A14/08-FH12-50**
	OUT									Q5/08-HAZ-M8-80SK/S... A5/08-HAZ-M8-80SK/A4...
	IN									Q5/08-FH12-50
	OUT									A14/08-FH12-50
AL/0004-ECO 3kN	IN									
	OUT	A19/27-M10	Q5/01TK-300		A-DIN 7380-A2 M10x20		A-DIN 125-A2 M10			
	IN				DIN 7380 M10x20 8.8-Zn		DIN 125 10-Zn	Q5/08-VH-G-M10-80/S...	Q5/01-WIT-UH300...	
	OUT				A4-DIN 7380 M10x20		A-DIN 125-A2 M10	A5/08-VH-G-M10-80/A4...	Q5/01-WIT-UH300...	
AL/0008	IN									
	OUT	A5/08-105x11xM8	Q5/01TK-300							
	IN				DIN 7991 M12x30 8.8-Zn			Q5/08-VH-G-M12-125/S...	Q5/01-WIT-UH300...	
	OUT				A4-DIN 7991 M12x30			A5/08-VH-G-M12-125/A4...	Q5/01-WIT-UH300...	
AL/0006 ¹	IN									
	OUT	A-DIN 975 M12	Q5/01TK-300			A-DIN 934 M12	A-DIN 125-A2 M12			
	IN							Q5/08-VM 250-M12-135...	Q5/01-WIT-VM 250...	
	OUT							A5/08-VM 250-M12-135-A4...	Q5/01-WIT-VM 250...	
AL/0006 ²	IN									
	OUT	A-DIN 975 M12	Q5/01TK-300			A-DIN 1587-A2 M12	A-DIN 125-A2 M12			
	IN									Q5/08-HAZ-M8-85S/S...
	OUT									A5/08-HAZ-M8-85S/A4...
AL/0006-ECO ¹	IN									
	OUT	A-DIN 975 M12	Q5/01TK-300			A-DIN 934 M12	A-DIN 125-A2 M12			
	IN							Q5/08-VM 250-M12-135...	Q5/01-WIT-VM 250...	
	OUT							A5/08-VM 250-M12-135-A4...	Q5/01-WIT-VM 250...	
AL/0006-ECO ²	IN									
	OUT	A19/27-M10	Q5/01TK-300		A-DIN 7380-A2 M10x20		A-DIN 125-A2 M10			
	IN				DIN 7380 M10x20 8.8-Zn		DIN 125 10-Zn	Q5/08-VH-G-M10-80/S...	Q5/01-WIT-UH300...	
	OUT				A4-DIN 7380 M10x20		A-DIN 125-A2 M10	A5/08-VH-G-M10-80/A4...	Q5/01-WIT-UH300...	

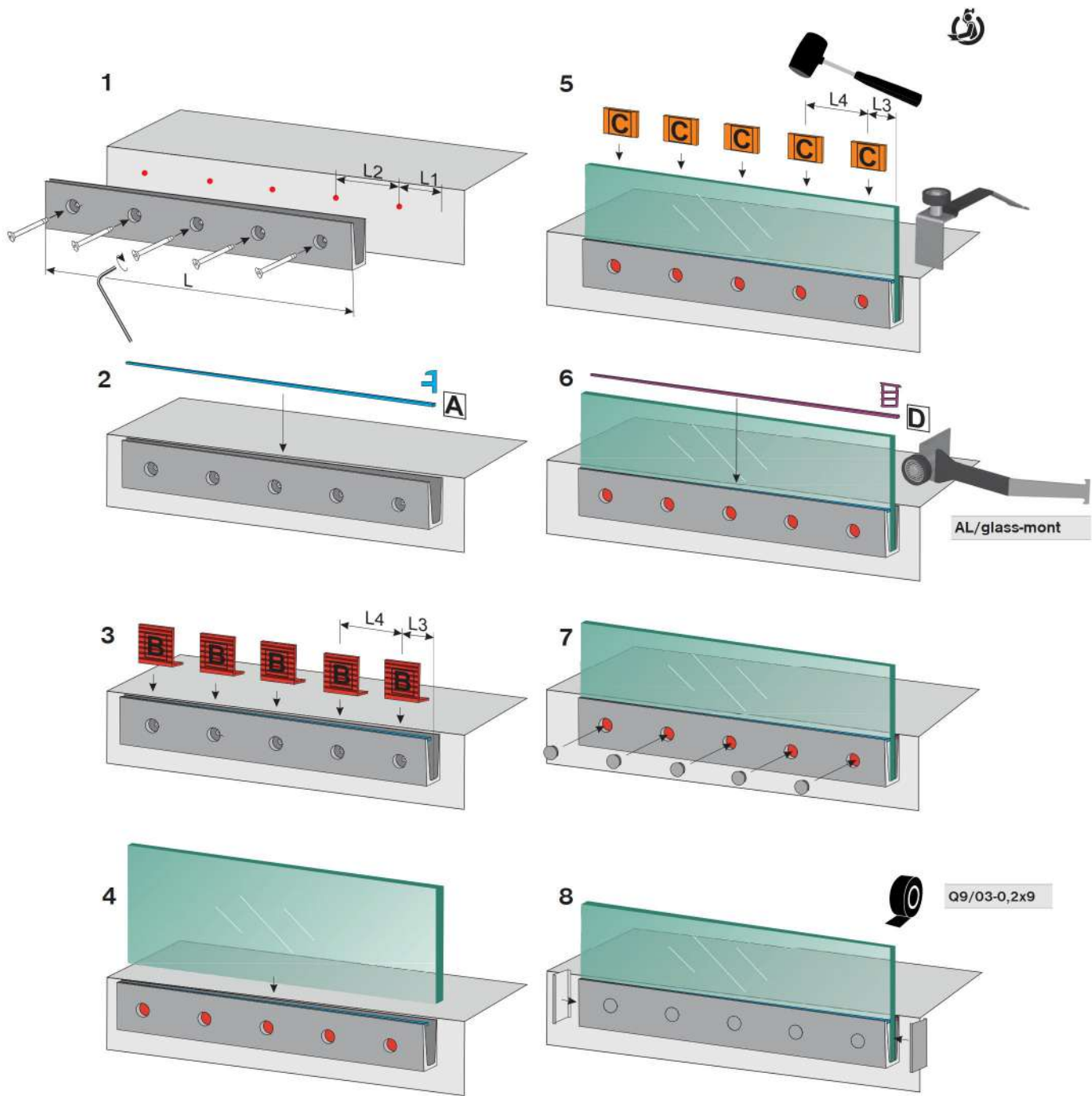
		NON-CERTIFIED ANCHORS			FASTENERS			CERTIFIED ANCHORS - ETA option 1 *		
..ECO ²	IN									Q5/08-HAZ-M8-85S/S...
	OUT									A5/08-HAZ-M8-85S/A4...
AL/0006-ECO ³	IN									
	OUT	A-DIN 975 M12	Q5/01TK-300			A-DIN 1587-A2 M12	A-DIN 125-A2 M12			
	IN				DIN 933 M10x30 8.8-Zn		DIN 9021 10-Zn	Q5/08-VH-G-M10-80/S...	Q5/01-WIT-UH300...	
	OUT				A4-DIN 933 M10x30		A-DIN 9021-A2 M10	A5/08-VH-G-M10-80/A4...	Q5/01-WIT-UH300...	
	IN									Q5/08-HAZ-M10-106S/S...
	OUT									A5/08-HAZ-M10-106S/A4...
AL/0005-D	IN									
	OUT	A5/08-105x11xM8	Q5/01TK-300							
	IN				W-DIN 7991 M8x20-P			Q5/08-VH-G-M8-100/S...	Q5/01-WIT-UH300...	
	OUT				W-DIN 7991-A4 M8x20-P			A5/08-VH-G-M8-100/A4...	Q5/01-WIT-UH300...	
	IN									Q5/08-FH12-50
	OUT									A14/08-FH12-50
	IN									Q5/08-HAZ-M8-80SK/S...
	OUT									A5/08-HAZ-M8-80SK/A4...
AL/0009	IN									
	OUT	A5/08-105x11xM8	Q5/01TK-300							
	IN				DIN 7991 M12x30 8.8-Zn			Q5/08-VH-G-M12-125/S...	Q5/01-WIT-UH300...	
	OUT				A4-DIN 7991 M12x30			A5/08-VH-G-M12-125/A4...	Q5/01-WIT-UH300...	
AL/0011	IN									
	OUT	A-DIN 975 M12	Q5/01TK-300			A-DIN 934 M12	A-DIN 125-A2 M12			
	IN							Q5/08-VM 250-M12-135...	Q5/01-WIT-VM 250...	
	OUT							A5/08-VM 250-M12-135-A4...	Q5/01-WIT-VM 250...	
	IN									Q5/-08-FBN12-30... ^{2*}
	OUT									A-Q5/08-FBN12-30... ^{2*}
	IN									Q5/08-HAZ-M8-85S/S...
	OUT									A5/08-HAZ-M8-85S/A4...

* certification "ETA option1" for cracked and uncracked concrete
^{2*} certification "ETA option7" for uncracked concrete only
^{3*} without screw
^{4*} for load ≤ 0,7kN

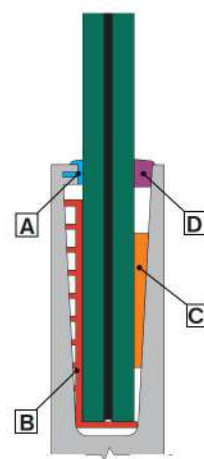




	L	L1	L2	L3	L4
 AL/0004...	1250	25	200	125	250
	2500	50			
	5000	100			
 AL/0008...	2500	50	200	125	250
	5000	100			
	5000	100			
 AL/0006...	1250	25	200	125	250
	2500	50			
	5000	100			



		L	L1	L2	L3	L4
AL/0005...	1250					
	2500			250	125	
	5000		125			250
AL/0009...	2500			150	125	
	5000					
AL/0011...	1250		25			
	2500		50	200	125	250
	5000		100			



1.2 GLASS ADAPTERS





FLEX MOUNT



FIX MOUNT



SQARE MODELS

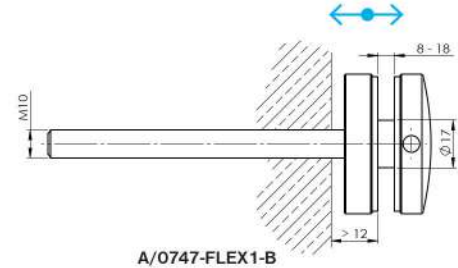
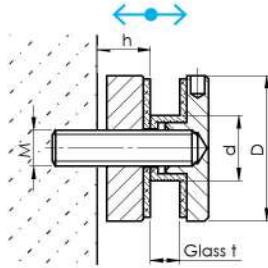


DOUBLE ADAPTERS



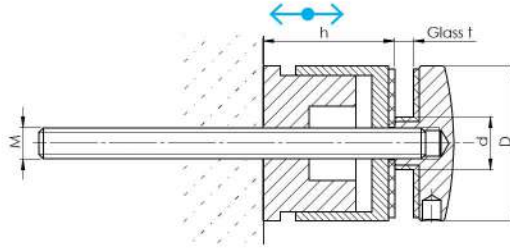
DOUBLE ADAPTERS

MODEL FLEX



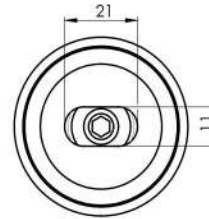
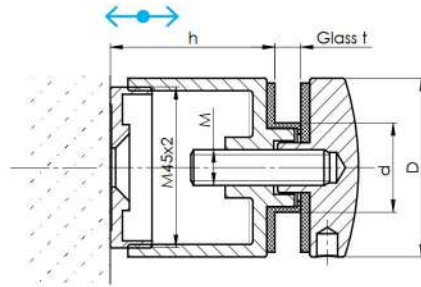
A/0747-FLEX1-B

Quality	Finish	ϕ	art.	D	h	M	glass t	d	glass hole
AISI304	satin	flat	A/0742-FLEX1	40	> 12	M10x45	8-17,52	18	20
			A/0746-FLEX1-B	30	> 10	M8x40	6-12,76	13	15
			A/0747-FLEX1-B	50	> 12	M10x130	8-17,52	17	20



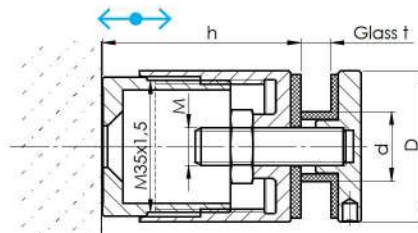
Quality	Finish	ϕ	art.	D	h	M	glass t	d	glass hole
AISI304	satin	flat	A/0747-FLEX2	50	38-58	M10x125	8-17,52	17	20
AISI316			A14/0747-FLEX2						

top

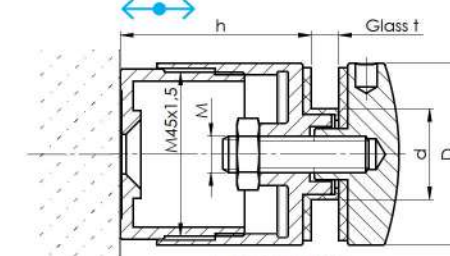
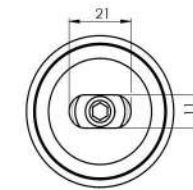


Quality	Finish	ϕ	art.	D	h	M	glass t	d	glass hole
AISI304	satin	flat	A/0747-501 FLEX2		42-47				
			A/0747-502 FLEX2	50	32-37	M10x40	8-17,52	25	30
			A/0747-503 FLEX2		52-57				

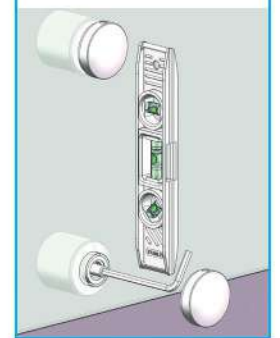
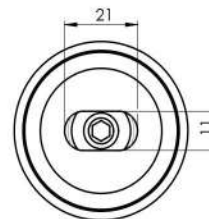
top



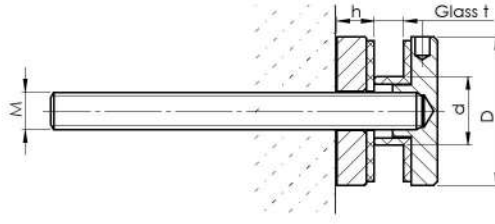
A/0742-FLEX3



A/0747-FLEX3

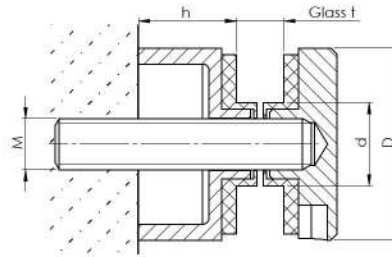


Quality	Finish	ϕ	art.	D	h	M	glass t	d	glass hole
AISI304	satin	flat	A/0742-FLEX3	40				18,5	22
			A/0747-FLEX3						
AISI316	polish		A14/0747-FLEX3	50	42-50	M10x40	8-17,52	25	30
			A14/0747-FLEX3-L						

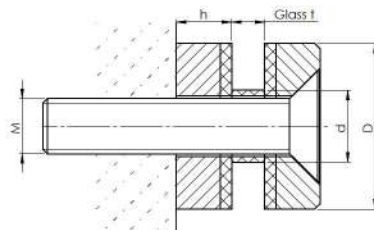


Quality	Finish	∅	art.	D	h	M	glass t	d	glass hole
AISI304	satin	flat	A/0742-000	40		M10x100		18,5	
			A/0747-000-S	50		M8x45	8-17,52	17	
	A/0747-000		50		M10x45				
	A/0749-000		60	10	M10x100	8-21,52	18,5	20	
	polish		A/0748-000	70					
AISI316	satin		A/0747-000-L			M10x45	8-17,52	17	
ZAMAK	raw		ZN/0747-000						

top

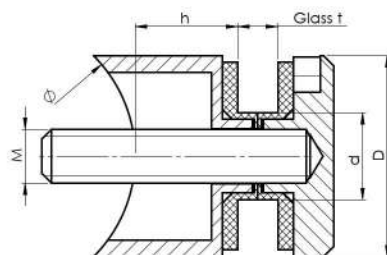


Quality	Finish	∅	art.	D	h	M	glass t	d	glass h
AISI304	satin	flat	A/0746-000		15	M8x40			
			A/0746-300		30	M8x80			
			A/0746-400	30	40	M8x80	6-12,76	13	15
	A/0746-500			50	M8x90				
	A/0747-300			30	M10x70				
	A/0747-400		50	40	M10x90	8-17,52	18	20	
	polish		A/0747-500		50	M10x90			
AISI316	satin		A/0746-000-L	30	15	M8x40	6-12,76	13	15
			A14/0746-000		15	M8x40			
			A14/0747-300	50	30	M10x70	8-17,52	18	20
ZAMAK	raw		ZN/0746-000	30	15	M8x40	6-12,76	13	15

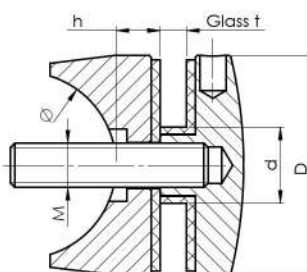


Quality	Finish	∅	art.	D	h	M	glass t	d	glass hole	
AISI304	satin	flat	A/0763-000	30			6-12,76			
			A/0764-000	40			8-17,52			
AISI316				A14/0763-000	30	10	M10x50	6-12,76	13	18
				A14/0764-000	40			8-17,52		

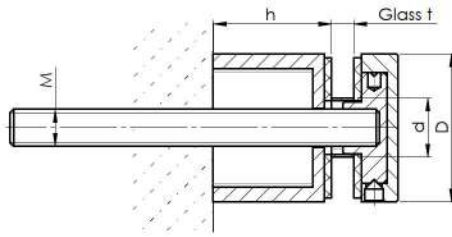
MODEL FIX



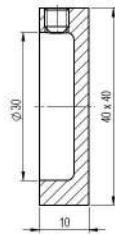
Quality	Finish	∅	art.	D	h	M	glass t	d	glass hole
AISI304	satin	33,7	A/0746-033	30	13	M8x50	6-12,76	13	15
		42,4	A/0746-042	30	15	M8x40	6-12,76	13	15
			A/0749-042	60	10	M10x125	8-17,52	18,5	20
AISI316	satin	42,4	A/0748-242	70	10	M10x80	8-17,52	17	20
			A14/0746-042	30	15	M8x40	6-12,76	13	15



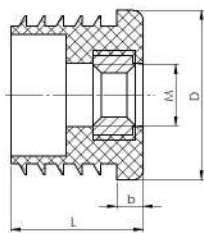
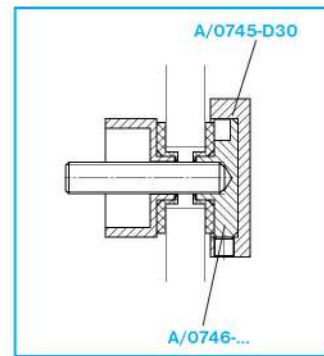
Quality	Finish	∅	art.	D	h	M	glass t	d	glass hole
AISI304	satin	42,4	A/0742-042	40	10	M10x40	8-17,52	18,5	20
AISI316			A/0747-242	50				17	
			A14/0747-242	50				17	



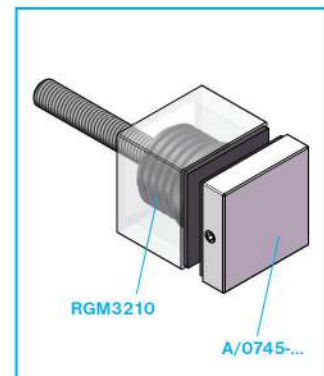
Quality	Finish	Ø	art.	D	h	M	glass t	d	glass hole
AISI304	satin	flat	A/0745-300	40	30	M10x100	8-17,52	16	18
			A/0745-500	40	50				

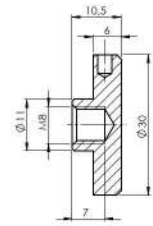
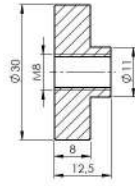


Quality	Finish	art.
AISI304	satin	A/0745-D30



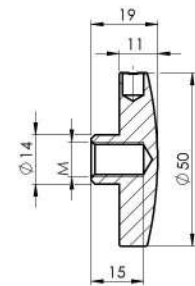
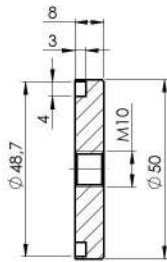
Quality	Finish	art.	D	M	b	L
PVC	Black	RGM3210	32	10	5	25
		RGM4210	42			35





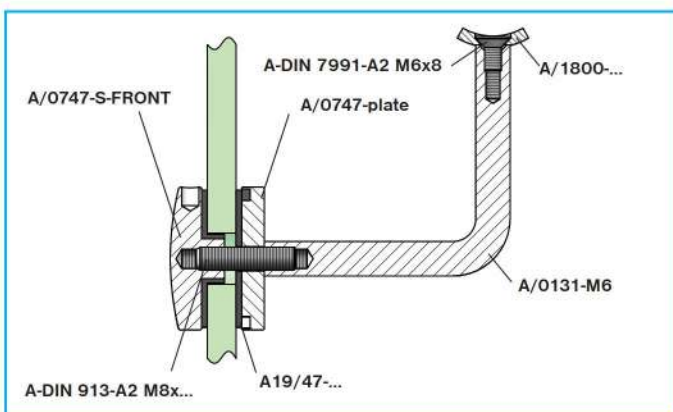
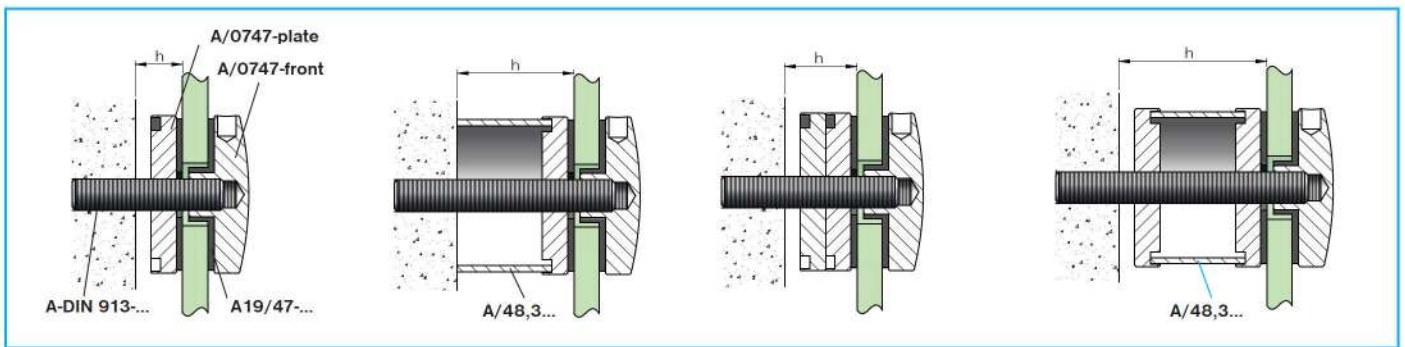
Quality	Finish	art.
AISI304	satin	A/0746-plate

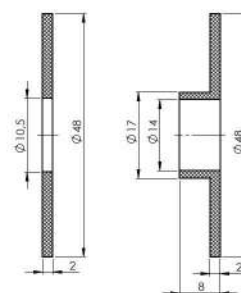
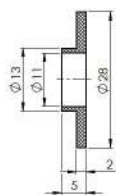
Quality	Finish	art.
AISI304	satin	A/0746-front



Quality	Finish	art.
AISI304	satin	A/0747-plate

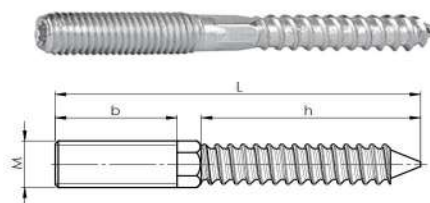
Quality	Finish	art.	M
AISI304	satin	A/0747-front	10
		A/0747-S-front	8





Quality	Finish	art.	Compatibility
Rubber	black	A19/46-Black	A/0746-...
	white	A19/46-White	

Quality	Finish	art.	Compatibility
Rubber	black	A19/47-Black	A/0747-...
	white	A19/47-White	



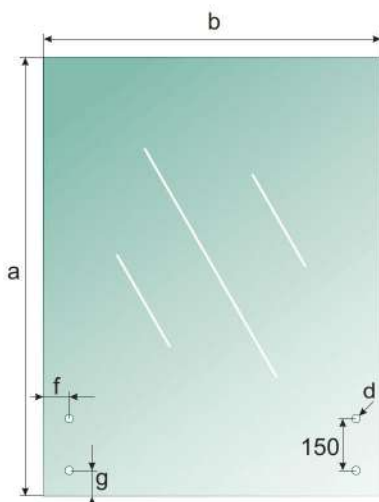
Quality	Finish	art.	M	L
AISI304	raw	A-DIN 913-A2 M8x20	8	20
		A-DIN 913-A2 M8x80		80
		A-DIN 913-A2 M10x35	10	35
		A-DIN 913-A2 M10x100		100

Quality	Finish	art.	M	L	b	h
AISI304	raw	A-DIN 9210 M8x60-A2	8	60	20	37
		A-DIN 9210 M10x100-A2	10	100	30	57

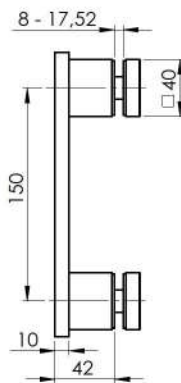
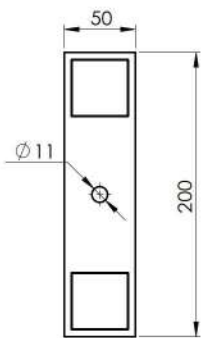


Quality	Finish	art.
AISI304	raw	A19/model741-8

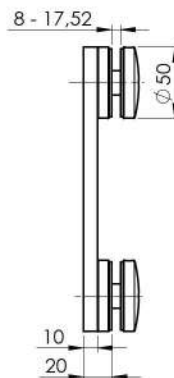
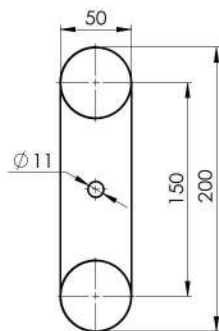
Quality	Finish	art.	M	b	L	h
AISI304	raw	A19/27-M8	8	11	140	15
		A19/27-M10	10	13	140	15



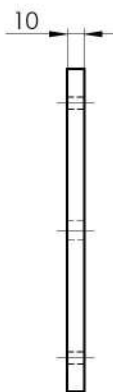
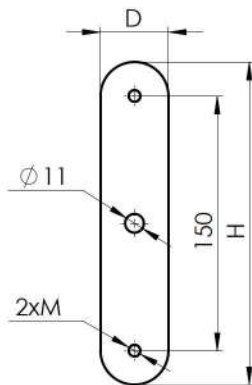
Quality	art.	a	b	d	f	g	glass t
VSG/ESG	GS/16,76-98x100-VSG/ESG	980	1000	4x25	92,5	92,5	16,76
	GS/16,76-133x100-VSG/ESG	1335					



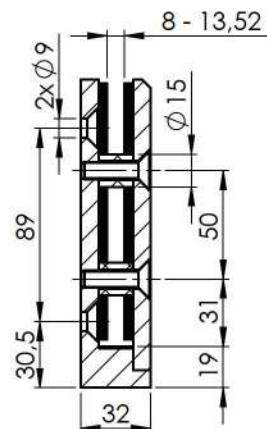
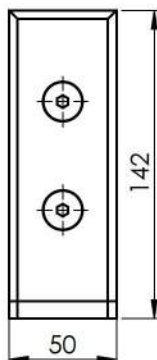
Quality	Finish	art.
AISI304	satın	A/2740-000



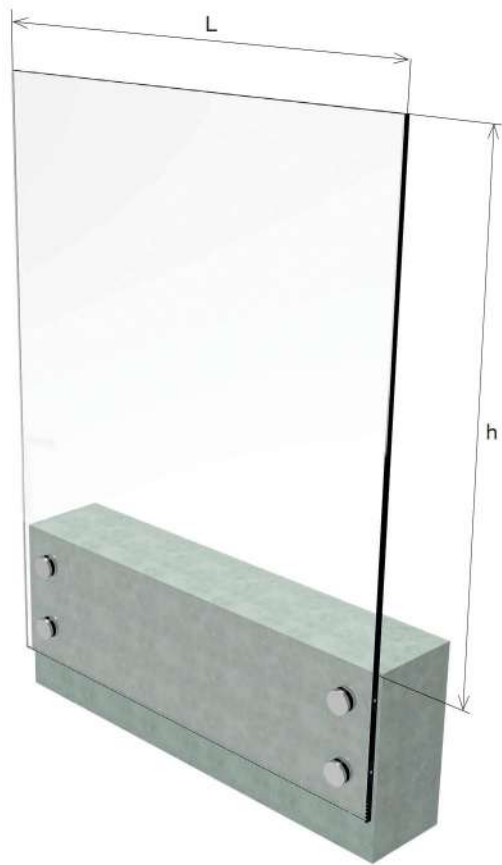
Quality	Finish	art.
AISI304	satın	A/2747-000



Quality	Finish	art.	D	H
AISI304	satın	A/2746-000 plate T10mm	40	190
		A/2747-000 plate T10mm	50	200



Quality	Finish	art.
AISI316	satın	A14/3000-000



	art.	h	L	glass t
	GS/FRB6-133x100-16,76-747	1000	1000	16,76 VSG/ESG

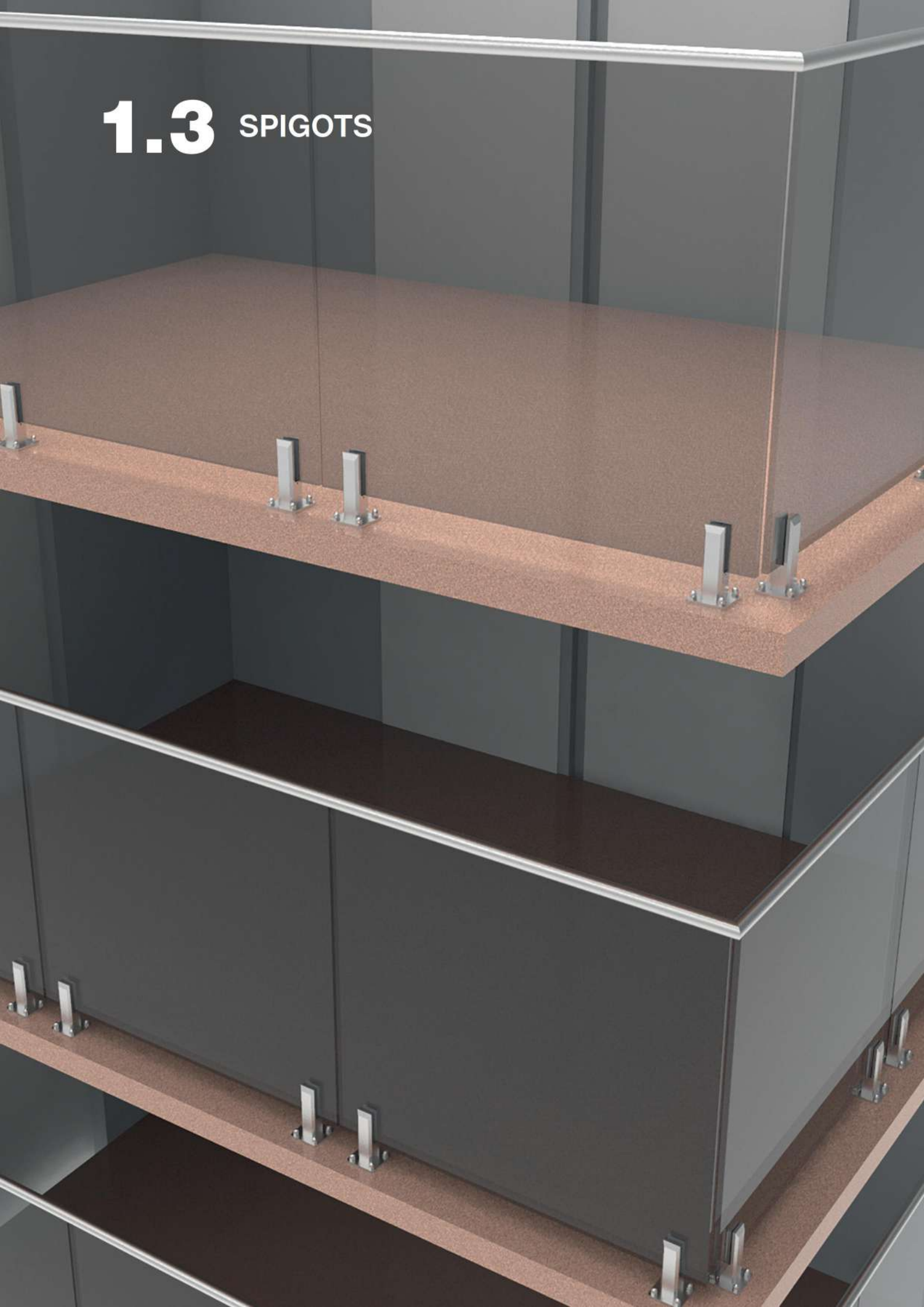
	art.	h	L	glass t
	GS/FRB6-133x100-16,7-2747	1000	1000	16,76 VSG/ESG



	art.	h	L	glass t
	GS/FRB6-133x100-16,76-745	1000	1000	16,76 VSG/ESG

	art.	h	L	glass t
	GS/FRB6-133x100-16,7-2740	1000	1000	16,76 VSG/ESG

1.3 SPIGOTS





FLEX MODELS



FIX MODELS



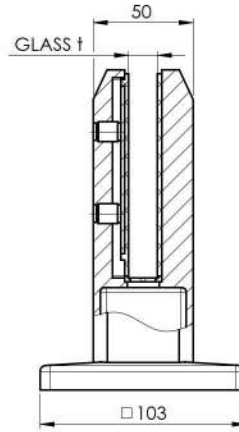
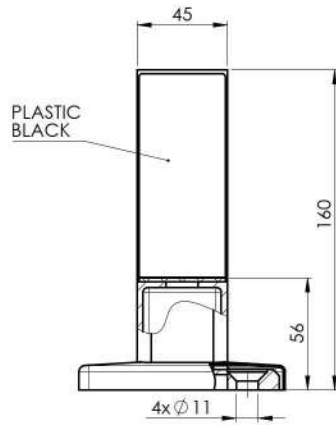
SQARE MODELS



ROUND MODELS

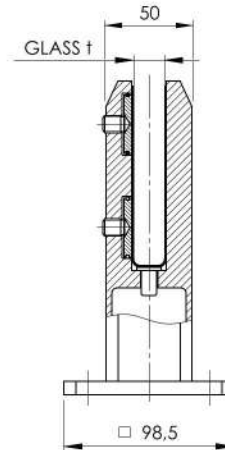
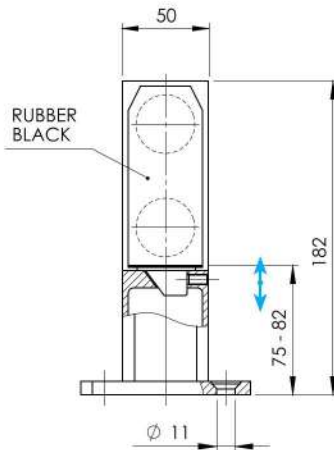


POSTS



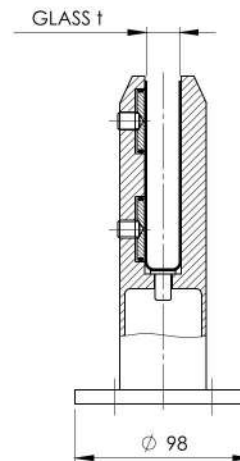
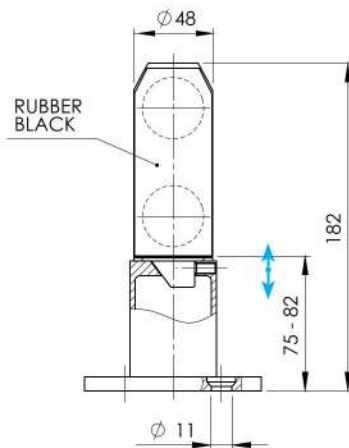
Quality	Finish	art.	Glass t
AISI316	satin	A14/6220-014	12,0-13,5
		A14/6220-018	16,0-17,5

STATIC STUDIO

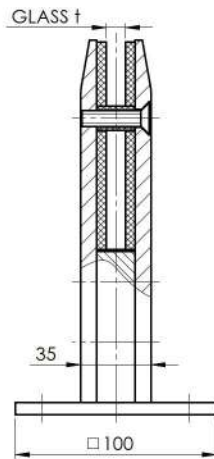
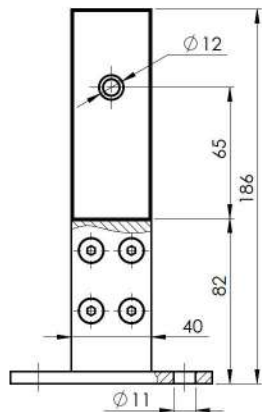


Quality	Finish	art.	G/h	Glass t
AISI304	satin	A/6200-000-C		
AISI316	polish	A14/6200-000-C-L	1kN	12-17,52
S.S.2205	satin	A22/6200-000-C		

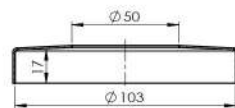
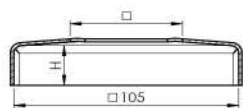
STATIC STUDIO



Quality	Finish	art.	G/h	Glass t
AISI304	satin	A/6100-000-B		
AISI316		A14/6100-000-B	1kN	12-17,52
		polish	A14/6100-000-B-L	

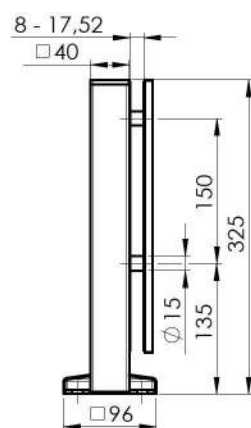
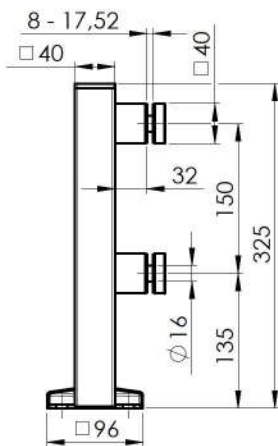


Quality	Finish	art.	Glass t	glass hole
AISI304	satin	A/6200-000-B	12-17,52	15



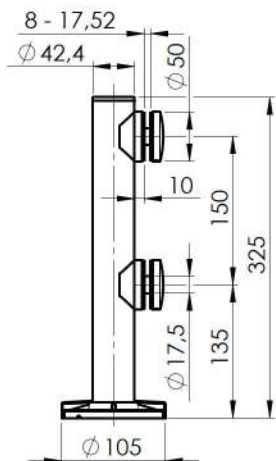
Quality	Finish	art.	H	spigot
AISI304	satin	A/4511-050	20	A/6200-000-C
		A14/4511-050	22	A14/6200-000-C A22/6200-000-C
AISI316	polish	A14/4511-050-B	51,5	A14/6200-000-C-L
		A14/4511-050-B-L	21	

Quality	Finish	art.	spigot
AISI304	satin	A/0512-050	A/6100-...
AISI316		A14/0512-050	A14/6100-...

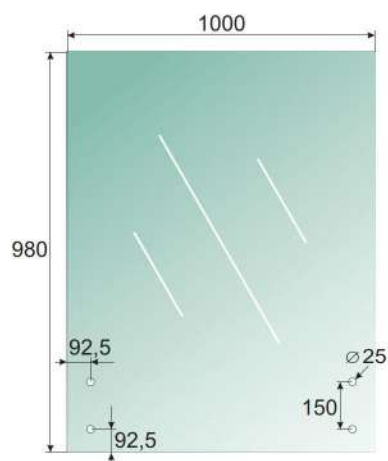


Quality	Finish	art.	Glass
AISI304	satin	A/6400-040	GS/16,76-98x100-VSG/ESG

Quality	Finish	art.	Glass
AISI304	satin	A/6400-040-plate	GS/16,76-...



Quality	Finish	art.	Glass
AISI316	satin	A14/6300-000	GS/16,76-98x100-VSG/ESG



Quality	art.	glass t
VSG/ESG	GS/16,76-98x100-VSG/ESG	16,76

1.4 HANDRAILS



2.8

2.9





Ø 42
Ø 48
Ø 25



Ø 50 LED



80x40

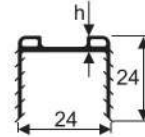
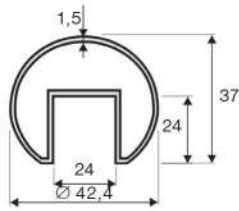


40x40
50x40
60x40
25x21



18x12
22x9
22x16
26x20
28x26

MODEL 42,4x1,5

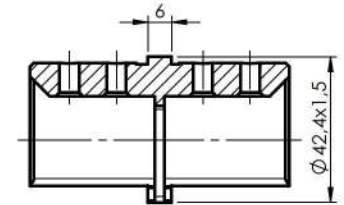
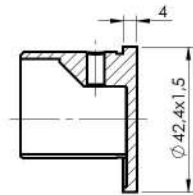


Quality	Finish	art.	L
AISI304	satin	A/6925-042-1250	1250
		A/6925-042	2500
		A/6920-042	5000
		A/6921-042	6000
AISI316	polish	A14/6920-042	5000
		A14/6920-042-L	5000



top

Quality	Finish	art.	Glass t	h	L		
Rubber	black	A19/5042-008	8,0-11,0	5	2500		
		A19/5042-208			5000		
		A19/5042-011	11,5-13,5	4,5	2500		
		A19/5042-211			5000		
		A19/5042-016			2500		
		Rubber interior	gray	A19/5042-216	16,0-17,5	4,2	5000
				A19/5042-021			2500
A19/5042-221	20,76-21,52			3,5	5000		
A19/5042-G-016					2500		
A19/5042-G-216					5000		

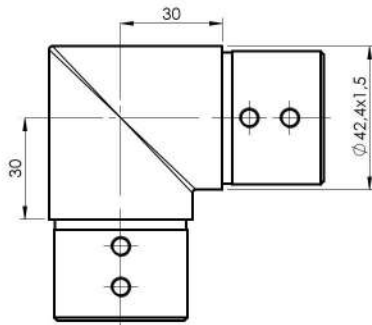


Quality	Finish	art.
AISI304	satin	A/6732-042
AISI316		A14/6732-042

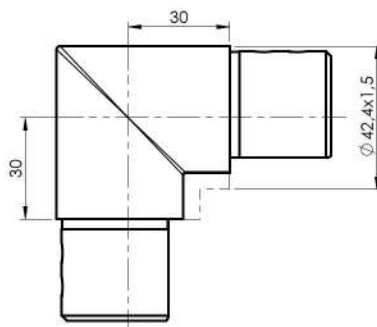
top

Quality	Finish	art.
AISI304	satin	A/6790-042
AISI316		A14/6790-042

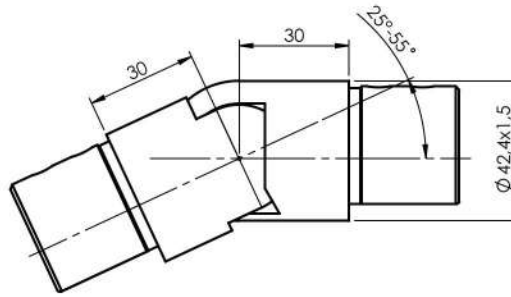
top



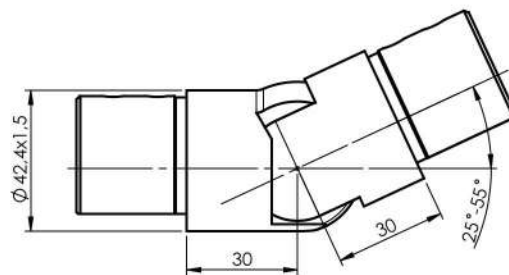
Quality	Finish	art.
AISI304	satin	A/6313-042
AISI316		A14/6313-042



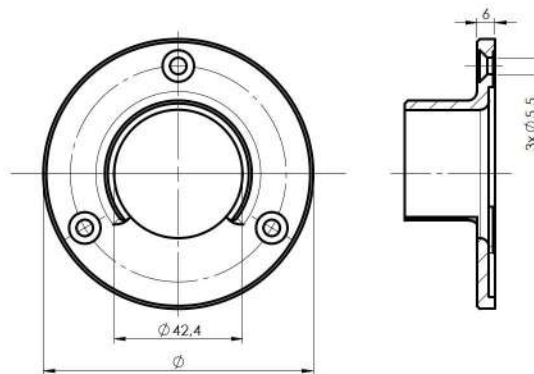
Quality	Finish	art.
AISI316	satin	A14/6303-042



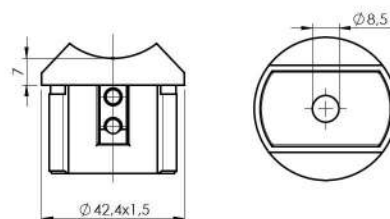
Quality	Finish	art.
AISI304	satin	A/6302-042
AISI316		A14/6302-042



Quality	Finish	art.
AISI304	satin	A/6312-042
AISI316		A14/6312-042

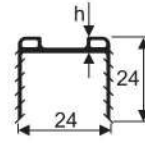
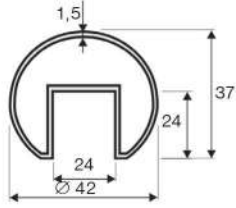


Quality	Finish	art.
AISI316	satin	A14/6505-042



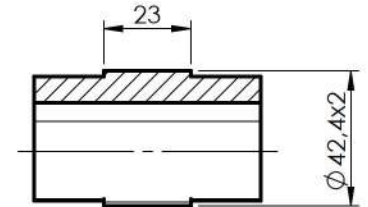
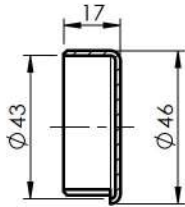
Quality	Finish	art.
AISI316	satin	A14/6727-042

new



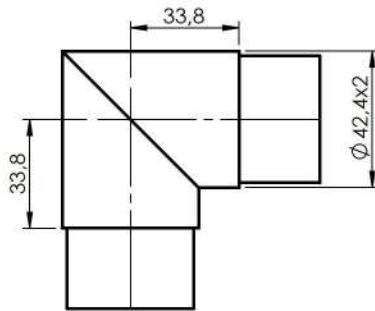
Quality	Finish	art.	L	
ALUMINIUM	satin	AL/6920-042	3000	✓
		AL/6925-042	6000	

Quality	Finish	art.	Glass t	h	L
Rubber	black	A19/5042-008	8,0-11,0	5	2500
		A19/5042-208			5000
		A19/5042-011	11,5-13,5	4,5	2500
		A19/5042-211			5000
		A19/5042-016	16,0-17,5	4,2	2500
		A19/5042-216			5000
		A19/5042-021	20,76-21,52	3,5	2500
A19/5042-221	5000				
Rubber interior	gray	A19/5042-G-016	16,0-17,5	4,2	2500
		A19/5042-G-216			5000

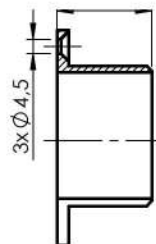
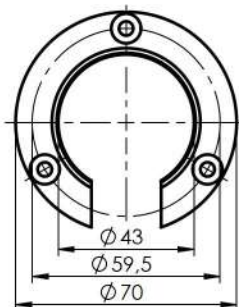


Quality	Finish	art.
ALUMINIUM	satin	AL/6732-042

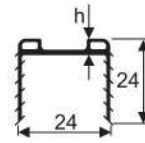
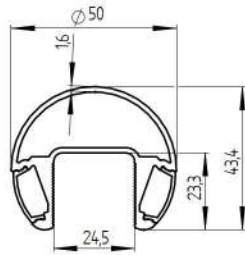
Quality	Finish	art.
ALUMINIUM	satin	AL/6790-042



Quality	Finish	art.
ALUMINIUM	satin	AL/6313-042

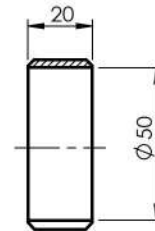
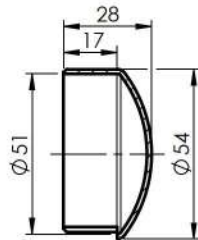


Quality	Finish	art.
ALUMINIUM	satin	AL/6505-042



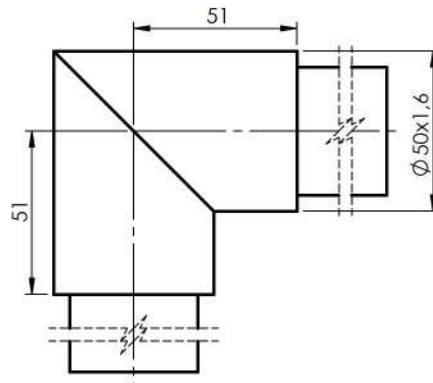
Quality	Finish	art.	L	
ALUMINIUM	satin	AL/6920-050-LED	6000	✓

Quality	Finish	art.	Glass t	h	L
Rubber	black	A19/5042-008	8,0-11,0	5	2500
		A19/5042-208			5000
		A19/5042-011	11,5-13,5	4,5	2500
		A19/5042-211			5000
		A19/5042-016	16,0-17,5	4,2	2500
		A19/5042-216			5000
		A19/5042-021	20,76-21,52	3,5	2500
A19/5042-221	5000				
Rubber interior	gray	A19/5042-G-016	16,0-17,5	4,2	2500
		A19/5042-G-216			5000

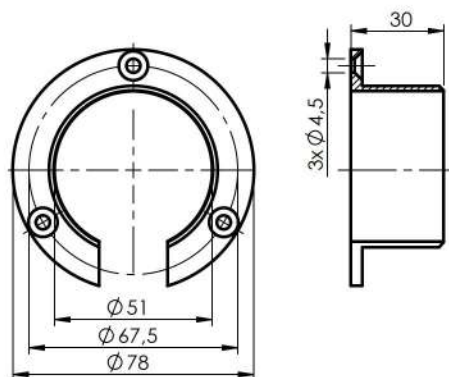


Quality	Finish	art.
ALUMINIUM	satin	AL/6732-050-LED

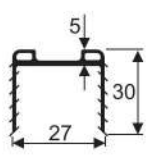
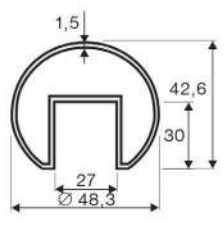
Quality	Finish	art.
ALUMINIUM	satin	AL/6790-050-LED



Quality	Finish	art.
ALUMINIUM	satin	AL/6313-050-LED

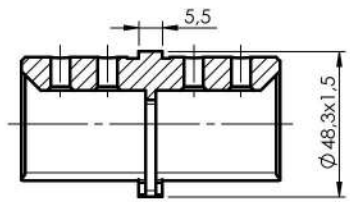
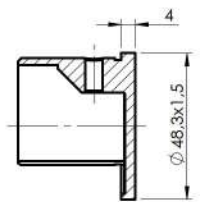


Quality	Finish	art.
ALUMINIUM	satin	AL/6505-050-LED



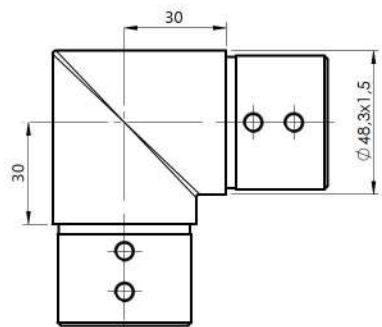
Quality	Finish	art.	L
AISI304	satin	A/6920-048	5000
		A/6925-048	2500
AISI316	satin	A14/6920-048	5000
		A14/6925-048	2500

Quality	Finish	art.	Glass t	L
Rubber	black	A19/5048-008	8,0-11,0	2500
		A19/5048-208		5000
		A19/5048-011	11,5-13,5	2500
		A19/5048-211		5000
		A19/5048-015	15,0-17,5	2500
		A19/5048-215		5000
		A19/5048-022	20,0-20,5	2500
		A19/5048-222		5000

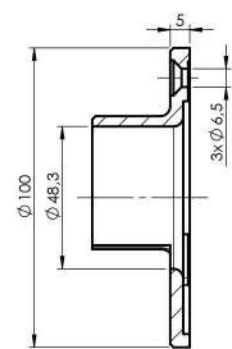


Quality	Finish	art.
AISI304	satin	A/6732-048

Quality	Finish	art.
AISI304	satin	A/6790-048

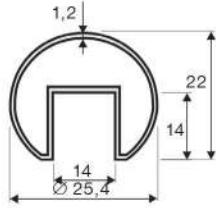


Quality	Finish	art.
AISI304	satin	A/6313-048



Quality	Finish	art.
AISI304	satin	A/6505-048

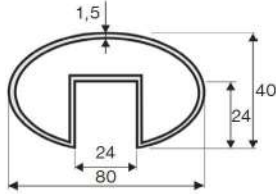
MODEL 25



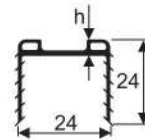
Material	Finish	art.	L	glass t
AISI316	satin	A14/6925-025	2500	<14
		A14/6920-025	5000	



MODEL 80x40x1,5

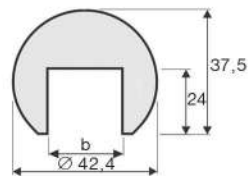


Quality	Finish	art.	L	
AISI304	satin	A/6920-080	5000	✓



Quality	Finish	art.	Glass t	h	L
Rubber	black	A19/5042-008	8,0-11,0	5	2500
		A19/5042-208			5000
		A19/5042-011	11,5-13,5	4,5	2500
		A19/5042-211			5000
		A19/5042-016	16,0-17,5	4,2	2500
		A19/5042-216			5000
		A19/5042-021	20,76-21,52	3,5	2500
		A19/5042-221			5000
Rubber interior	gray	A19/5042-G-016	16,0-17,5	4,2	2500
		A19/5042-G-216			5000

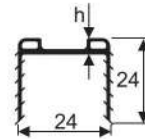
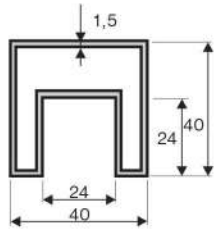
MODEL 42,4



Quality	Finish	art.	b	L
Beech	natural	WB/6925-042-17	17	2500
Oak		WD/6925-042-17		

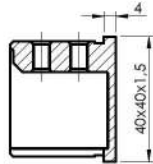


MODEL 40x40x1,5

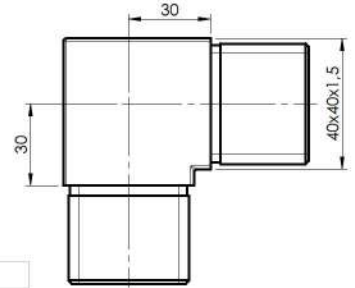


Quality	Finish	art.	L
AISI304	satin	A/6925-040	2500
		A/6920-040	5000
		A/6921-040	6000
AISI316		A14/6920-040	5000

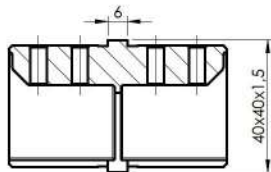
Quality	Finish	art.	Glass t	h	L
Rubber	black	A19/5042-008	8,0-11,0	5	2500
		A19/5042-208			5000
		A19/5042-011	11,5-13,5	4,5	2500
		A19/5042-211			5000
		A19/5042-016	16,0-17,5	4,2	2500
		A19/5042-216			5000
		A19/5042-021	20,76-21,52	3,5	2500
		A19/5042-221			5000
Rubber interior	gray	A19/5042-G-016	16,0-17,5	4,2	2500
		A19/5042-G-216			5000



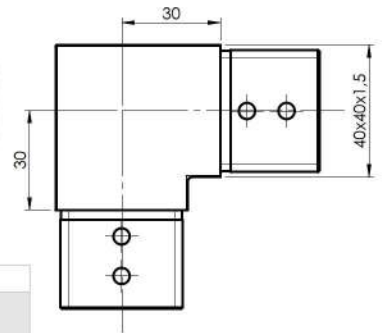
Quality	Finish	art.
AISI304	satin	A/6732-040
AISI316		A14/6732-040



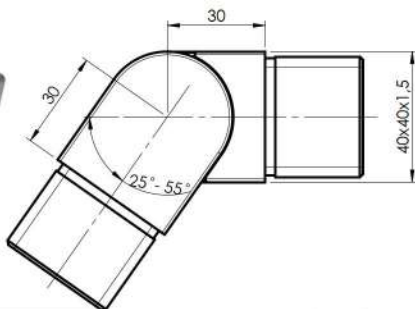
Material	Finish	art.
AISI316	satin	A14/6303-040



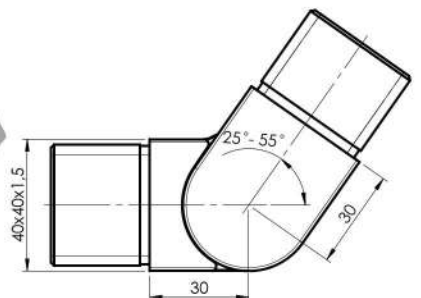
Quality	Finish	art.
AISI304	satin	A/6790-040
AISI316		A14/6790-040



Quality	Finish	art.
AISI304	satin	A/6313-040
AISI316		A14/6313-040

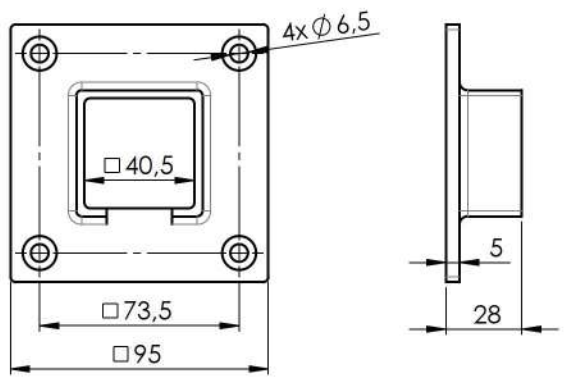


Material	Finish	art.
AISI316	satin	A14/6302-040



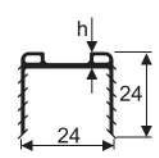
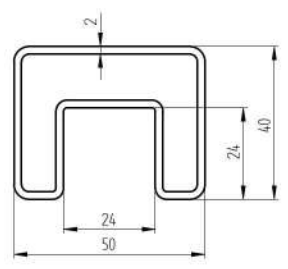
Material	Finish	art.
AISI316	satin	A14/6312-040

MODEL 40x40x1,5



Quality	Finish	art.
AISI304	satin	A/6505-040
AISI316		A14/6505-040

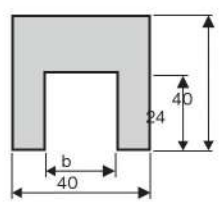
MODEL 50x40x1,5/AL



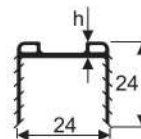
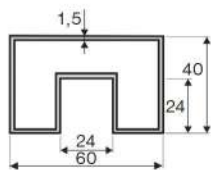
Quality	Finish	art.	L	
ALUMINIUM	satin	AL/6920-050	6000	✓

Quality	Finish	art.	Glass t	h	L
Rubber	black	A19/5042-008	8,0-11,0	5	2500
		A19/5042-208			5000
		A19/5042-011	11,5-13,5	4,5	2500
		A19/5042-211			5000
		A19/5042-016			16,0-17,5
		A19/5042-216	5000		
		Rubber interior	gray	A19/5042-021	20,76-21,52
A19/5042-221	5000				
A19/5042-G-016	16,0-17,5			4,2	2500
A19/5042-G-216					5000

MODEL 40x40

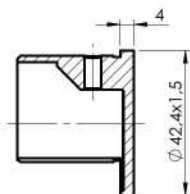


Quality	Finish	art.	b	L
Beech	natural	WB/6925-040-17	17	2500
Oak		WD/6925-040-17		

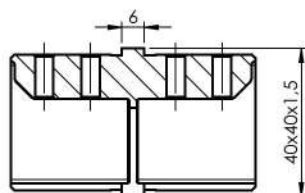


Quality	Finish	art.	L
AISI304	satin	A/6920-640	5000
		A/6925-640	2500
AISI316	satin	A14/6920-640	5000
		A14/6925-640	2500

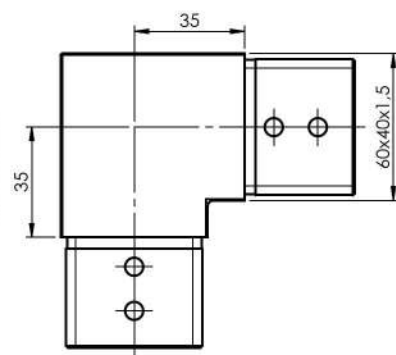
Quality	Finish	art.	Glass t	h	L
Rubber	black	A19/5042-008	8,0-11,0	5	2500
		A19/5042-208			5000
		A19/5042-011	11,5-13,5	4,5	2500
		A19/5042-211			5000
		A19/5042-016			2500
		A19/5042-216	16,0-17,5	4,2	5000
		A19/5042-021			2500
A19/5042-221	20,76-21,52	3,5	5000		
Rubber interior	gray	A19/5042-G-016	16,0-17,5	4,2	2500
		A19/5042-G-216			5000



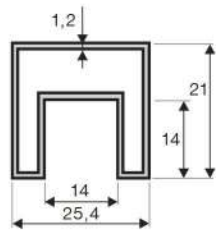
Quality	Finish	art.
AISI316	satin	A14/6732-640



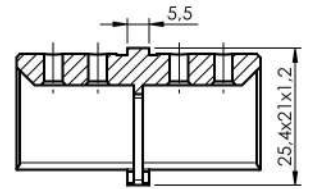
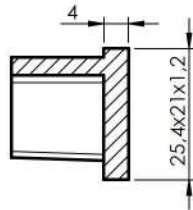
Quality	Finish	art.
AISI304	satin	A/6790-640
AISI316		A14/6790-640



Quality	Finish	art.
AISI316	satin	A14/6313-640

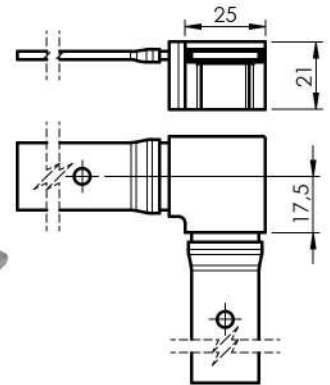
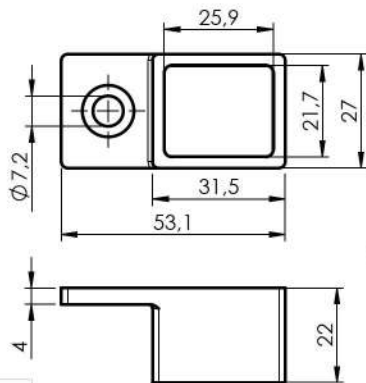


Material	Finish	art.	L	glass t
AISI316	satin	A14/6925-225	2500	<14
		A14/6920-225	5000	



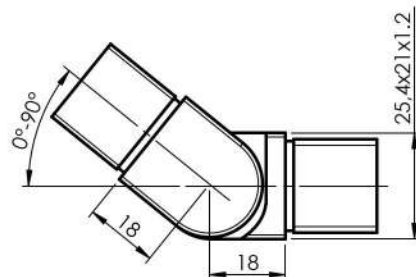
Material	Finish	art.
AISI316	satin	A14/6732-225

Material	Finish	art.
AISI316	satin	A14/6790-225



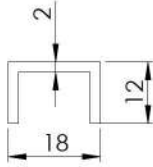
Material	Finish	art.
AISI316	satin	A14/6505-225

Material	Finish	art.
AISI316	satin	A14/6312-225

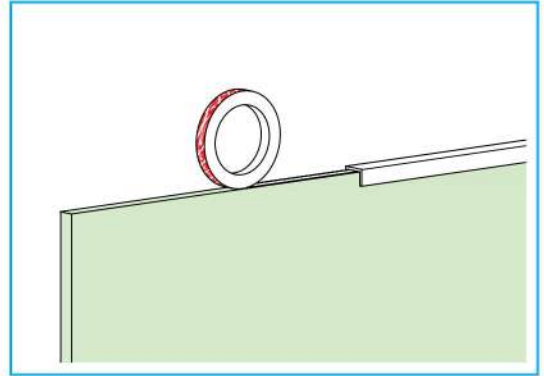


Material	Finish	art.
AISI316	satin	A14/6314-225

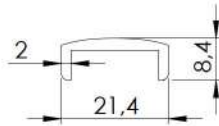
MODEL 18x12x2



Material	Finish	Effect	art.	L	glass t
ALUMINIUM	satin	ELOX	AL/6901-014-3000-S-E	3000	< 14
			AL/6901-014-6000-S-E	6000	
	natural	Black	AL/6901-014-6000-N-B		



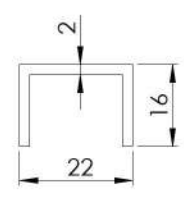
MODEL 22x9x2



Material	Finish	Effect	art.	L	glass t
ALUMINIUM	satin	ELOX	AL/6901-017-3000-S-E	3000	< 17
			AL/6901-017-6000-S-E	6000	



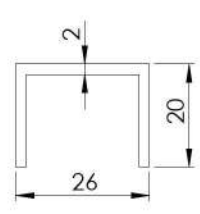
MODEL 22x16x2



Material	Finish	Effect	art.	L	glass t
AISI304	satin		A/6901-018-2500	2500	<18
			A/6901-018-5000	5000	
ALUMINIUM	natural	ELOX	AL/6901-018-3000-S-E	3000	< 18
			AL/6901-018-6000-S-E	6000	
		black	AL/6901-018-6000-N-B	6000	

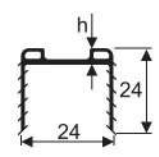
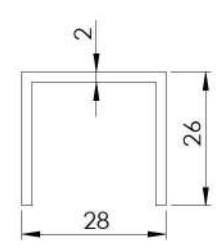
top

MODEL 26x20x2



Material	Finish	Effect	art.	L	glass t
ALUMINIUM	satin	ELOX	AL/6901-022-3000-S-E	3000	< 22
			AL/6901-022-6000-S-E	6000	

MODEL 28x26x2

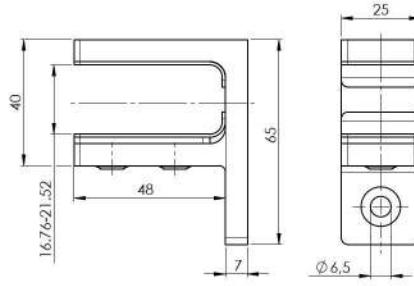


Quality	Finish	art.	L	glass t	
AISI304	satin	A/6900-020	2500	< 24	✓
		A/6905-020	5000		

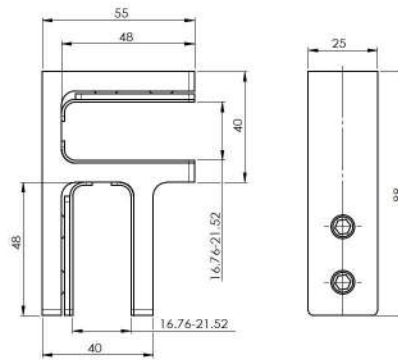
Quality	Finish	art.	Glass t	h	L
Rubber	black	A19/5042-008	8,0-11,0	5	2500
		A19/5042-208			5000
		A19/5042-011	11,5-13,5	4,5	2500
		A19/5042-211			5000
		A19/5042-016	16,0-17,5	4,2	2500
		A19/5042-216			5000
		A19/5042-021	20,76-21,52	3,5	2500
		A19/5042-221			5000
Rubber interior	gray	A19/5042-G-016	16,0-17,5	4,2	2500
		A19/5042-G-216			5000

1.5 CONNECTORS

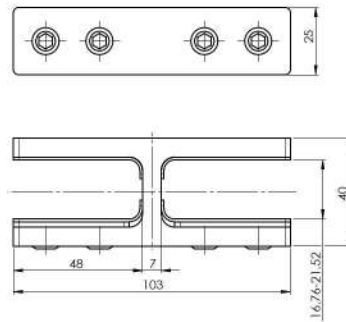




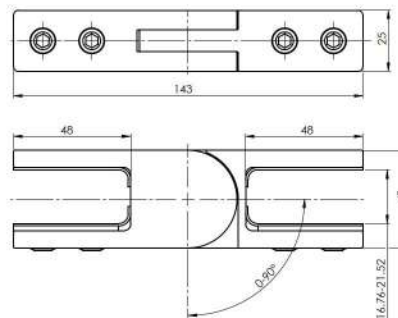
Quality	Finish	art.	glass t
AISI316	satın	A14/0771-000	16,76 - 21,52



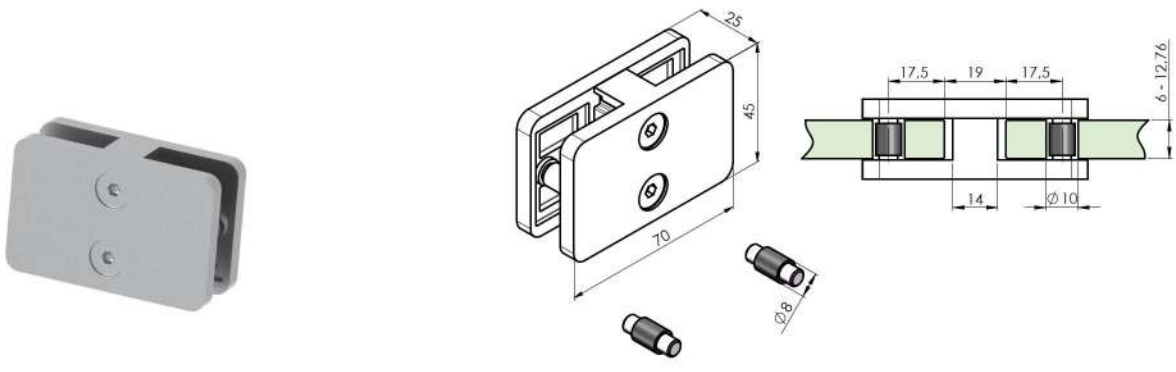
Quality	Finish	art.	glass t
AISI316	satın	A14/0773-000	16,76 - 21,52



Quality	Finish	art.	glass t
AISI316	satın	A14/0772-000	16,76 - 21,52

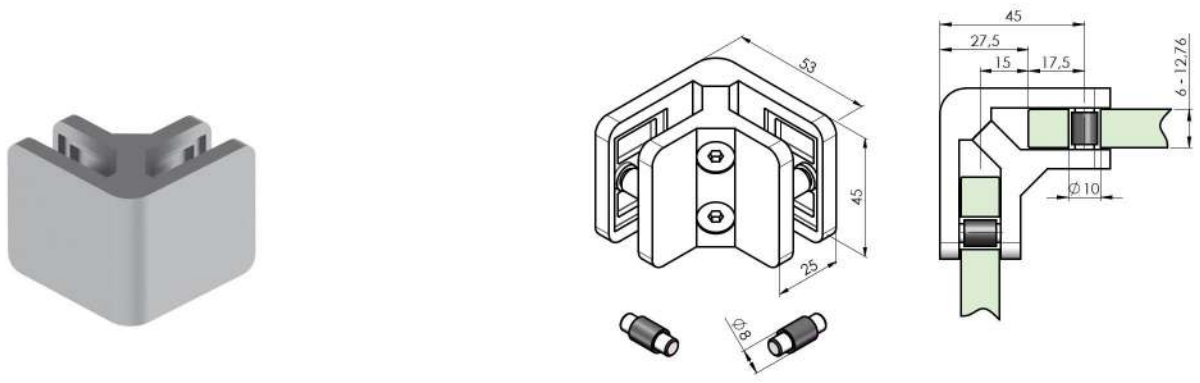


Quality	Finish	art.	glass t
AISI316	satın	A14/0774-000	16,76 - 21,52



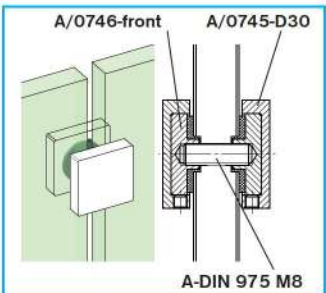
Quality	Finish	art.		
AISI316	satın	A14/230P-700	1x	A19/04-PVC

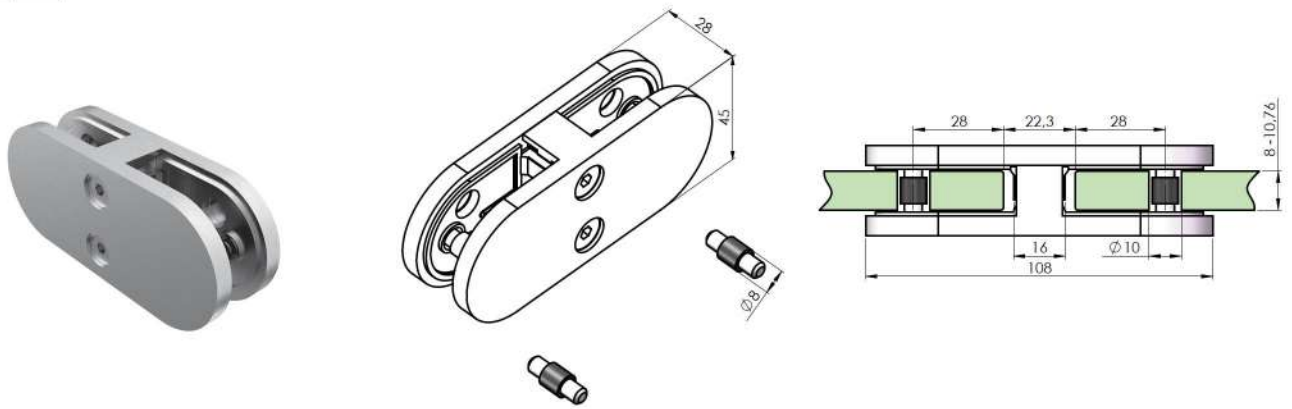
	glass t							
	6	6,76	8	8,76	10	10,76	12	12,76
	A19/23-P06/K08	A19/23-P07/K09	A19/23-P08/K10	A19/23-P09/K11	A19/23-P10/K12	A19/23-P11/K13	A19/23-P12	A19/23-P13




Quality	Finish	art.		
AISI316	satın	A14/230P-900	1x	A19/04-PVC

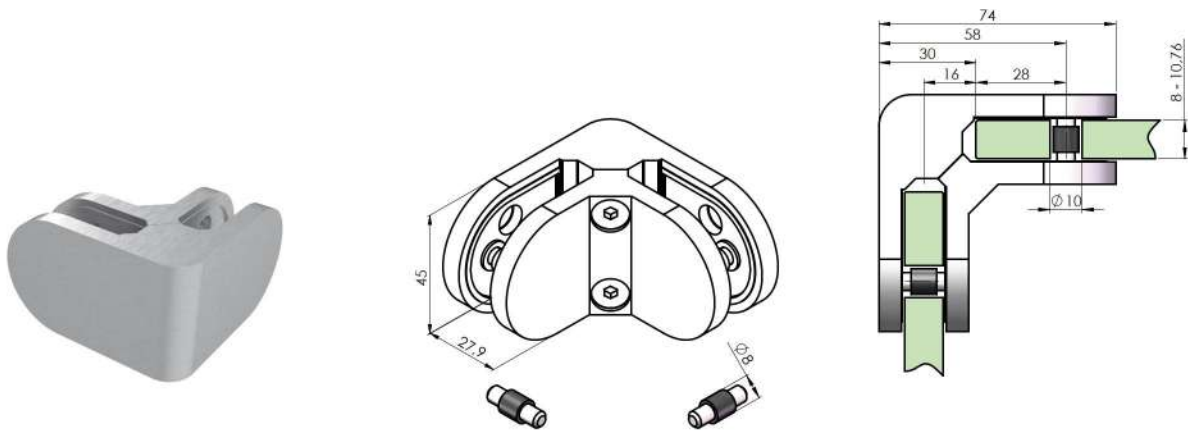
	glass t							
	6	6,76	8	8,76	10	10,76	12	12,76
	A19/23-P06/K08	A19/23-P07/K09	A19/23-P08/K10	A19/23-P09/K11	A19/23-P10/K12	A19/23-P11/K13	A19/23-P12	A19/23-P13





Quality	Finish	art.		
AISI316	satin	A14/2200-700	1x	A19/04-PVC

	plate t			glass t			
	1,5	2	3	8	8,76	10	10,76
	A19/22-0015	A19/22-002	A19/22-003	A19/22-008	A19/22-009	A19/22-010	A19/22-011





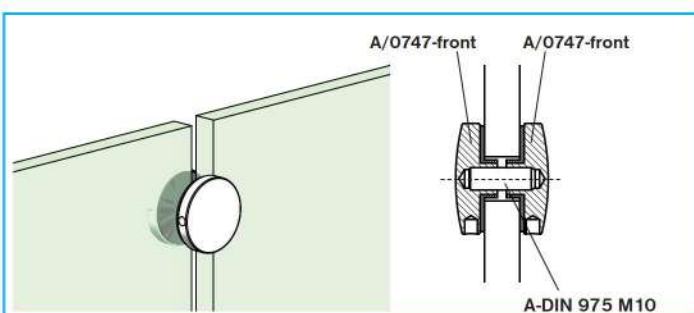
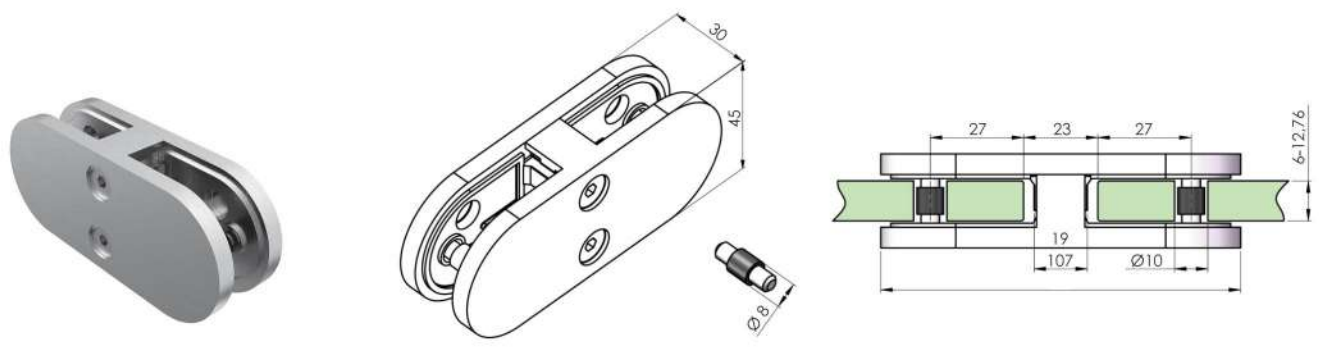
Quality	Finish	art.		
AISI316	satin	A14/2200-900-B	1x	A19/04-PVC

	plate t			glass t			
	1,5	2	3	8	8,76	10	10,76
	A19/22-0015	A19/22-002	A19/22-003	A19/22-008	A19/22-009	A19/22-010	A19/22-011

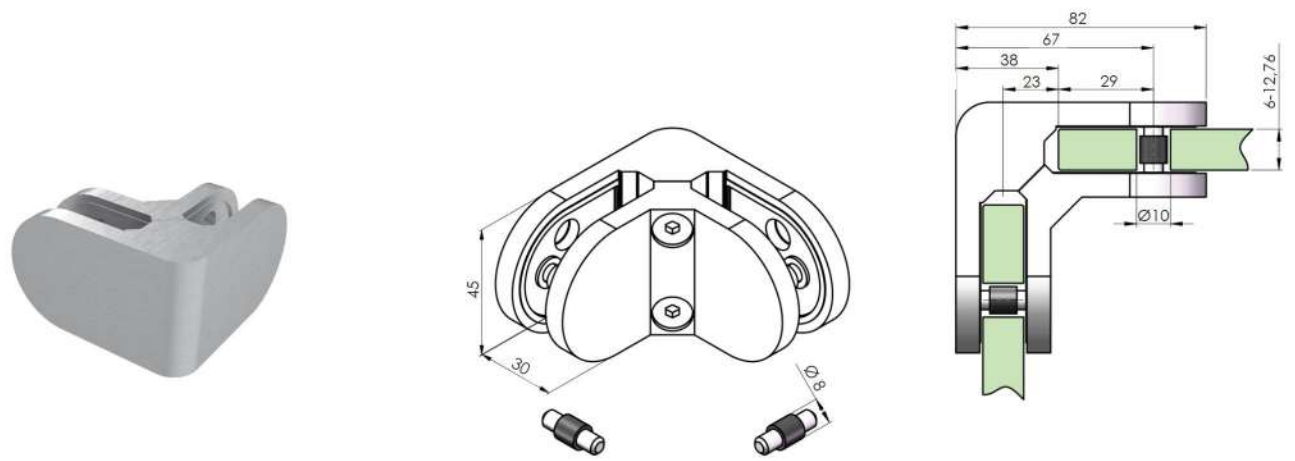


MODEL 25



Quality	Finish	art.		
AISI316	satin	A14/2500-700	1x	A19/04-PVC

	8	8,76	10	10,76	12	12,76
	A19/25-008	A19/25-009	A19/25-010	A19/25-011	A19/25-012	A19/25-013



Quality	Finish	art.		
AISI316	satin	A14/2500-900	1x	A19/04-PVC

	8	8,76	10	10,76	12	12,76
	A19/25-008	A19/25-009	A19/25-010	A19/25-011	A19/25-012	A19/25-013

2 POST RAILING





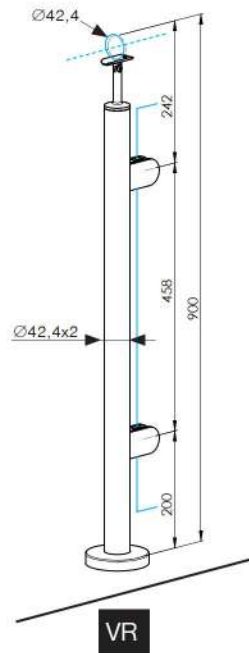
2.1 GLASS RAILING



MODEL 22/900-D42



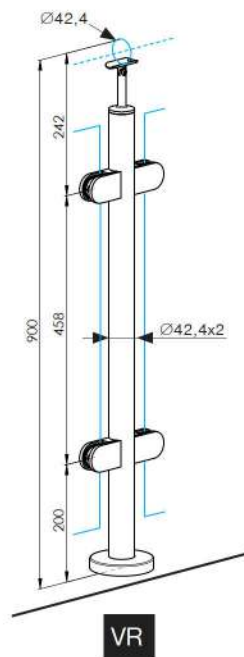
-  1x
A/0718-242
-  2x
A/2200-042
-  4x
A19/22-009
-  1x
A/42,4x2
-  1x
A/0512-042
-  1x
A/0940-042-N



Quality	Finish	glass t	art.
AISI304	satın	8,76	A-VR90-2GR A-VR90-2GL



-  1x
A/0718-242
-  4x
A/2200-042
-  8x
A19/22-009
-  1x
A/42,4x2
-  1x
A/0512-042
-  1x
A/0940-042-N

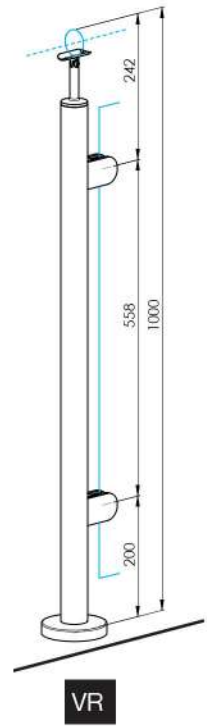
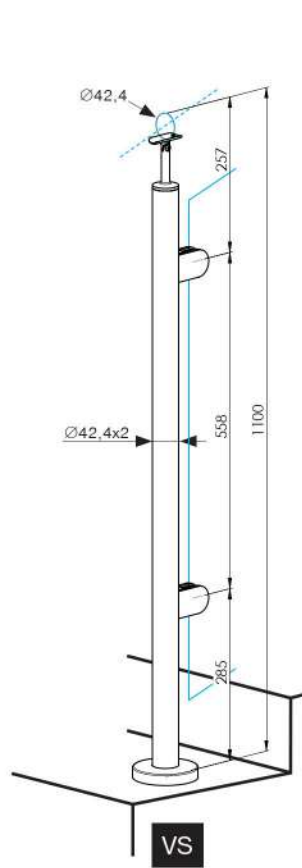


Quality	Finish	glass t	art.
AISI304	satın	8,76	A-VR90-4G A-VR90-4G90

MODEL 22/1000-D42



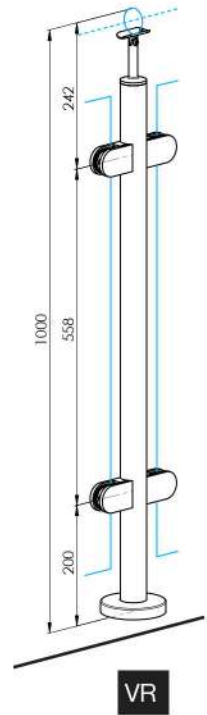
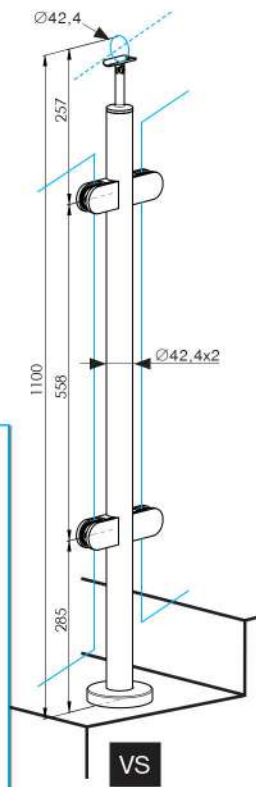
-  1x
A/0718-242
-  2x
A/2200-042
-  4x
A19/22-009
-  1x
A/42,4x2
-  1x
A/0512-042
-  1x
A/0940-042-N



Quality	Finish	glass t	art.
AISI304	satin	8,76	A-VR100-2GR
			A-VS100-2GR
			A-VR100-2GL
			A-VS100-2GL



-  1x
A/0718-242
-  4x
A/2200-042
-  8x
A19/22-009
-  1x
A/42,4x2
-  1x
A/0512-042
-  1x
A/0940-042-N



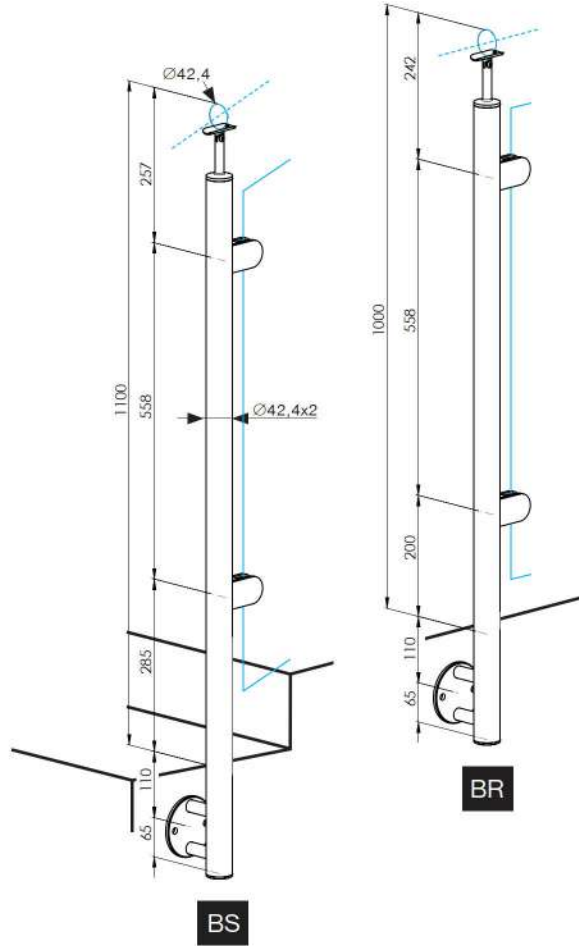
Quality	Finish	glass t	art.
AISI304	satin	8,76	A-VR100-4G
			A-VR100-4G90
			A-VS100-4G



MODEL 22/1000-D42



-  1x
A/0718-242
-  2x
A/2200-042
-  4x
A19/22-009
-  1x
A/42,4x2
-  1x
A6/021-6-A...
-  1x
A/5729-242...

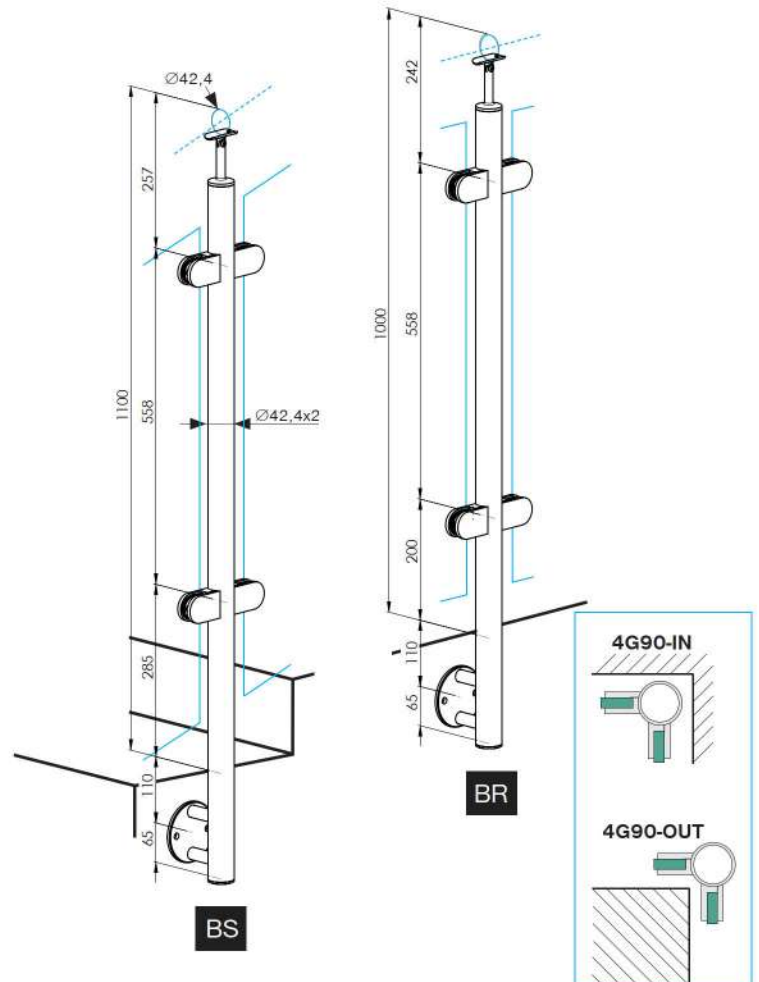


Quality	Finish	glass t	art.
AISI304	satin	8,76	A-BR100-2GR
			A-BS100-2GR

MODEL 22/1000-D42



-  1x
A/0718-242
-  4x
A/2200-042
-  8x
A19/22-009
-  1x
A/42,4x2
-  1x
A6/021-6-A...
-  1x
A/5729-242...



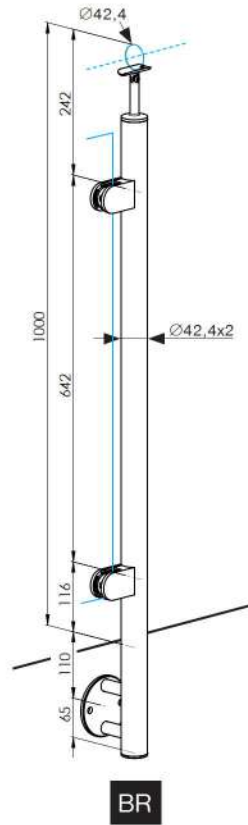
Quality	Finish	glass t	art.
AISI304	satin	8,76	A-BR100-4G
			A-BS100-4G
			A-BR100-4G90-IN
			A-BR100-4G90-OUT

MODEL 250P/1000-D42

2.1
GLASS RAILINGS



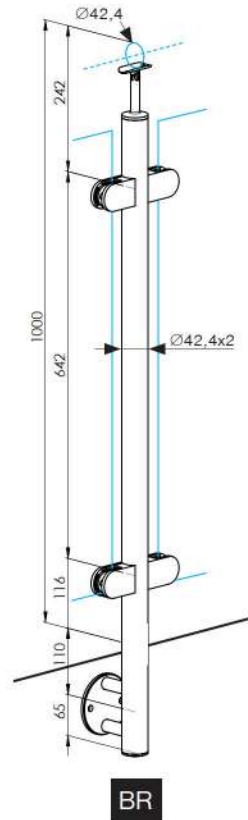
-  1x
A/0718-242
-  2x
A/250P-042
-  4x
A19/25-009
-  1x
A/42,4x2
-  1x
A6/021-6-A...
-  1x
A/5729-242...



Quality	Finish	glass t	art.
AISI304	satın	8,76	A-BR100-2GR-250P A-BR100-2GL-250P



-  1x
A/0718-242
-  4x
A/250P-042
-  8x
A19/25-009
-  1x
A/42,4x2
-  1x
A6/021-6-A...
-  1x
A/5729-242...

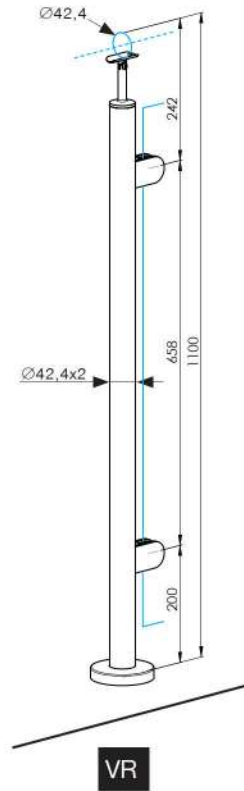


Quality	Finish	glass t	art.
AISI304	satın	8,76	A-BR100-4G-250P

MODEL 22/1100-D42



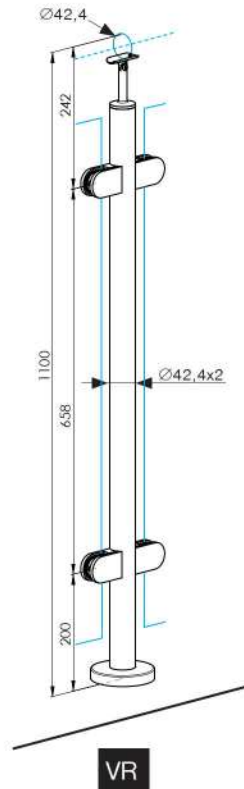
-  1x
A/0718-242
-  2x
A/2200-042
-  4x
A19/22-009
-  1x
A/42,4x2
-  1x
A/0512-042
-  1x
A/0940-042-N



Quality	Finish	glass t	art.
AISI304	satın	8,76	A-VR110-2GR A-VR110-2GL



-  1x
A/0718-242
-  4x
A/2200-042
-  8x
A19/22-009
-  1x
A/42,4x2
-  1x
A/0512-042
-  1x
A/0940-042-N

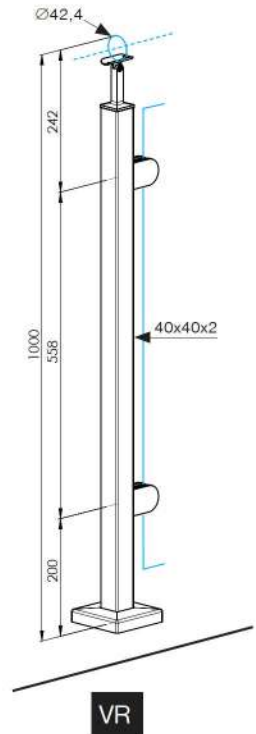


Quality	Finish	glass t	art.
AISI304	satın	8,76	A-VR110-4G A-VR110-4G90

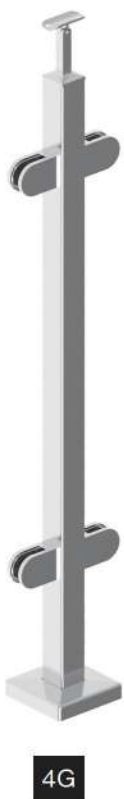
MODEL 22/1000-40x40



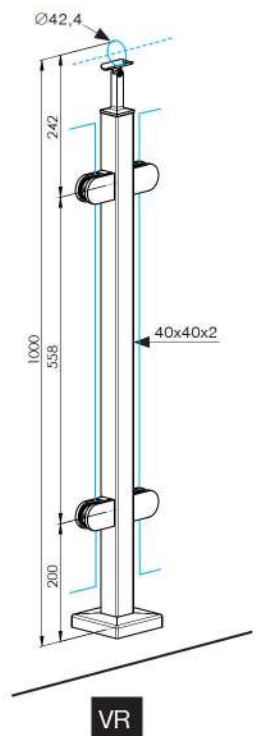
	1x
A/4718-042	
	2x
A/2200-000	
	4x
A19/25-009	
	1x
A/40x40x2	
	1x
A/4511-040	
	1x
A/4940-040	



Quality	Finish	glass t	art.
AISI304	satin	8,76	AJP-VR100-2GR
			AJP-VR100-2GL

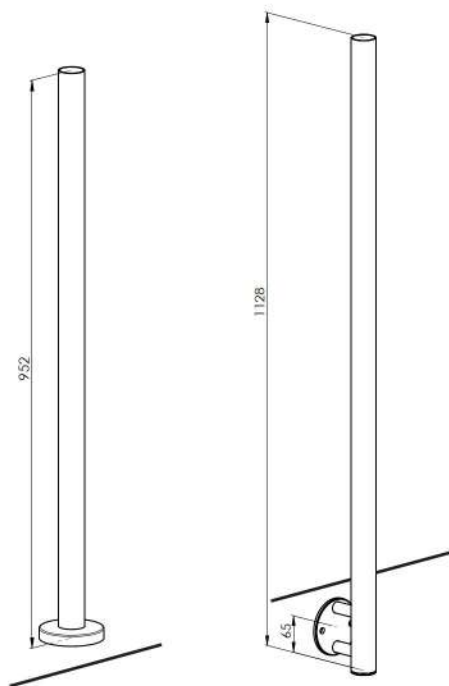
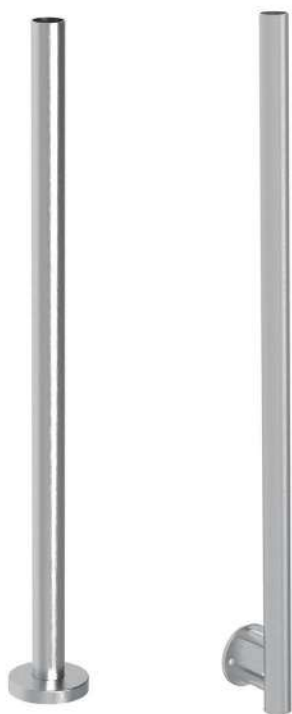


	1x
A/4718-042	
	4x
A/2200-000	
	8x
A19/25-009	
	1x
A/40x40x2	
	1x
A/4511-040	
	1x
A/4940-040	



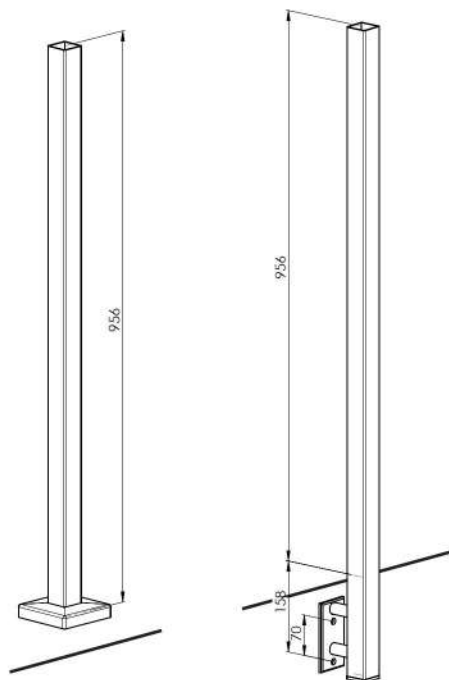
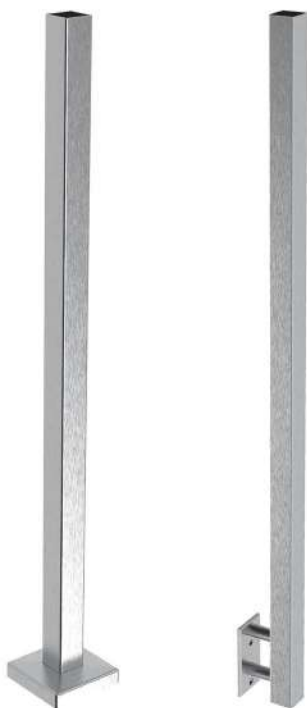
Quality	Finish	glass t	art.
AISI304	satin	8,76	AJP-VR100-4G

MODEL 1000/VER

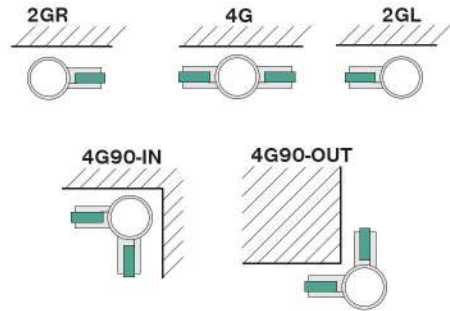
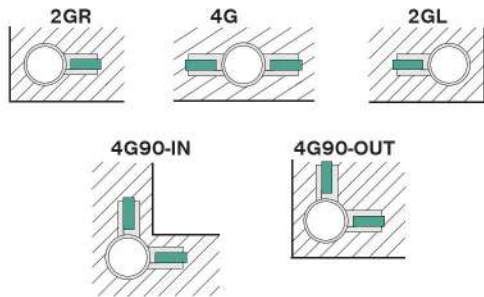
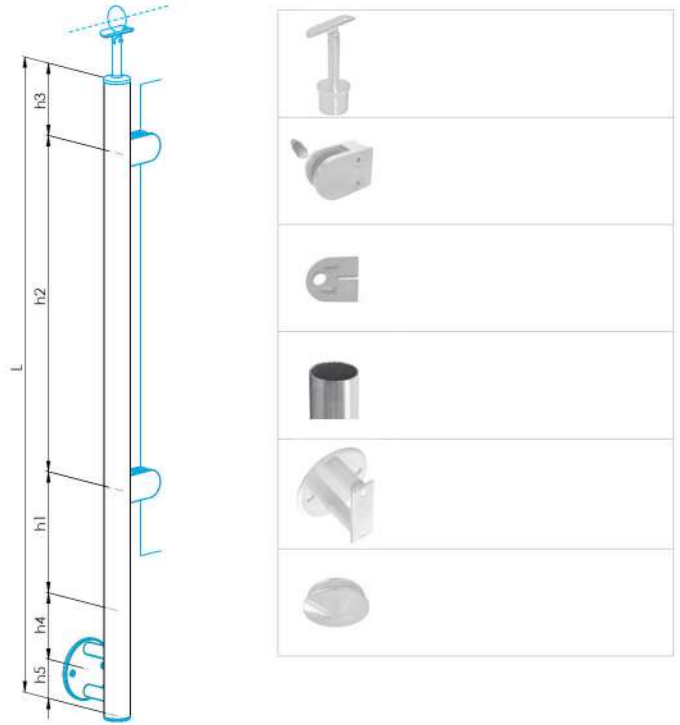
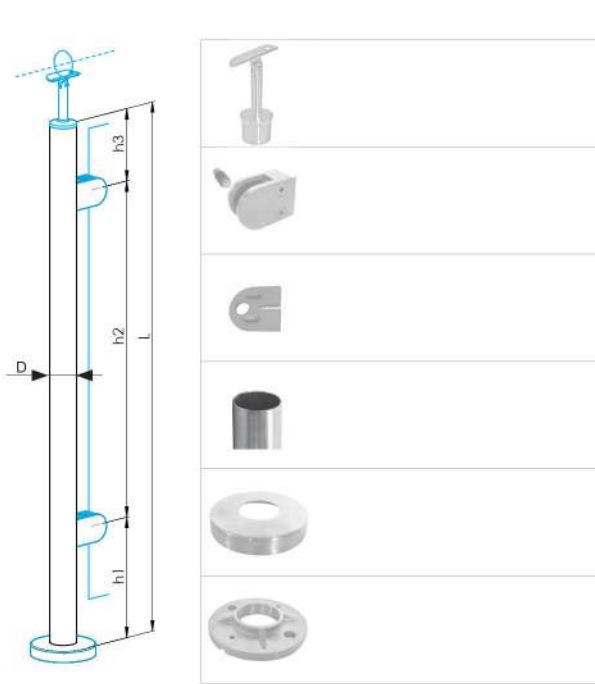


Quality	Finish	D	art.
AISI304	satin	42,4x2	A-VER-VR100
			A-VER-BR100

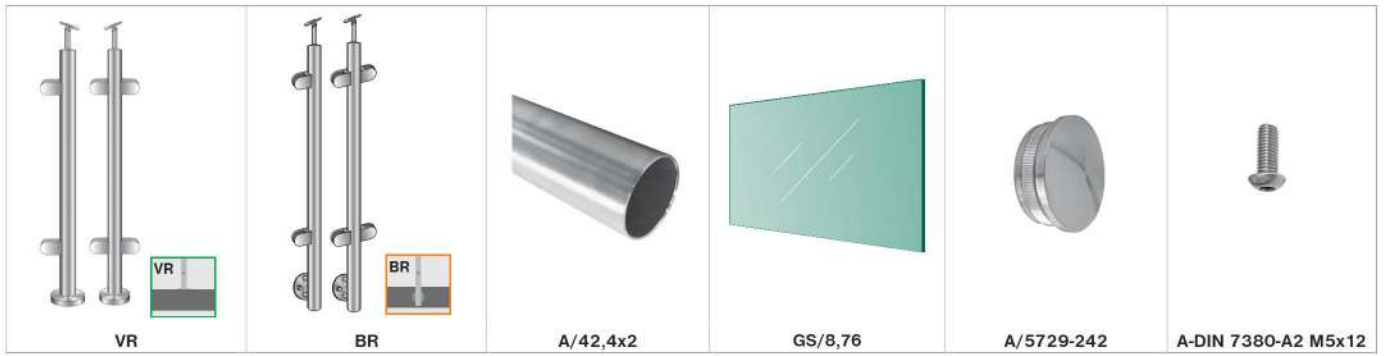
MODEL 1000/VER



Quality	Finish	D	art.
AISI304	satin	40x40x2	AJP-VER-VR100
			AJP-VER-BR100

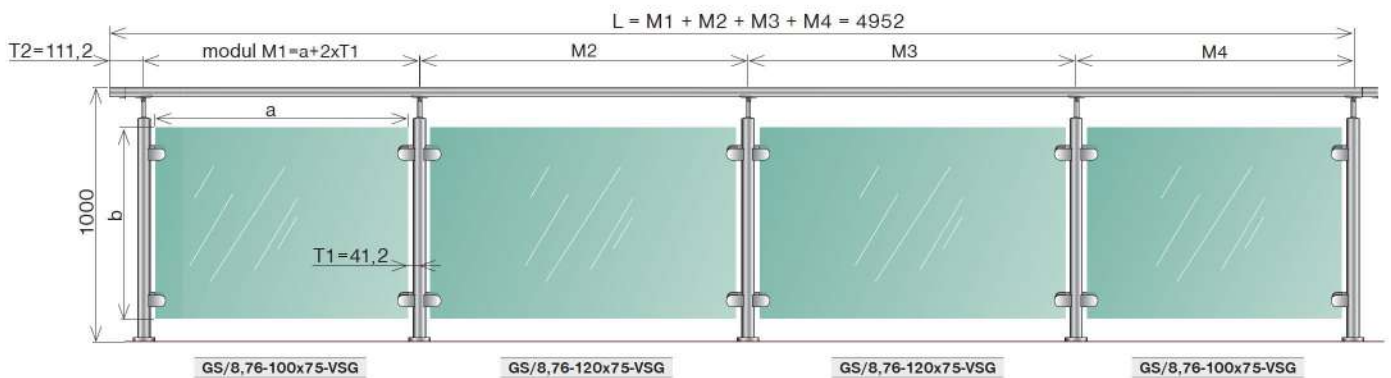


Quality	Finish	D	art.	L	h1	h2	h3	2GR	2GL	4G	4G90-IN	4G90-OUT	Pcs
AISI304	satin	42,4x2	ATYP-INOX A/42,4										
			ATYP-INOX A/42,4-L										
AISI316			ATYP-INOX A14/42,4										
AISI304	natural	40x40	ATYP-INOX A/40x40										
AISI316			ATYP-INOX A14/40x40										
Beech			ATYP-INOX WB/40x40										
		50	ATYP-INOX WB/D50										
Oak		40x40	ATYP-INOX WD/40x40										
		50	ATYP-INOX WD/D50										



	Quality	Finish	∅	art.	L	b	GS/8,76...	VR
	AISI304	satin	42,4x2	A/ZGVR100-1504	1500	1000	1x	2x
				A/ZGVR100-2786	3000		2x	3x
				A/ZGVR100-5350	6000		4x	5x

	Quality	Finish	∅	art.	L	b	GS/8,76...	BR
	AISI304	satin	42,4x2	A/ZGBR100-1504	1500	1000	1x	2x
				A/ZGBR100-2786	3000		2x	3x
				A/ZGBR100-5350	6000		4x	5x



Quality	art.	a	b	glass t
VSG/ESG 44.2	GS/8,76-70x75-VSG/ESG	700	750	8,76
	GS/8,76-80x75-VSG/ESG	800		
	GS/8,76-90x75-VSG/ESG	900		
	GS/8,76-100x75-VSG/ESG	1000		
VSG/ESG 55.2	GS/10,76-110x75-VSG/ESG	1100	750	10,76
	GS/10,76-120x75-VSG/ESG	1200		
VSG/ESG 44.2	GS/8,76-90x75-VSG/ESG-MILK	900	750	8,76
	GS/8,76-100x75-VSG/ESG-MILK	1000		
VSG/ESG 55.2	GS/10,76-120x75-VSG/ESG-MILK	1200	750	10,76

a	2xT1	Modul M M=a+2xT1	2xT2	L=M+2xT2
700	82,4	782,4	222,4	1004,8
800		882,4		1104,8
900		982,4		1204,8
1000		1082,4		1304,8
1100		1182,4		1404,8
1200		1282,4		1504,8

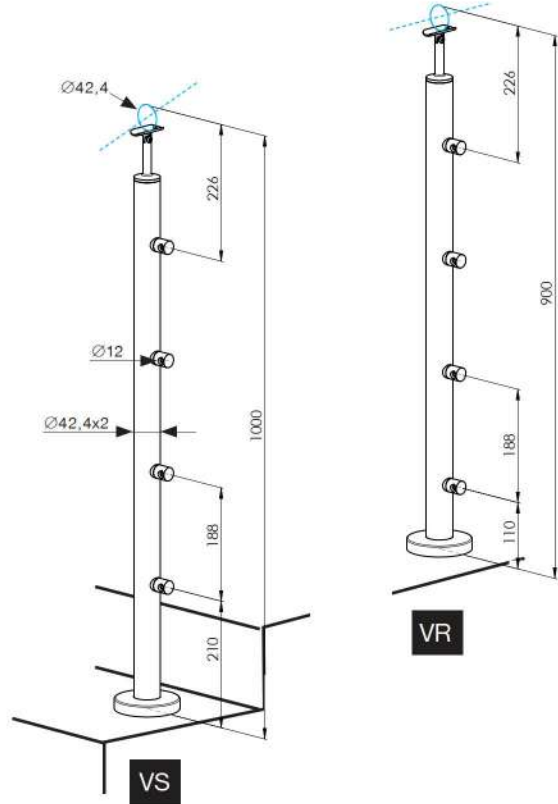
2.2 HORIZONTAL RAILING





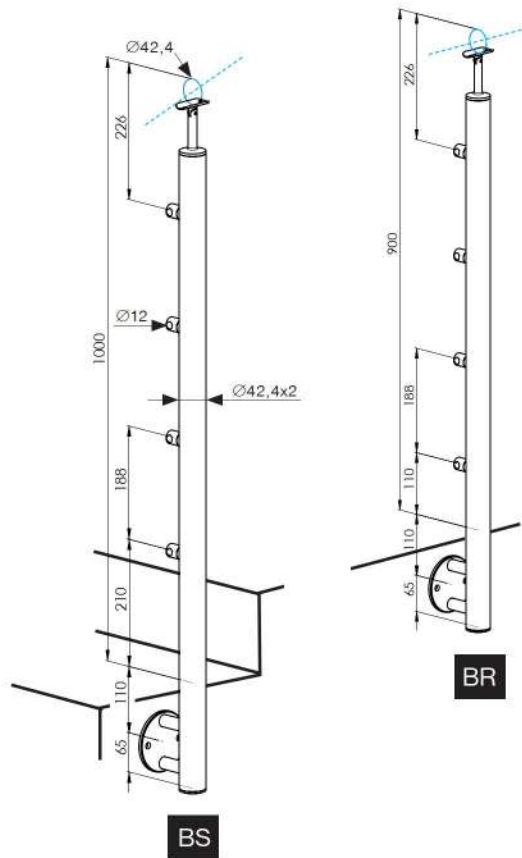
	1x
A/0718-242...	
	4x
A/0830-042...	
	1x
A/42,4x2...	
	1x
A/0512-042...	
	1x
A/0940-042-N	

Quality	Finish	art.
AISI304	satin	A-VR90-4D12
		A-VS90-4D12
	polish	A-VR90-4D12-L
		A-VS90-4D12-L



	1x
A/0718-242...	
	4x
A/0830-042...	
	1x
A/42,4x2...	
	1x
A6/021-6-A...	
	1x
A/5729-242...	

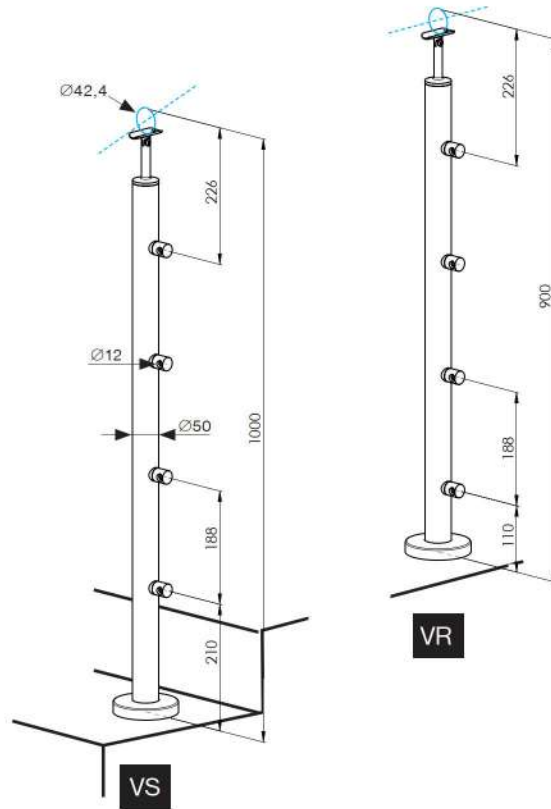
Quality	Finish	art.
AISI304	satin	A-BR90-4D12
		A-BS90-4D12
	polish	A-BR90-4D12-L
		A-BS90-4D12-L





	1x
A/0818-042	
	1x
A/1732-050-10	
	4x
A/0830-042	
	1x
WB/D50	
	1x
A/0512-050	
	1x
A6/80x5-M16	

Quality	Finish	art.
Beech	natural	WB-VR90-4D12
		WB-VS90-4D12

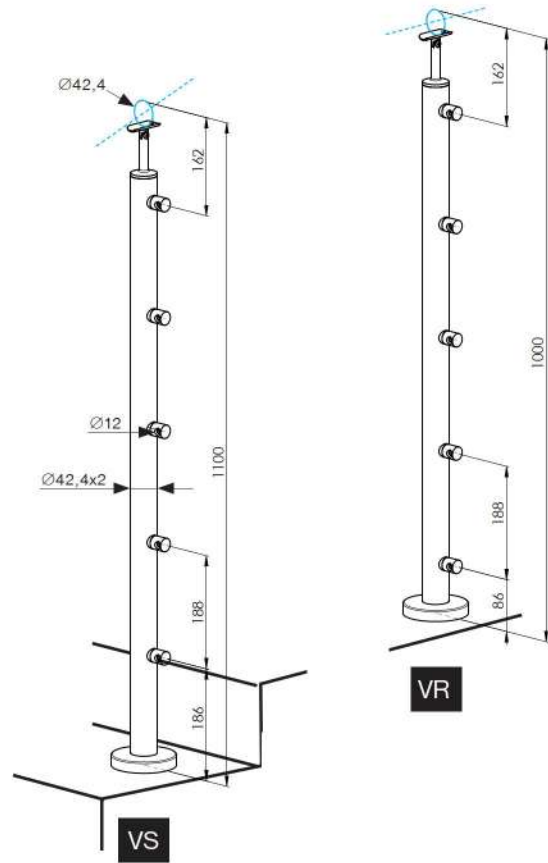


MODEL d12/1000-D42



	1x
A/0718-242...	
	5x
A/0830-042...	
	1x
A/42,4x2...	
	1x
A/0512-042...	
	1x
A/0940-042-N	

Quality	Finish	art.
AISI304	satin	A-VR100-5D12
		A-VS100-5D12
	polish	A-VR100-5D12-L
		A-VS100-5D12-L

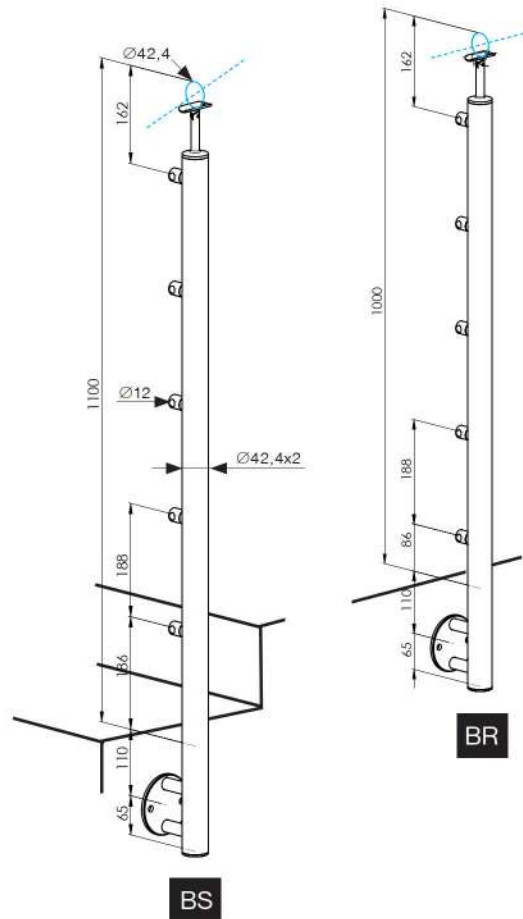


2.2
HORIZONTAL RAILING



	1x
A/0718-242...	
	4x
A/0830-042...	
	1x
A/42,4x2...	
	1x
A6/021-6-A...	
	1x
A/5729-242...	

Quality	Finish	art.
AISI304	satin	A-BR100-5D12
		A-BS100-5D12



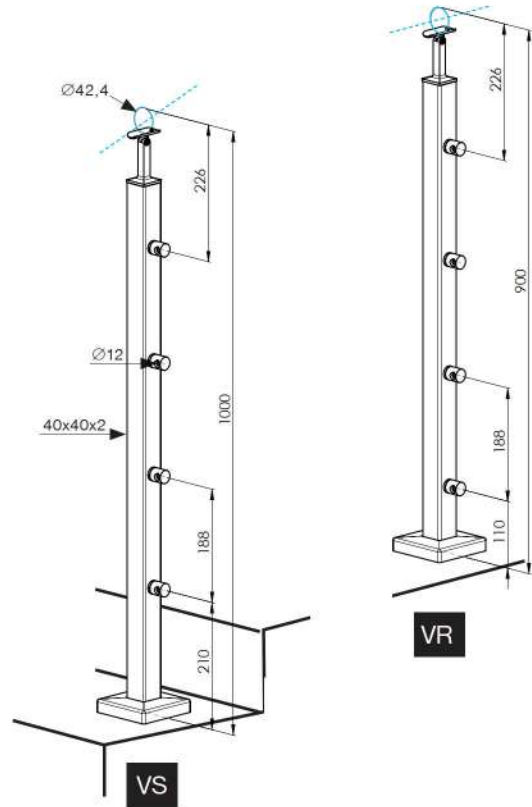
MODEL d12/900-40x40

2.2
HORIZONTAL RAILING



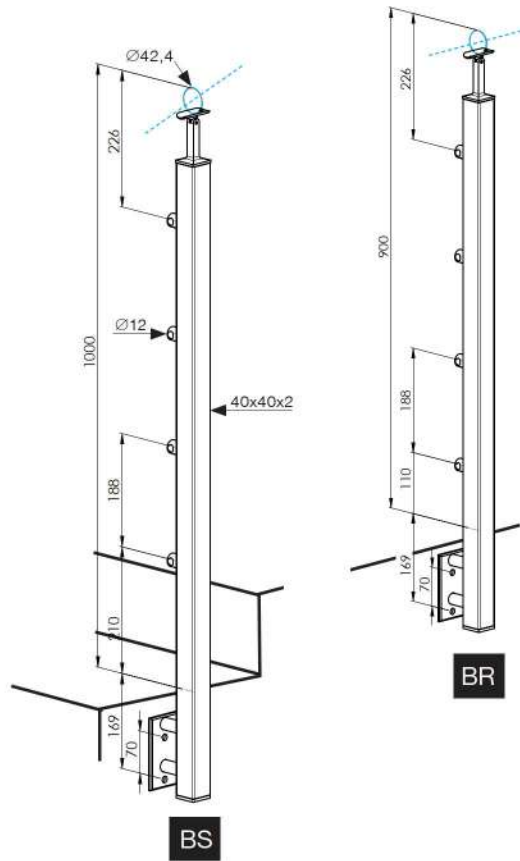
	1x
A/4718-042	
	4x
A/0830-000	
	1x
A/40x40x2	
	1x
A/4511-040	
	1x
A/4940-040	

Quality	Finish	art.
AISI304	satın	AJP-VR90-4D12
		AJP-VS90-4D12



	1x
A/4718-042	
	4x
A/0830-000	
	1x
A/40x40x2	
	1x
A6/005-4	
	1x
A/4732-040	

Quality	Finish	art.
AISI304	satın	AJP-BR90-4D12
		AJP-BS90-4D12

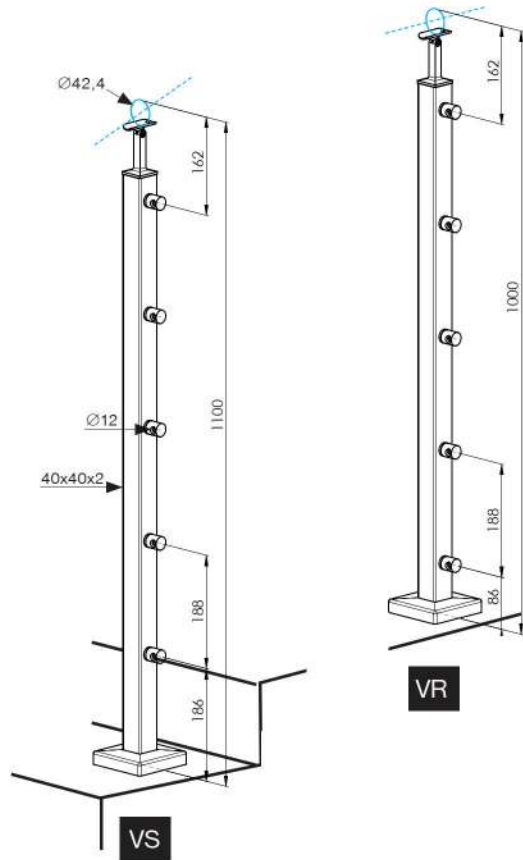


MODEL d12/1000-40x40



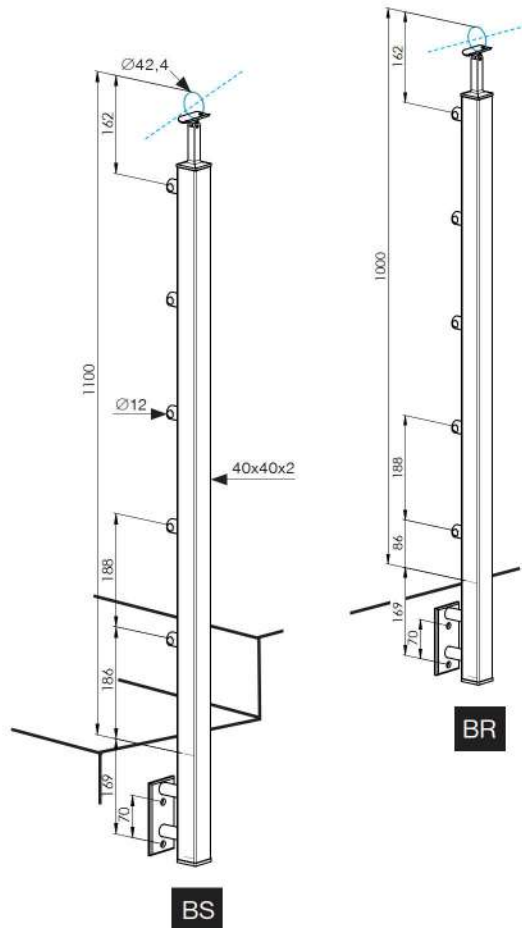
	1x
A/4718-042	
	5x
A/0830-000	
	1x
A/40x40x2	
	1x
A/4511-040	
	1x
A/4940-040	

Quality	Finish	art.
AISI304	satın	AJP-VR100-5D12
		AJP-VS100-5D12

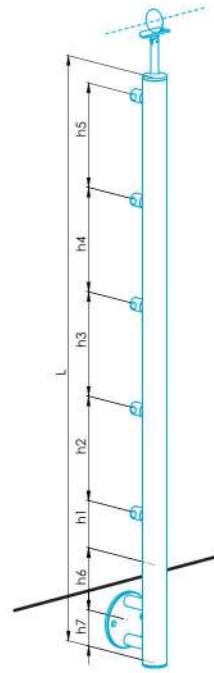
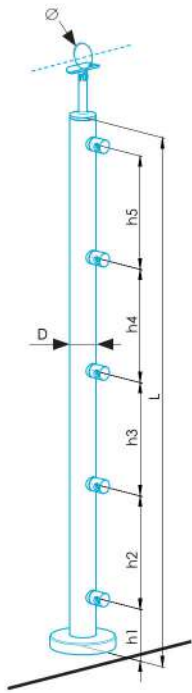


	1x
A/4718-042	
	5x
A/0830-000	
	1x
A/40x40x2	
	1x
A6/005-4	
	1x
A/4732-040	

Quality	Finish	art.
AISI304	satın	AJP-BR100-5D12
		AJP-BS100-5D12



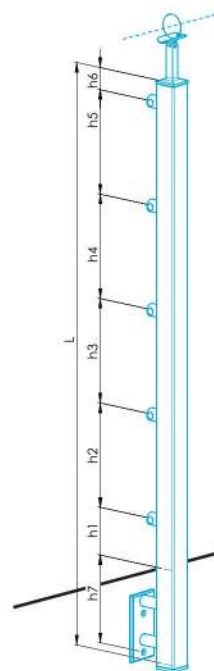
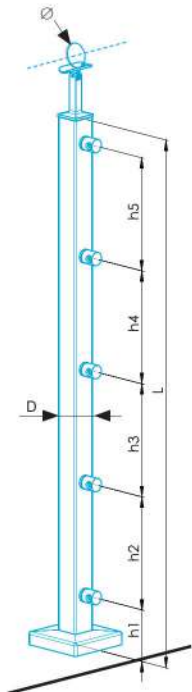
MODEL ATYP-INOX/D



Quality	Finish	D	art.	L	h1	h2	h3	h4	h5	h6	h7	Pcs
AISI304	satin	42,4x2	ATYP-INOX A/42,4									
	polish		ATYP-INOX A/42,4-L									
AISI316	satin		ATYP-INOX A14/42,4									
Beech	natural	50	ATYP-INOX WB/D50									
Oak			ATYP-INOX WD/D50									

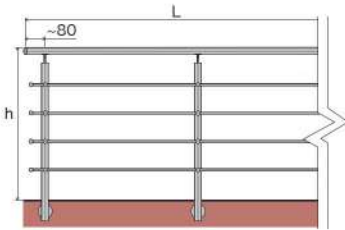
L-max. 1200mm, max. 7 holes

MODEL ATYP-INOX/40x40



Quality	Finish	D	art.	L	h1	h2	h3	h4	h5	h6	h7	Pcs
AISI304	satin	40x40x2	ATYP-INOX A/40x40									
AISI316			ATYP-INOX A14/40x40									
Beech	natural	40x40	ATYP-INOX WB/40x40									
Oak			ATYP-INOX WD/40x40									

L-max. 1200mm, max. 7 holes



Quality	Finish	∅	art.	L	h
AISI304	satin	42,4x2	A/ZVR90-1500	1500	900
			A/ZVR90-3000	3000	
			A/ZVR90-6000	6000	
			A/ZVR100-1500	1500	1000
			A/ZVR100-3000	3000	
			A/ZVR100-6000	6000	

Quality	Finish	∅	art.	L	h
AISI304	satin	42,4x2	A/ZVS90-1500	1500	900
			A/ZVS90-3000	3000	
			A/ZVS90-6000	6000	
			A/ZVS90-1500-L	1500	
			A/ZVS90-3000-L	3000	1000
			A/ZVS90-6000-L	6000	
			A/ZVS100-1500	1500	
			A/ZVS100-3000	3000	
A/ZVS100-6000	6000				

Quality	Finish	∅	art.	L	h
AISI304	satin	42,4x2	A/ZBR90-1500	1500	900
			A/ZBR90-3000	3000	
			A/ZBR90-6000	6000	
			A/ZBR100-1500	1500	1000
			A/ZBR100-3000	3000	
			A/ZBR100-6000	6000	

Quality	Finish	∅	art.	L	h
AISI304	satin	42,4x2	A/ZBS90-1500	1500	900
			A/ZBS90-3000	3000	
			A/ZBS90-6000	6000	
			A/ZBS100-1500	1500	1000
			A/ZBS100-3000	3000	
			A/ZBS100-6000	6000	



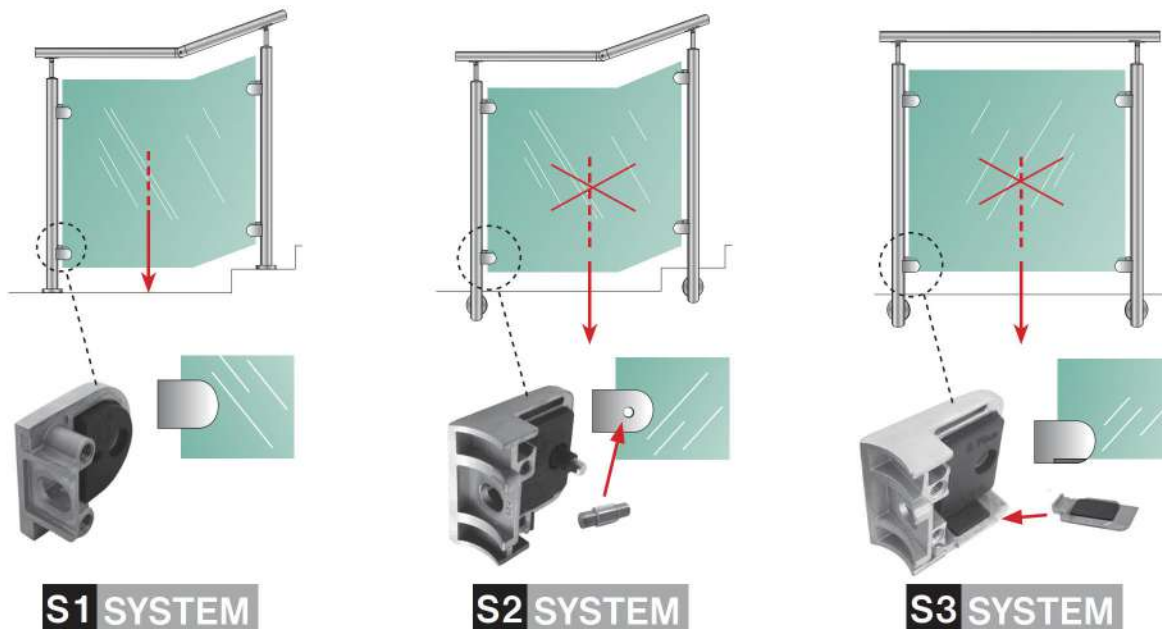
3 GLASS CLAMPS





3.1 GLASS CLAMPS AXIAL

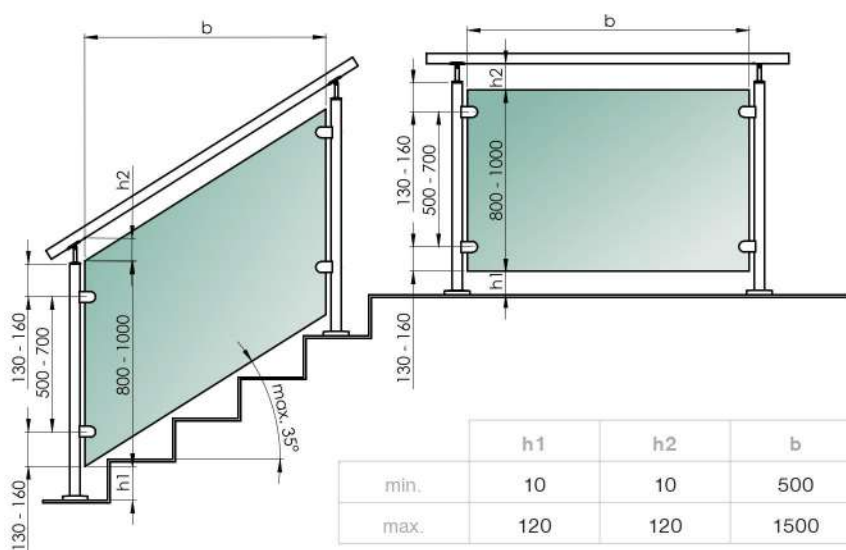




S1 SYSTEM

S2 SYSTEM

S3 SYSTEM



S1 SYSTEM

(kN/m ²)		b (mm)				
		500	750	1000	1250	1500
Glass VSG/ESG t (mm)	8,76	2	1,5	0,75	0,5	0,5
	10,76			1		
	12,76	2	1,5	1	0,5	
	16,76	2,5	2		1,5	
	17,52					







S2 SYSTEM S3 SYSTEM








(kN/m ²)		b (mm)				
		500	750	1000	1250	1500
Glass VSG/ESG t (mm)	8,76	2	1	0,5		
	10,76		1,5	1	0,5	
	12,76	2	1,5	1	0,5	0,5
	16,76	2,5	2		1,5	0,5
	17,52		2	1,5	1	

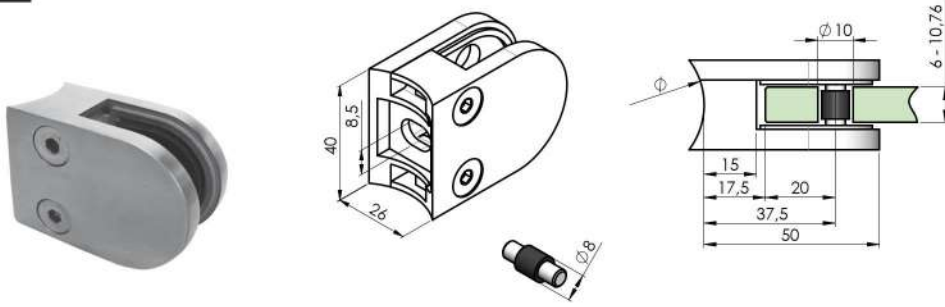
*Uvedené hodnoty sú orientačné nakoľko technické normy sa v jednotlivých krajinách líšia. Pri návrhu zábradlia je potrebné zohľadniť aj ďalšie faktory ako je veterná zóna, účel stavby, hĺbka prepadu, kotvenie stĺpika, ...





*The values given are just informative because the technical standards vary from country to country. When designing railings, other factors have to be taken in consideration such as wind zone, purpose of construction, depth of overflow, post anchorage, ...

3.1
GLASS CLAMPS

MODEL	SYSTEM			plate t											glass t														
	S1	S2	S3	1,5	2	3	4	6	6,76	8	8,76	10	10,76	12	12,76	13,52	16,76	17,52	20,76	21,52									
 MODEL 20		✓		1,5-3			6-10,76																						
 MODEL 22		✓		1,5-3			8-10,76																						
 MODEL 25		✓						6-12,76																					
 MODEL 250P		✓	✓					6-12,76																					
 MODEL 25FX								6-12,76																					
 MODEL 28	✓						4-6													8									

MODEL	SYSTEM			plate t											glass t										
	S1	S2	S3	1,5	2	3	4	6	6,76	8	8,76	10	10,76	12	12,76	13,52	16,76	17,52	20,76	21,52					
 MODEL 21	✓			1,5-3			6-10,76																		
 MODEL 23	✓							6-10,76																	
 MODEL 230P	✓	✓						6-10,76																	
 MODEL 23KP	✓	✓						8-12,76																	
 MODEL 24	✓	✓													12-17,52										
 MODEL 26	✓	✓						8-12,76																	
 MODEL 27	✓	✓																17,52-21,52							
 MODEL 28	✓			4-6		8																			



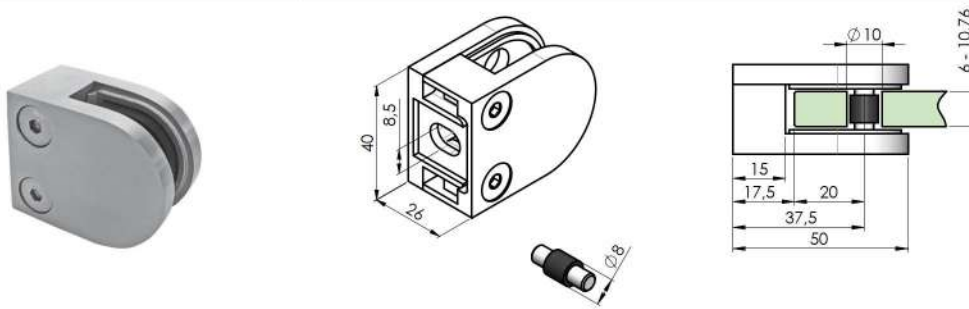
Quality	Finish	art.	Ø					Test
						A-DIN 912-A2 M8x20	A19/04-PVC	
AISI304	satin	A/2000-033	33,7		1x			
		A/2000-042	42,4	✓				
	A/2000-042-set4				4x	4x	8x	
	A/2000-048	48,3						
polish	A/2000-042-L	42,4		✓				
	A/2000-048-L	48,3						
AISI316	satin	A14/2000-033	33,7		1x			
		A14/2000-042	42,4					
		A14/2000-048	48,3					
	polish	A14/2000-033-L	33,7		✓			
		A14/2000-042-L	42,4					
		A14/2000-048-L	48,3					

top



ZAMAK	raw	ZN/2000-033	33,7					
		ZN/2000-042	42,4					
	satin	ZN-SATIN/2000-042	42,4		✓	1x		
	polish	ZN-POLISH/2000-042	42,4					

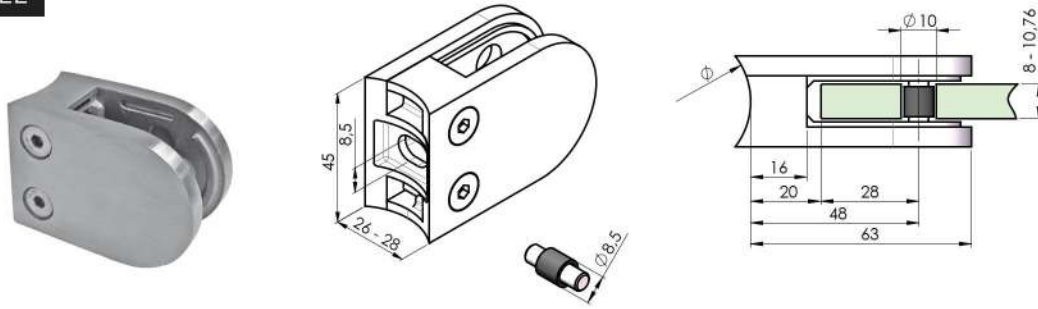
	plate t			glass t					
	1,5	2	3	6	6,76	8	8,76	10	10,76
	A19/20-0015	A19/20-002	A19/20-003	A19/20-006	A19/20-007	A19/20-008	A19/20-009	A19/20-010	A19/20-011



Quality	Finish	art.				Test
				A-DIN 912-A2 M8x20	A19/04-PVC	
AISI304	satin	A/2000-000	1x			
		A/2000-000-set4	4x	4x	8x	
	polish	A/2000-000-L				
AISI316	satin	A14/2000-000	1x			
	polish	A14/2000-000-L				
ZAMAK	raw	ZN/2000-000	1x			
	polish	ZN-POLISH/2000-000				



	plate t			glass t					
	1,5	2	3	6	6,76	8	8,76	10	10,76
	A19/20-0015	A19/20-002	A19/20-003	A19/20-006	A19/20-007	A19/20-008	A19/20-009	A19/20-010	A19/20-011



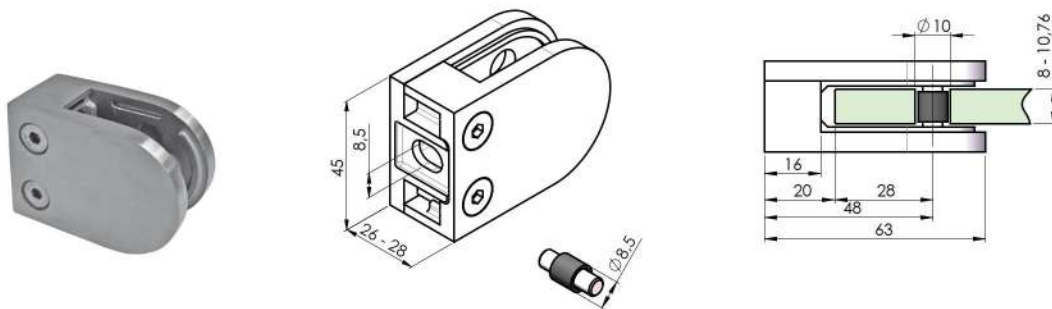
Quality	Finish	art.	Ø	90°		A-DIN 912-A2 M8x20	A19/04-PVC	Test
AISI304	satin	A/2200-042				1x		
		A/2200-042-SCREW	42,4			1x	1x	
		A/2200-042-set4				4x	4x	8x
		A/2200-048	48,3			1x		
	polish	A/2200-048-set4				4x	4x	8x
		A/2200-042-L	42,4					
		A/2200-048-L	48,3	✓	1x			
AISI316	satin	A14/2200-042				4x	4x	8x
		A14/2200-042-set4	42,4					
		A14/2200-048	48,3			1x		
		A14/2200-042-L	42,4					
	polish	A14/2200-042-L-set4				4x	4x	8x
		A14/2200-048-L	48,3			1x		
ZAMAK	raw	ZN/2200-042	42,4	✓	1x			
	satin	ZN-SATIN/2200-042						

top



GAMIN

	plate t			glass t			
	1,5	2	3	8	8,76	10	10,76
	A19/22-0015	A19/22-002	A19/22-003	A19/22-008	A19/22-009	A19/22-010	A19/22-011



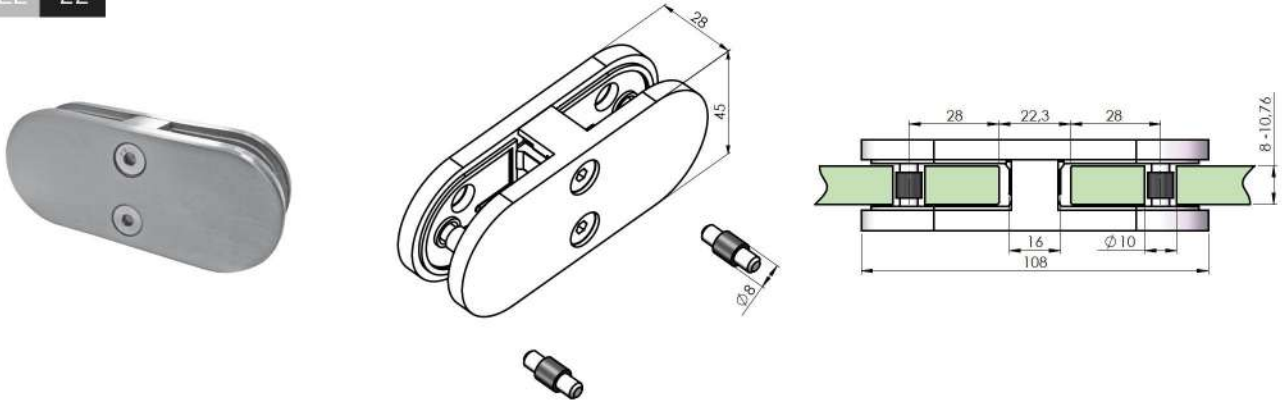
Quality	Finish	art.		A-DIN 912-A2 M8x20	A19/04-PVC	Test
AISI304	satin	A/2200-000	1x			
		A/2200-000-set4	4x	4x	8x	
	polish	A/2200-000-L	1x			
AISI316	satin	A14/2200-000	4x	4x	8x	
		A14/2200-000-set4				
	polish	A14/2200-000-L	4x	4x	8x	
		A14/2200-000-L-set4				
ALUMINIUM	natural	AL/2200-000	1x			
ZAMAK	raw	ZN/2200-000	1x			



GAMIN

	plate t			glass t			
	1,5	2	3	8	8,76	10	10,76
	A19/22-0015	A19/22-002	A19/22-003	A19/22-008	A19/22-009	A19/22-010	A19/22-011

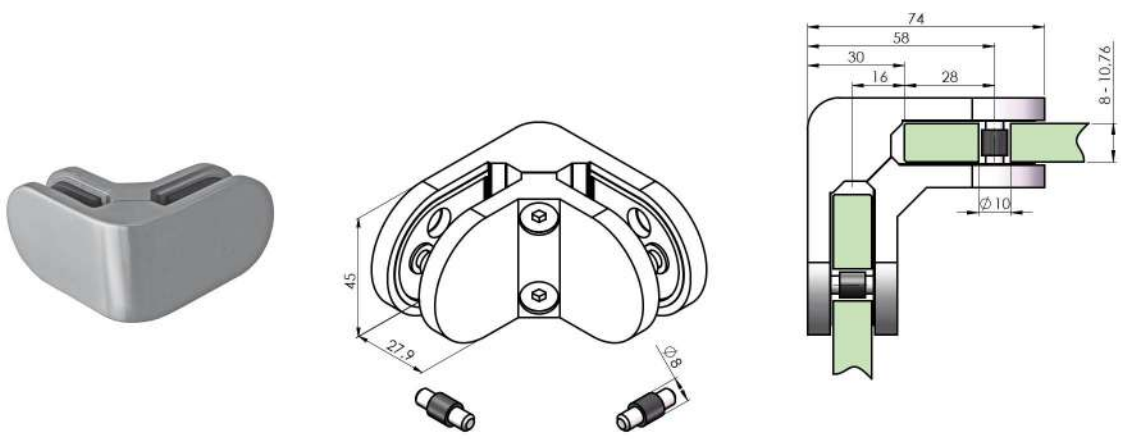
MODEL 22



Quality	Finish	art.			Test
AISI316	satın	A14/2200-700	1x	A19/04-PVC	GAMIN

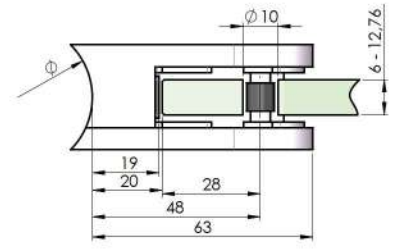
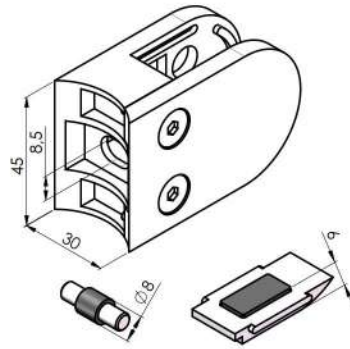
	plate t			glass t			
	1,5	2	3	8	8,76	10	10,76
	A19/22-0015	A19/22-002	A19/22-003	A19/22-008	A19/22-009	A19/22-010	A19/22-011







3.1
GLASS CLAMPS



Quality	Finish	art.			Test
AISI316	satın	A14/2200-900-B	1x	A19/04-PVC	GAMIN

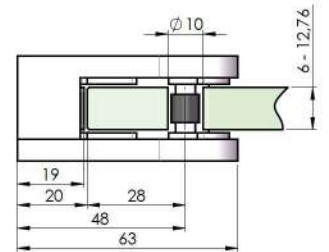
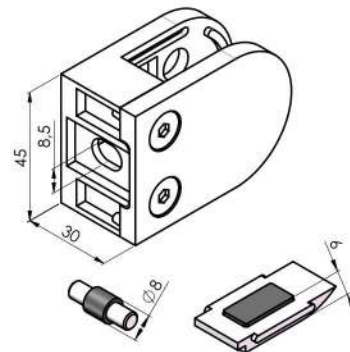
	plate t			glass t			
	1,5	2	3	8	8,76	10	10,76
	A19/22-0015	A19/22-002	A19/22-003	A19/22-008	A19/22-009	A19/22-010	A19/22-011



Quality	Finish	art.	Ø					Test
AISI304	satin	A/250P-042	42,4	✓	1x			 
		A/250P-042-set4			4x	4x	8x	
		A/250P-048-set4			4x	4x	8x	

ZAMAK	raw	ZN/250P-042	42,4	✓	1x			
-------	-----	-------------	------	---	----	--	--	--

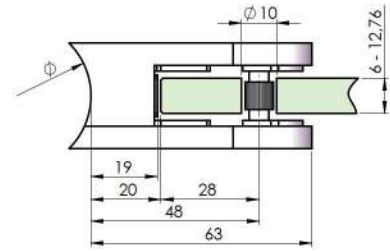
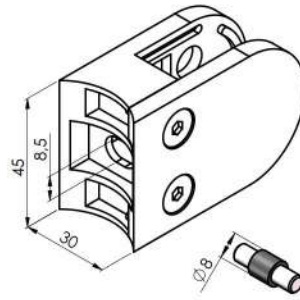
	glass t							
	6	6,76	8	8,76	10	10,76	12	12,76
A19/25-006	A19/25-007	A19/25-008	A19/25-009	A19/25-010	A19/25-011	A19/25-012	A19/25-013	



Quality	Finish	art.				Test
AISI304	satin	A/250P-000	1x			 
		A/250P-000-set4	4x	4x	8x	

ZAMAK	raw	ZN/250P-000	1x			
-------	-----	-------------	----	--	--	--

	glass t							
	6	6,76	8	8,76	10	10,76	12	12,76
A19/25-006	A19/25-007	A19/25-008	A19/25-009	A19/25-010	A19/25-011	A19/25-012	A19/25-013	



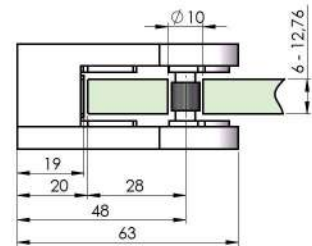
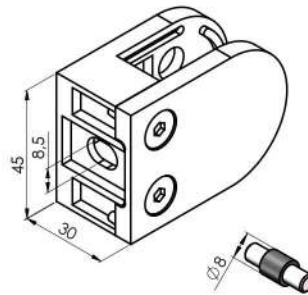
Quality	Finish	art.	∅					Test
AISI304	satin	A/2500-042	42,4		1x			 
		A/2500-048	48,3		1x			
		A/2500-048-set4		4x	4x	8x		
AISI316	satin	A14/2500-042	42,4	✓	1x			
		A14/2500-048	48,3					
	polish	A14/2500-042-L	42,4		1x			

top

3.1

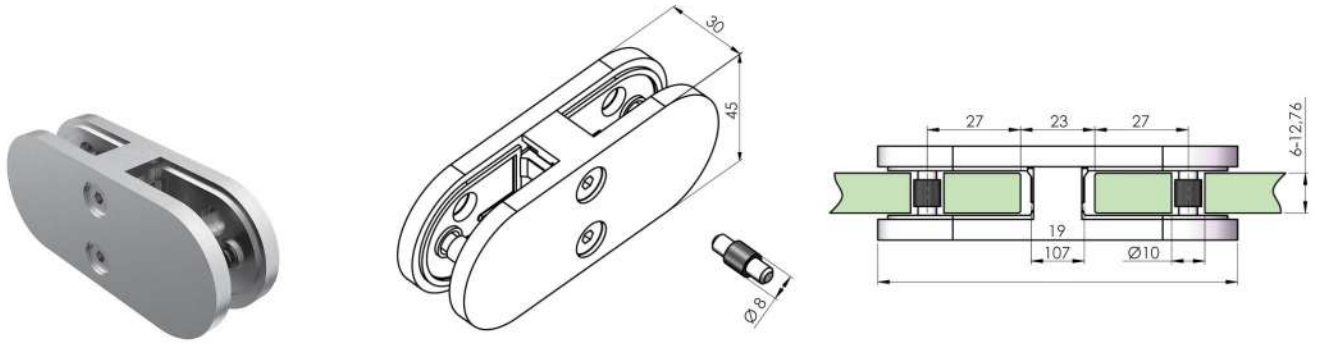
GLASS CLAMPS

	glass t							
	6	6,76	8	8,76	10	10,76	12	12,76
	A19/25-006	A19/25-007	A19/25-008	A19/25-009	A19/25-010	A19/25-011	A19/25-012	A19/25-013



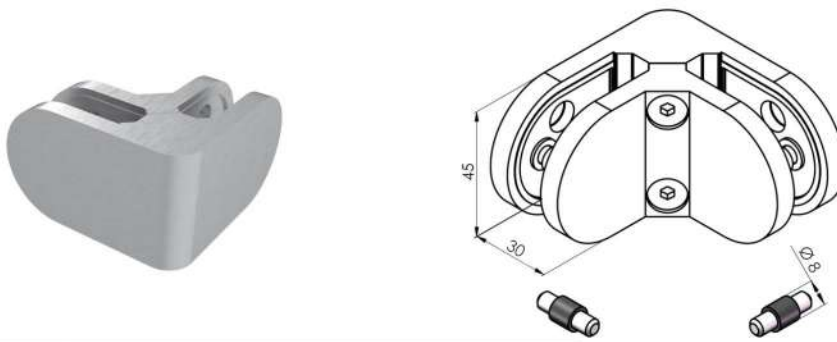
Quality	Finish	art.				Test
AISI304	satin	A/2500-000	1x	A-DIN 912-A2 M8x20	A19/04-PVC	 
AISI316		A14/2500-000	1x			
ZAMAK	raw	ZN/2500-000	1x			

	glass t							
	6	6,76	8	8,76	10	10,76	12	12,76
	A19/25-006	A19/25-007	A19/25-008	A19/25-009	A19/25-010	A19/25-011	A19/25-012	A19/25-013



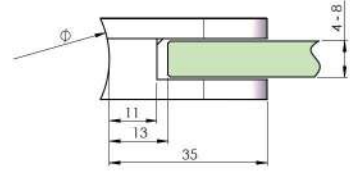
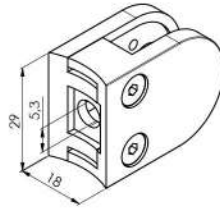
Quality	Finish	art.		
AISI316	satın	A14/2500-700	1x	A19/04-PVC



	8	8,76	10	10,76	12	12,76
	A19/25-008	A19/25-009	A19/25-010	A19/25-011	A19/25-012	A19/25-013



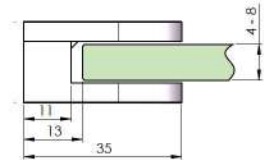
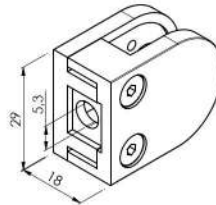
Quality	Finish	art.		
AISI316	satın	A14/2500-900	1x	A19/04-PVC

	8	8,76	10	10,76	12	12,76
	A19/25-008	A19/25-009	A19/25-010	A19/25-011	A19/25-012	A19/25-013



Quality	Finish	art.	∅				Test
AISI304	satin	A/2800-033	33,7	✓	1x	A-DIN 912-A2 M5x20	
		A/2800-042	42,4				

	glass t		
		4	6
	A19/28-004	A19/28-006	A19/28-008

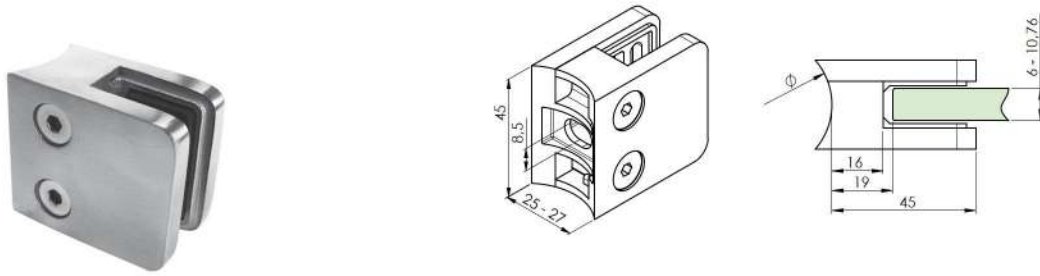


Quality	Finish	art.			Test
AISI304	satin	A/2800-000	1x	A-DIN 912-A2 M5x20	

	glass t		
		4	6
	A19/28-004	A19/28-006	A19/28-008

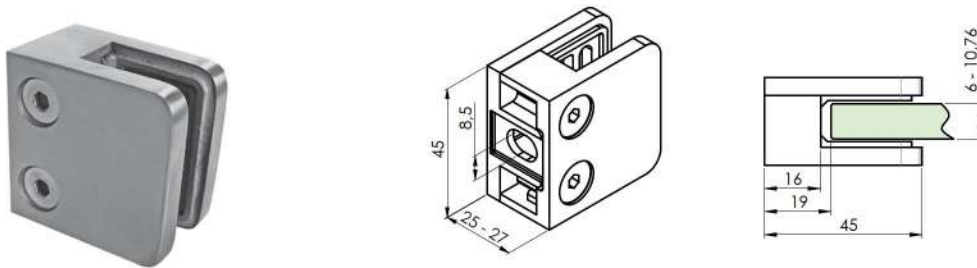
3.1

GLASS CLAMPS



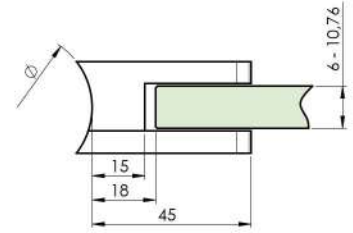
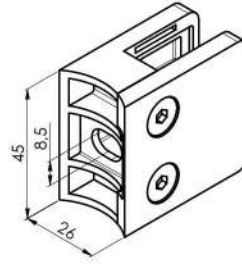
Quality	Finish	art.	Ø	90°				Test
						A-DIN 912-A2 M8x20	A19/04-PVC	
AISI304	satin	A/2100-033	33,7		1x			
		A/2100-042	42,4					
		A/2100-042-set4	42,4	✓	4x	4x	8x	
		A/2100-048	48,3					
	polish	A/2100-042-L	42,4					
AISI316	satin	A14/2100-033	33,7		1x			
		A14/2100-042	42,4					
		A14/2100-048	48,3	✓				
		A14/2100-042-L	42,4					
	polish	A14/2100-042-L	42,4					
ZAMAK	raw	ZN/2100-042						
	polish	ZN-POLISH/2100-042	42,4	✓	1x			

	plate t			glass t					
	1,5	2	3	6	6,76	8	8,76	10	10,76
	A19/21-0015	A19/21-002	A19/21-003	A19/21-006	A19/21-007	A19/21-008	A19/21-009	A19/21-010	A19/21-011



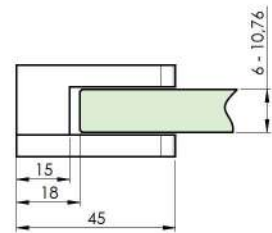
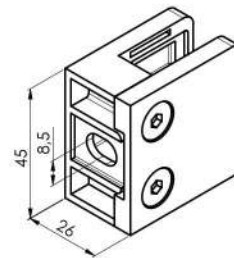
Quality	Finish	art.				Test
				A-DIN 912-A2 M8x20	A19/04-PVC	
AISI304	satin	A/2100-000	1x			
		A/2100-000-set4	4x	4x	8x	
		A/2100-000-L				
	polish	A/2100-000-L				
AISI316	satin	A14/2100-000	1x			
		A14/2100-000-L				
	polish	A14/2100-000-L				
ZAMAK	raw	ZN/2100-000				
	polish	ZN-POLISH/2100-000	1x			

	plate t			glass t					
	1,5	2	3	6	6,76	8	8,76	10	10,76
	A19/21-0015	A19/21-002	A19/21-003	A19/21-006	A19/21-007	A19/21-008	A19/21-009	A19/21-010	A19/21-011



Quality	Finish	art.	∅					Test	
AISI304	satin	A/2300-042	42,4	✓	1x	A-DIN 912-A2 M8x20	A19/04-PVC	 GAMIN	
	polish	A/2300-042-L			4x				4x
AISI316	satin	A14/2300-042			1x				
	polish	A14/2300-042-L							

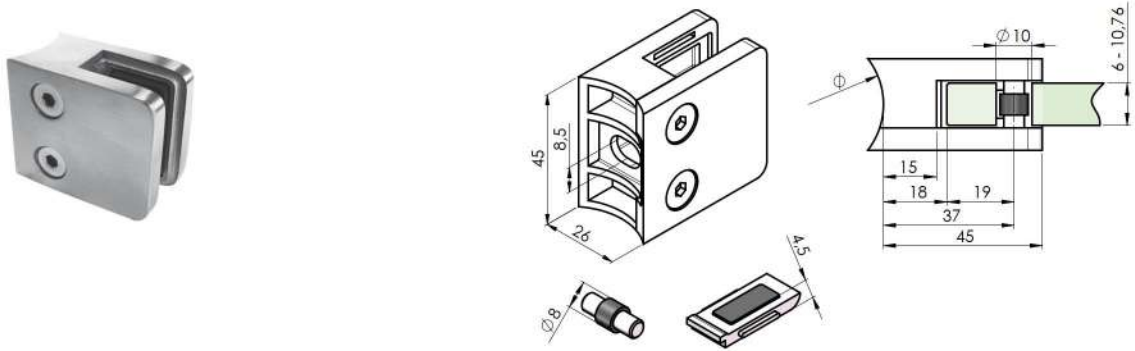
	glass t					
	6	6,76	8	8,76	10	10,76
	A19/23-P06/K08	A19/23-P07/K09	A19/23-P08/K10	A19/23-P09/K11	A19/23-P10/K12	A19/23-P11/K13



Quality	Finish	art.				Test
AISI304	satin	A/2300-000	1x	A-DIN 912-A2 M8x20	A19/04-PVC	 GAMIN
	polish	A/2300-000-L	4x			
AISI316	satin	A14/2300-000	1x			
	polish	A14/2300-000-L				
ALUMINIUM	natural	AL/2300-000	1x			
ZAMAK	raw	ZN/2300-000	1x			

top

	glass t					
	6	6,76	8	8,76	10	10,76
	A19/23-P06/K08	A19/23-P07/K09	A19/23-P08/K10	A19/23-P09/K11	A19/23-P10/K12	A19/23-P11/K13

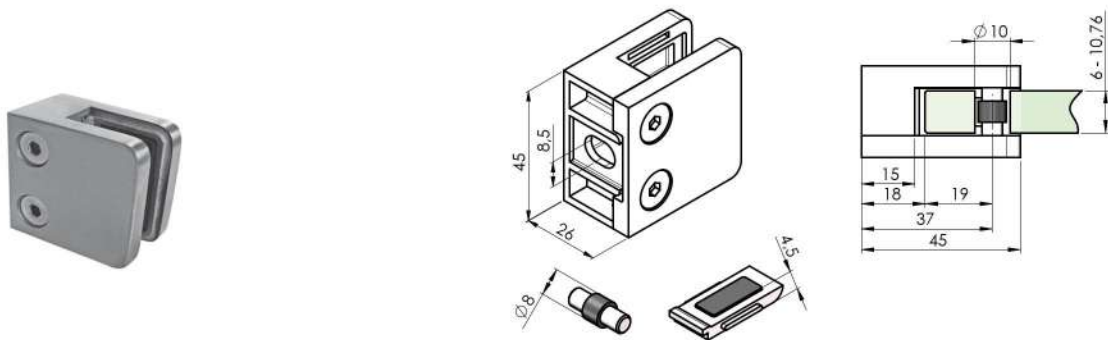


Quality	Finish	art.	Ø	90°				Test
AISI304	satin	A/230P-033	33,7	-	1x			 GAMIN
		A/230P-042	42,4		4x	4x	8x	
	A/230P-042-set4							
AISI316	polish	A/230P-042-L	42,4	✓				
	satin	A14/230P-042	42,4					
		A14/230P-048	48,3					
polish	A14/230P-042-L	42,4						

top

ZAMAK	raw	ZN/230P-042	42,4	✓	1x			
-------	-----	-------------	------	---	----	--	--	--

	glass t					
	6	6,76	8	8,76	10	10,76
	A19/23-P06/K08	A19/23-P07/K09	A19/23-P08/K10	A19/23-P09/K11	A19/23-P10/K12	A19/23-P11/K13



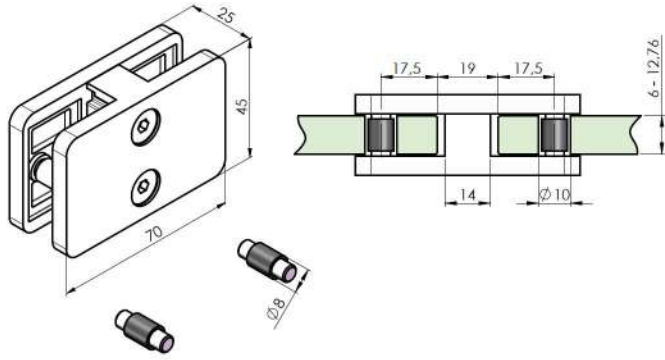
Quality	Finish	art.				Test
AISI304	satin	A/230P-000	1x			 GAMIN
		A/230P-000-set4	4x	4x	8x	
	polish	A/230P-000-L				
AISI316	satin	A14/230P-000	1x			
	polish	A14/230P-000-L				

top

ZAMAK	raw	ZN/230P-000	1x			
-------	-----	-------------	----	--	--	--

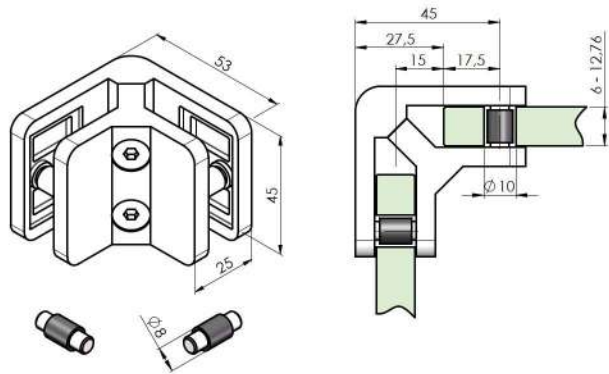
	glass t					
	6	6,76	8	8,76	10	10,76
	A19/23-P06/K08	A19/23-P07/K09	A19/23-P08/K10	A19/23-P09/K11	A19/23-P10/K12	A19/23-P11/K13

MODEL 230P



Quality	Finish	art.			Test
AISI316	satın	A14/230P-700	1x	A19/04-PVC	GAMIN

	glass t							
	6	6,76	8	8,76	10	10,76	12	12,76
	A19/23-P06/K08	A19/23-P07/K09	A19/23-P08/K10	A19/23-P09/K11	A19/23-P10/K12	A19/23-P11/K13	A19/23-P12	A19/23-P13

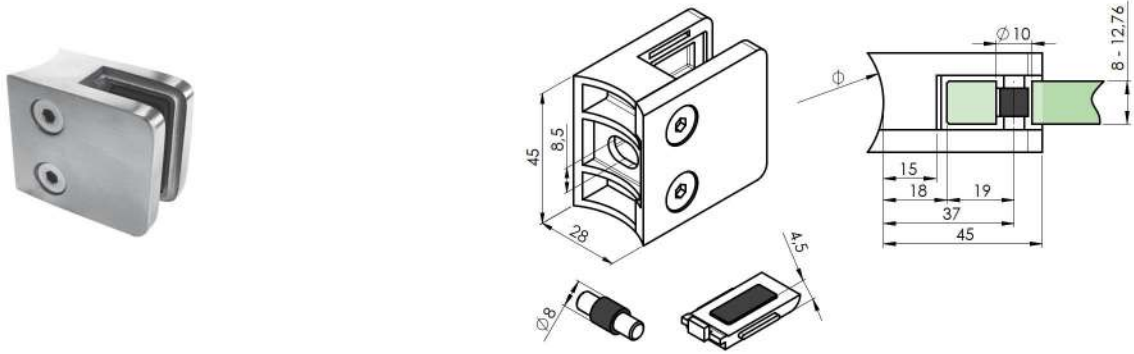


Quality	Finish	art.			Test
AISI316	satın	A14/230P-900	1x	A19/04-PVC	GAMIN

	glass t							
	6	6,76	8	8,76	10	10,76	12	12,76
	A19/23-P06/K08	A19/23-P07/K09	A19/23-P08/K10	A19/23-P09/K11	A19/23-P10/K12	A19/23-P11/K13	A19/23-P12	A19/23-P13

3.1

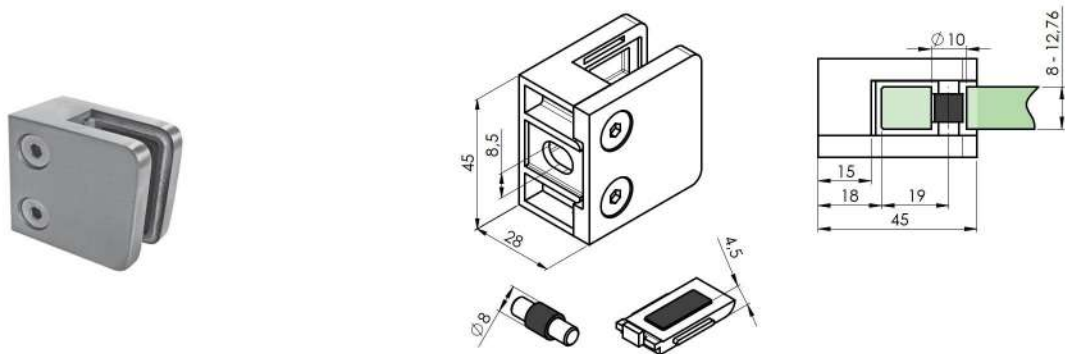
GLASS CLAMPS



Quality	Finish	art.	∅	90°				Test
AISI304	satın	A/23KP-042	42,4	✓	4x	4x	8x	 GAMIN
		A/23KP-042-set4						
AISI316	satın	A14/23KP-042						
	polish	A14/23KP-042-L						

A-DIN 912-A2 M8x20 A19/04-PVC

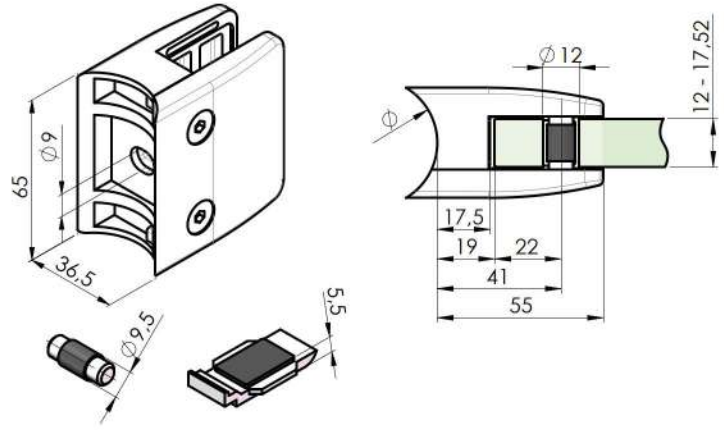
	glass t					
	8	8,76	10	10,76	12	12,76
	A19/23-P06/K08	A19/23-P07/K09	A19/23-P08/K10	A19/23-P09/K11	A19/23-P10/K12	A19/23-P11/K13



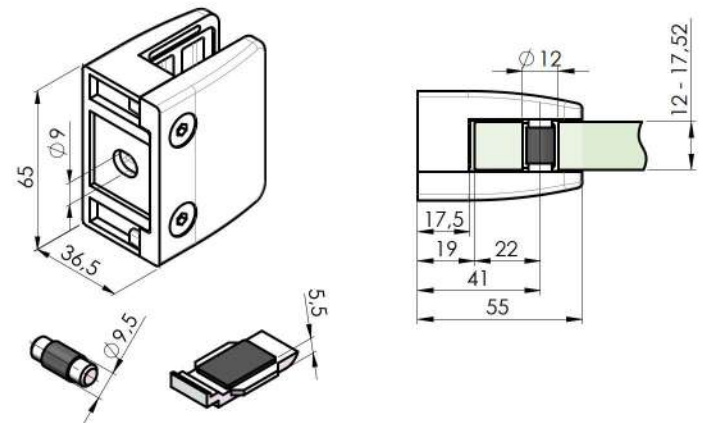
Quality	Finish	art.				Test
AISI304	satın	A/23KP-000	4x	4x	8x	 GAMIN
		A/23KP-000-set4				
	polish	A/23KP-000-L				
AISI316	satın	A14/23KP-000				
	polish	A14/23KP-000-L				

A-DIN 912-A2 M8x20 A19/04-PVC

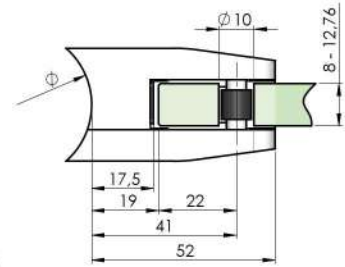
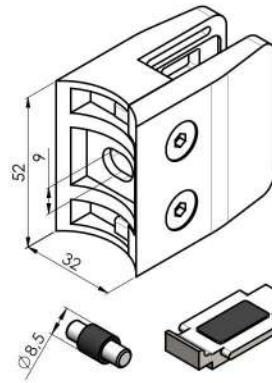
	glass t					
	8	8,76	10	10,76	12	12,76
	A19/23-P06/K08	A19/23-P07/K09	A19/23-P08/K10	A19/23-P09/K11	A19/23-P10/K12	A19/23-P11/K13



Quality	Finish	art.	Ø	90°				Test		
AISI304	satin	A/2400-042	42,4	-	1x	A-DIN 912-A2 M8x20	A19/04-PVC			
		A/2400-042-set4			4x				4x	8x
AISI316		A14/2400-042			1x					
		A14/2400-048			48,3					
ZAMAK	raw	ZN/2400-042	42,4	-	1x					
		glass t								
		12,00	12,76	13,52	16,76	17,52				
		A19/24-012	A19/24-013	A19/24-014	A19/24-017	A19/24-018				

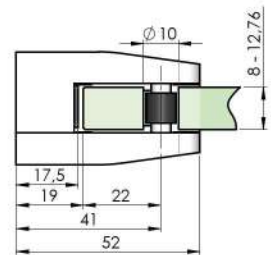
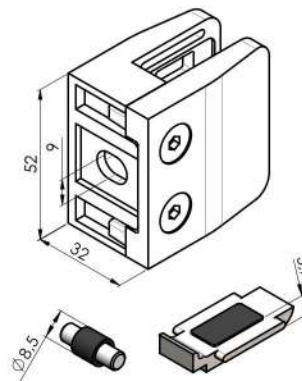


Quality	Finish	art.				Test		
AISI304	satin	A/2400-000	1x	A-DIN 912-A2 M8x20	A19/04-PVC			
		A/2400-000-set4	4x				4x	8x
		A14/2400-000	1x					
AISI316	polish	A14/2400-000-L-set4	4x	4x	8x			
ZAMAK	raw	ZN/2400-000	1x					
		glass t						
		12,00	12,76	13,52	16,76	17,52		
		A19/24-012	A19/24-013	A19/24-014	A19/24-017	A19/24-018		



Quality	Finish	art.	Ø					Test
AISI304		A/2600-042	42,4		1x			 
	satin	A/2600-042-set4			4x	4x	8x	
		A/2600-048	48,3	-				
AISI316		A14/2600-042	42,4		1x			
		A14/2600-048	48,3					
ZAMAK	raw	ZN/2600-042	42,4	-	1x			
		ZN/2600-048	48,3					
	satin	ZN-SATIN/2600-042	42,4					

	glass t					
	8	8,76	10	10,76	12	12,76
	A19/26-008	A19/26-009	A19/26-010	A19/26-011	A19/26-012	A19/26-013

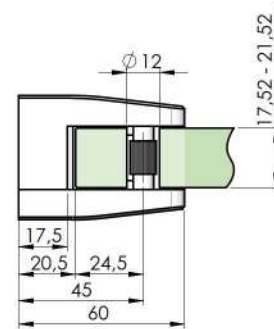
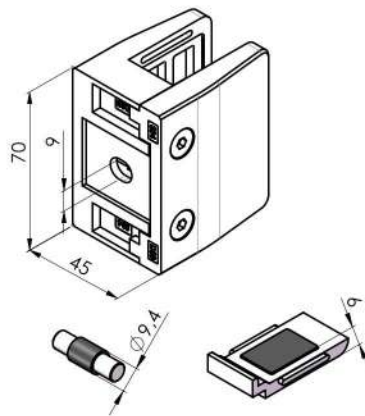


Quality	Finish	art.				Test
AISI304	satin	A/2600-000	1x			 
		A/2600-000-set4	4x	4x	8x	
AISI316		A14/2600-000	1x			
ZAMAK	raw	ZN/2600-000	1x			
		satin	ZN-SATIN/2600-000			

top

	glass t					
	8	8,76	10	10,76	12	12,76
	A19/26-008	A19/26-009	A19/26-010	A19/26-011	A19/26-012	A19/26-013

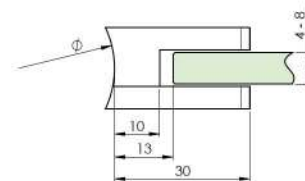
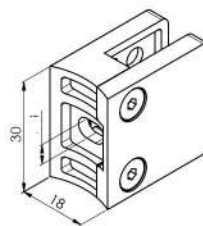
MODEL 27



Quality	Finish	art.				Test
AISI316	raw	A14/2700-000	1x	A-DIN 912-A2 M8x20	A19/04-PVC	GAMIN

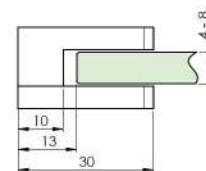
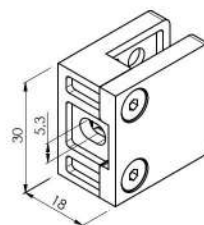
	glass t		
	17,52	20,76	21,52
A19/27-018	A19/27-021	A19/27-022	

MODEL 29



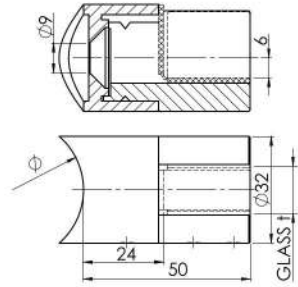
Quality	Finish	art.	\varnothing				Test
AISI304	satin	A/2900-033	33,7	✓	1x	A-DIN 912-A2 M5x20	GAMIN
		A/2900-042	42,4				

	glass t		
	4	6	8
A19/29-004	A19/29-006	A19/29-008	



Quality	Finish	art.			Test
AISI304	satin	A/2900-000	1x	A-DIN 912-A2 M5x20	GAMIN

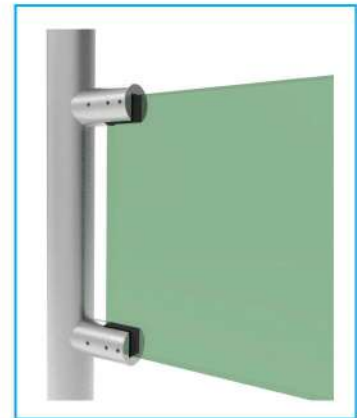
	glass t		
	4	6	8
A19/29-004	A19/29-006	A19/29-008	



Quality	Finish	Ø	art.	glass t			
AISI316	satin	flat	A14/0783-000	8 - 12,76	✓	1x	A4-DIN 7991 M8x20
		42,4	A14/0783-042		-		



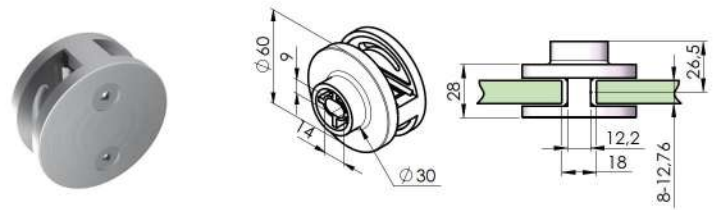
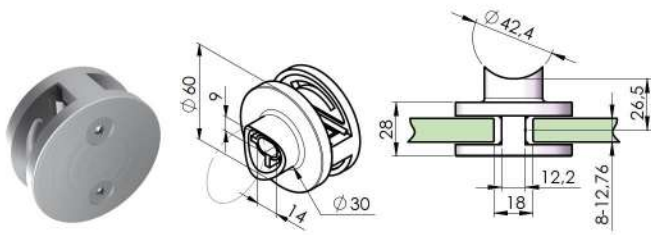
Quality	Finish	Ø	art.	glass t			
AISI316	satin	flat	A14/0782-000	8 - 12,76	✓	1x	A4-DIN 7991 M8x20
		42,4	A14/0782-042		-		



	glass t					
		8	8,76	10	10,76	12
	A19/07-009		A19/07-011		A19/07-013	

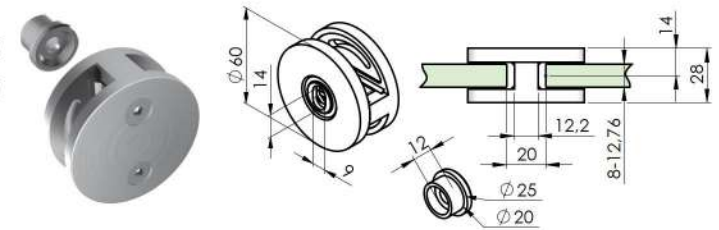
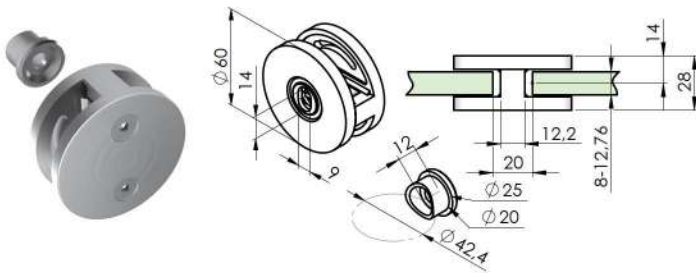
3.2 GLASS CLAMPS FRONT





Quality	Finish	art.			
AISI304	satin	A/4100-042	1x	A-DIN 7380-A2 M8x20	A19/04-PVC

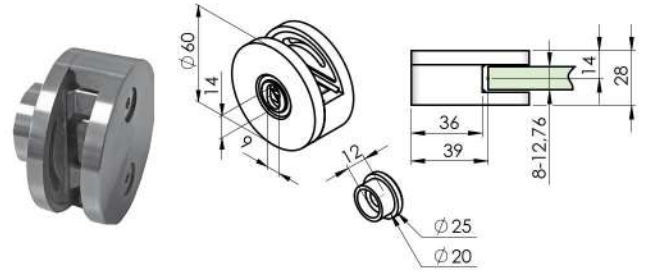
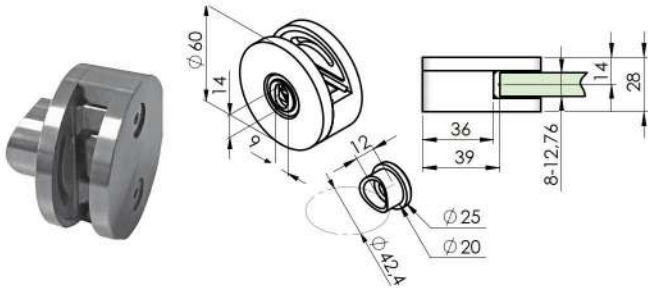
Quality	Finish	art.			
AISI304	satin	A/4100-000	1x	A-DIN 7380-A2 M8x20	A19/04-PVC



Quality	Finish	art.			
AISI304	satin	A/4100-742	1x	A-DIN 7380-A2 M8x20	A19/04-PVC

Quality	Finish	art.			
AISI304	satin	A/4100-700	1x	A-DIN 7380-A2 M8x20	A19/04-PVC

	glass t					
	8	8,76	10	10,76	12	12,76
	A19/4041-008	A19/4041-009	A19/4041-010	A19/4041-011	A19/4041-012	A19/4041-013

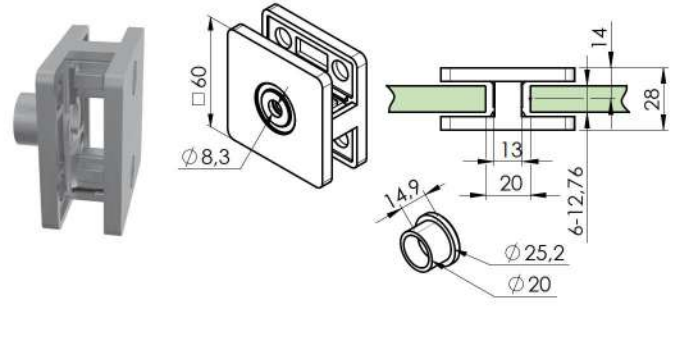
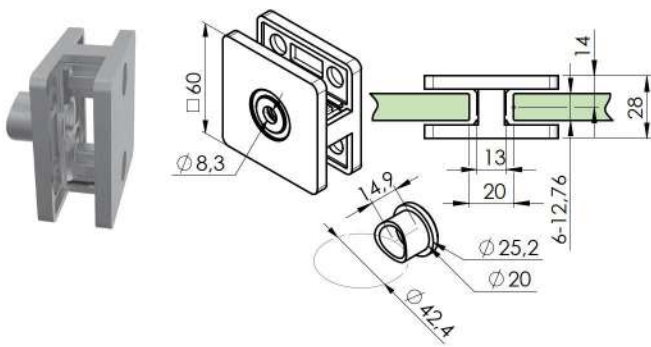


Quality	Finish	art.			
AISI304	satın	A/4000-742	1x	A-DIN 7380-A2 M8x20	A19/04-PVC

Quality	Finish	art.			
AISI304	satın	A/4000-700	1x	A-DIN 7380-A2 M8x20	A19/04-PVC

	glass t					
	8	8,76	10	10,76	12	12,76
	A19/4041-008	A19/4041-009	A19/4041-010	A19/4041-011	A19/4041-012	A19/4041-013

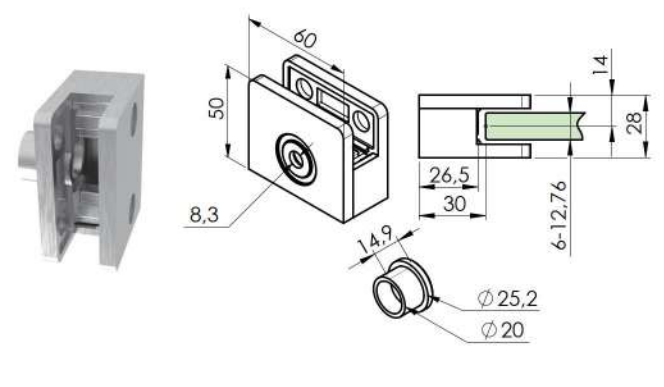
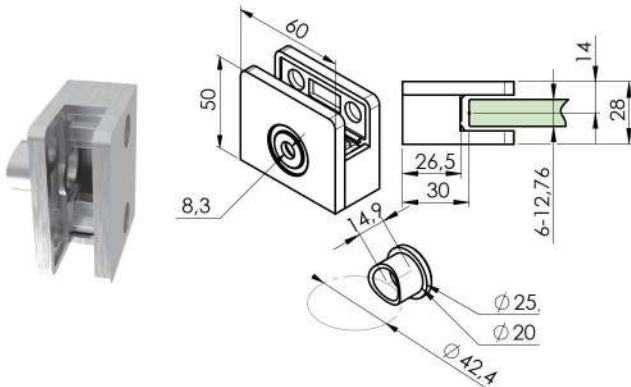
MODEL 21X



Quality	Finish	art.			
AISI316	satin	A14/2100-742	1x	A-DIN 7380-A2 M8x20	A19/04-PVC
	polish	A14/2100-742-L			


Quality	Finish	art.			
AISI316	satin	A14/2100-700	1x	A-DIN 7380-A2 M8x20	A19/04-PVC
	polish	A14/2100-700-L			

MODEL 21XX



Quality	Finish	art.			
AISI316	satin	A14/2110-742	1x	A-DIN 7380-A2 M8x20	A19/04-PVC
	polish	A14/2110-742-L			

Quality	Finish	art.			
AISI316	satin	A14/2110-700	1x	A-DIN 7380-A2 M8x20	A19/04-PVC
	polish	A14/2110-700-L			

	glass t							
	6	6,76	8	8,76	10	10,76	12	12,76
	A19/21-706	A19/21-707	A19/21-708	A19/21-709	A19/21-710	A19/21-711	A19/21-712	A19/21-713

top

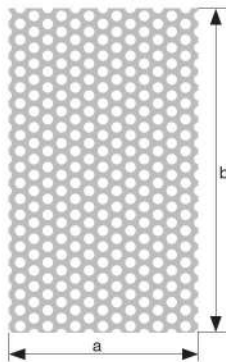
3.3 SHEET CLAMPS



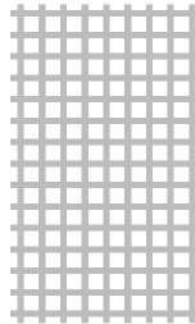
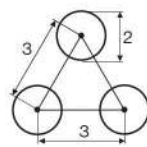
	plate t			
	1,5	2	3	
	A19/20-0015	A19/20-002	A19/20-003	
				MODEL 20

	plate t			
	1,5	2	3	
	A19/21-0015	A19/21-002	A19/21-003	
				MODEL 21

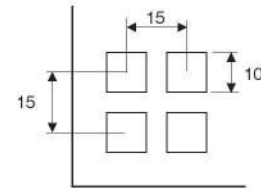
	plate t			
	1,5	2	3	
	A19/22-0015	A19/22-002	A19/22-003	
				MODEL 22



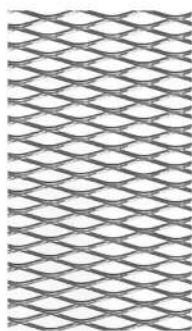
A/MR-2x3



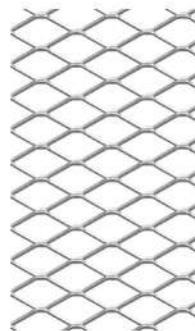
A/MR-10x15



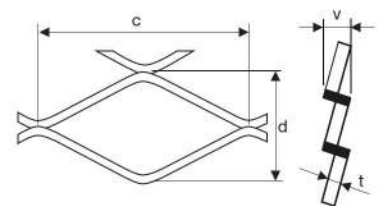
Quality	Finish	art.	axb	t
AISI304	satin	A/MR-2x3	1000x2000	1
		A/MR-10x15		2



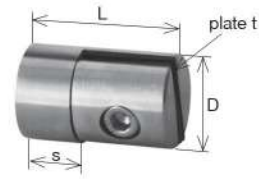
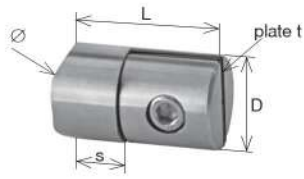
A/MR-28x13x2



A/MR-62x20x3



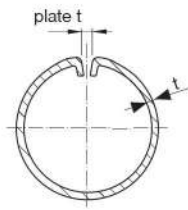
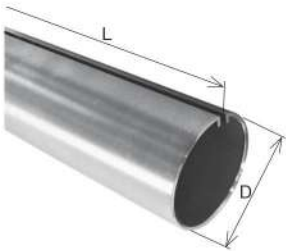
Quality	Finish	art.	axb	c	d	t	v
AISI304	satin	A/MR-28x13x2	1000x2000	28	13	1	3,8
		A/MR-62x20x3		62	20	2	5,7



Quality	Finish	Ø	art.	D	L	s	plate t
AISI304	satin	33,7	A/0743-033	25	40	15	1,5-4,0
		42,4	A/0743-042				
		48,3	A/0743-048				
AISI316		42,4	A14/0743-042				

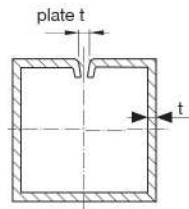
Quality	Finish	art.	D	L	s	plate t
AISI304	satin	A/0743-000	25	40	15	1,5-4,0
AISI316		A14/0743-000				

Top

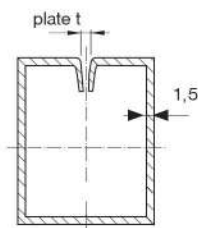
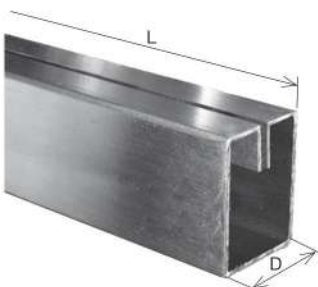


Quality	Finish	art.	D	L	plate t	t
AISI304	satin	A/18-frame	18	3000	1,7	1,25
		A/27-frame	27		1,3	1,50

Quality	Finish	art.	Compatibility
AISI304	satin	A/18-G90	A/18-frame
		A/27-G90	A/27-frame



Quality	Finish	art.	D	plate t	t	L
AISI304	satin	A/20x20x2-frame	20x20	1,5	1,2	3000
		A/30x30x4-frame	30x30	4	1,5	
		A/30x30x7,5-frame	30x30	7,5		



Quality	Finish	art.	D	plate t	L
AISI304	satin	A/20x30x2-frame	20x30	1,7	3000

Quality	Finish	art.	Compatibility
AISI304	satin	A/20x30x2-G90	A/20x30x2-frame

3.3 SHEET CLAMPS

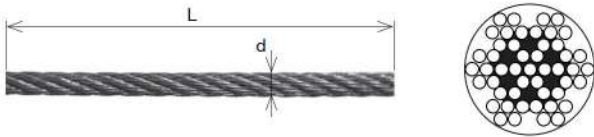
4 COMPONENTS





4.1 CABLE SYSTEM



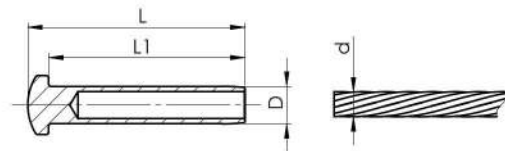


Quality	Finish	art.	d	L (m)
AISI316	raw	A14/7900-003-012	3	12,5
		A14/7900-003-025		25
		A14/7900-003-050		50
		A14/7900-003-100		100
		A14/7900-003-200		200
AISI316	raw	A14/7900-004-012	4	12,5
		A14/7900-004-025		25
		A14/7900-004-050		50
		A14/7900-004-100		100
		A14/7900-004-200		200
AISI316	raw	A14/7900-005-012	5	12,5
		A14/7900-005-025		25
		A14/7900-005-050		50
		A14/7900-005-100		100
		A14/7900-005-200		200

top

Quality	Finish	art.	d	L (m)
AISI316	raw	A14/7900-006-012	6	12,5
		A14/7900-006-025		25
		A14/7900-006-050		50
		A14/7900-006-100		100
		A14/7900-006-200		200
AISI316	raw	A14/7900-008-050	8	50
		A14/7900-008-100		100

SYSTEM FIX



Quality	Finish	art.	D1	L1	D	L	d
AISI316	satin	A14/7370-003	3,5	5,5	3	35	3
		A14/7370-004	4,4	6,3	4	35	4
		A14/7370-005	5,3	37	7,5	41	5
		A14/7370-006	6,5	47	9	52	6

SYSTEM FIX - VARIO



Quality	Finish	art.	d2	M	D
AISI316	satin	A14/7350-003	6,0	6	12
		A14/7350-005	9,5	10	20

A

d 1,5mm



YLV/LP-7,0x4,5/1,5-316

B

d 3-5mm



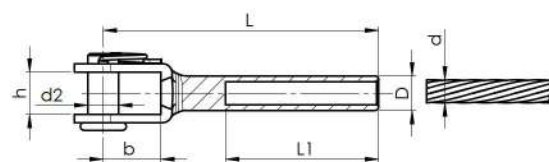
A14/7604-005

C

d 4-7mm



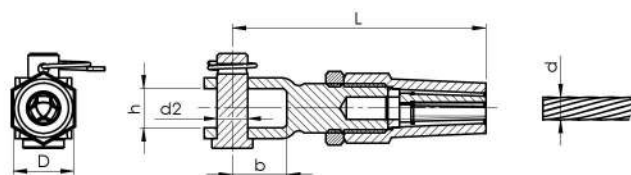
A14/7601-005



4.1

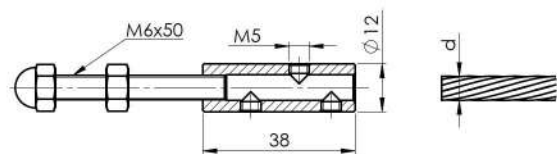
CABLE SYSTEM

Quality	Finish	art.	d	D	h	b	L	L1	d2
AISI316	satin	A14/7330-003	3	5,5	7,5	12	50	25	4,8
		A14/7330-004	4	6,3					
		A14/7330-005	5	7,5	9,6	13	58	30	5,8
		A14/7330-006	6	9	11	15	72	40	7,8

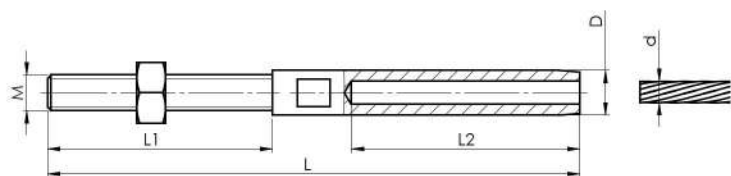
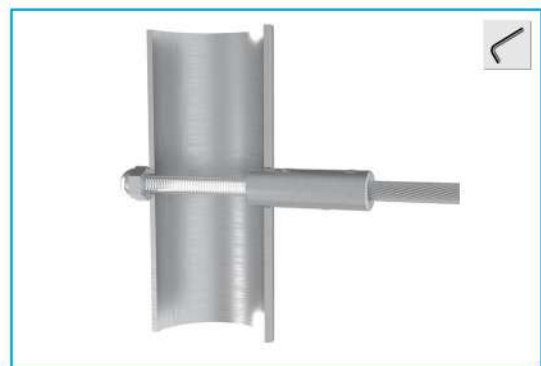


Quality	Finish	art.	d	D	L	d2	b	h
AISI316	satin	A14/7300-003	3	12	51	5	13	8
		A14/7300-005	4-5	16	65	8	15	10

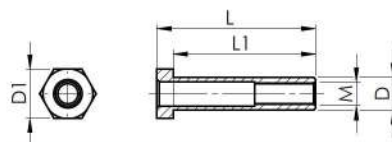
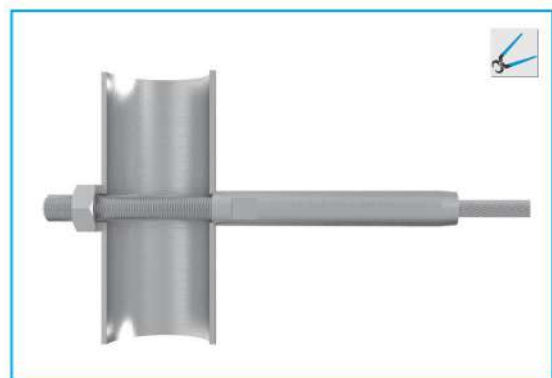




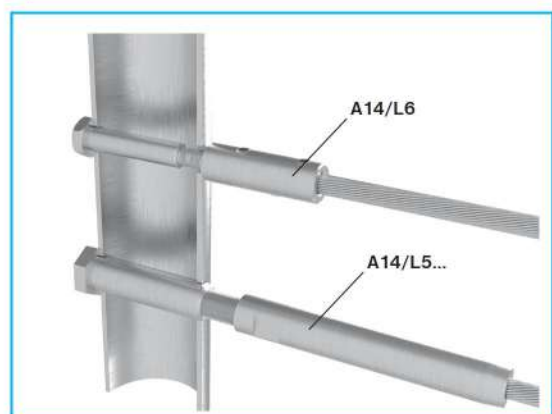
Quality	Finish	art.	d
AISI316	satin	A14/L6	4-6

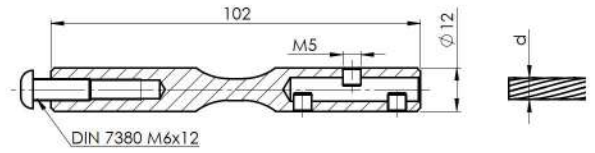


Quality	Finish	art.	d	D	L2	L1	M	L	Tread
AISI316	satin	A14/L5-3	3	6,35	38	48	6	100	right
		A14/L5-4	4	7,5	45	48	6	108	
		A14/L5-5	5	9	51	63	10	132	
		A14/L5-6	6	12,5	64	63	10	146,5	
		A14/L5-3-LEFT	3	6,35	38	48	6	100	left
		A14/L5-4-LEFT	4	7,5	45	48	6	108	
		A14/L5-5-LEFT	5	9	51	63	10	132	
		A14/L5-6-LEFT	6	12,5	64	63	10	146,5	



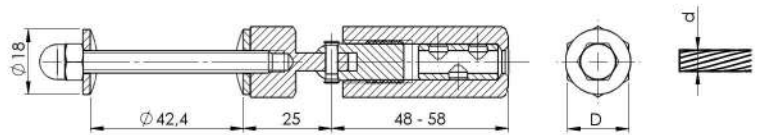
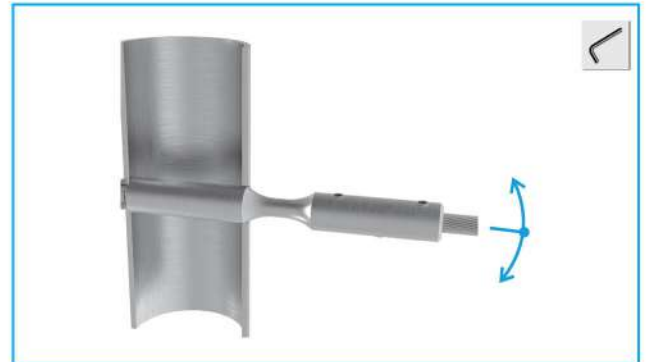
Quality	Finish	art.	D1	L1	D	L	M
AISI316	satin	A14/7360-M6	13	35	8	39	6
		A14/7360-M10	17	45	13	50	10





Quality	Finish	art.	d
AISI304	satin	A5/L6-V	4-6
AISI316		A14/L6-V	

top

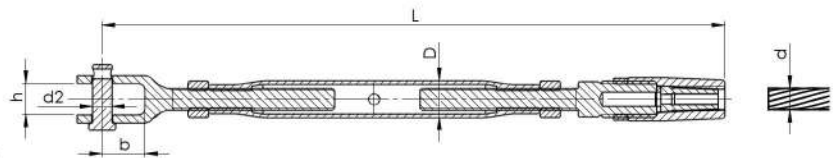


Quality	Finish	art.	d	D
AISI304	satin	A5/L7-6	4-5	17
		A5/L7-8	5-8	19
AISI316		A14/L7-6	4-5	17



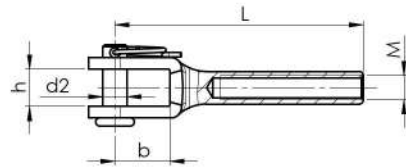
4.1

CABLE SYSTEM



Quality	Finish	art.	d	D	L	h	b	d2
AISI304	satin	A/7250-003	3	10,5	160 - 220	7,5	12	6
		A14/7250-003		8	140 - 200			
AISI316		A14/7250-005	5	13,5	230 - 340	10,3	13	8
		A14/7250-005-B		13	200 - 270	10,8	16,5	

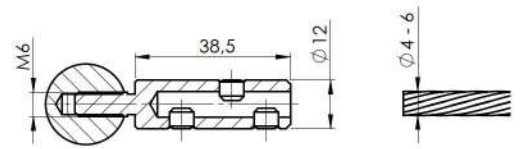




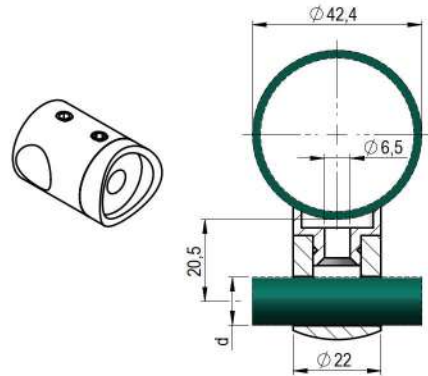
Quality	Finish	art.	M	b	h	L	d2
AISI316	satin	A14/7330-M6	6	13,5	9	61	5,9
		A14/7330-M10	10	20	12	73	9



SYSTEM OFF - AXIS

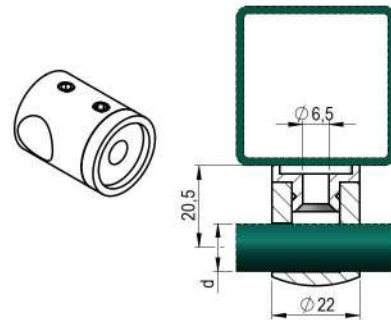


Quality	Finish	art.
AISI304	satin	A5/L6-G
AISI316		A14/L6-G



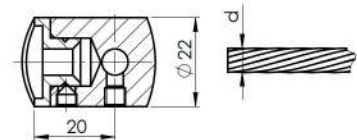
Quality	Finish	art.	d
AISI304	satin	A/0830-042	12
AISI316		A14/0830-042	

top

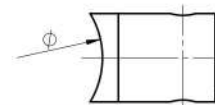


Quality	Finish	art.	d
AISI304	satin	A/0830-000	12
AISI316		A14/0830-000	

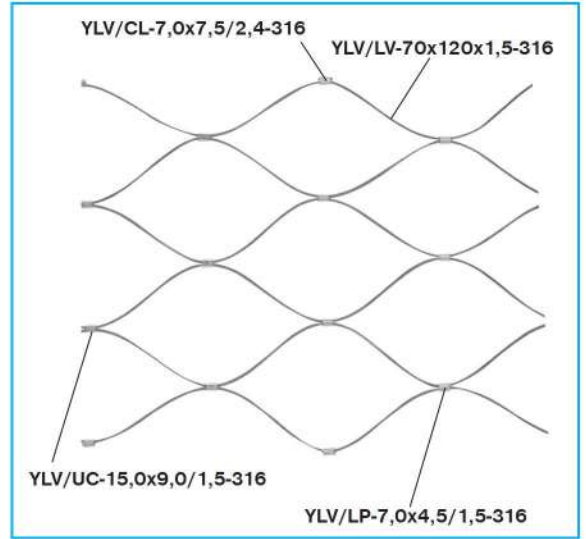
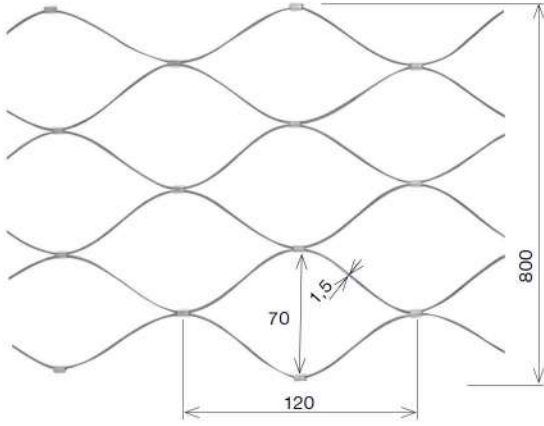
top



Quality	Finish	ϕ	art.	d
AISI304	satin	42,4	A17/442-3	3
			A17/442	
42,4		A14/442	6	
AISI316		flat		A14/400



SYSTEM MESH



Quality	Finish	art.
AISI316	satin	YLV/LV-70x120x1,5-316

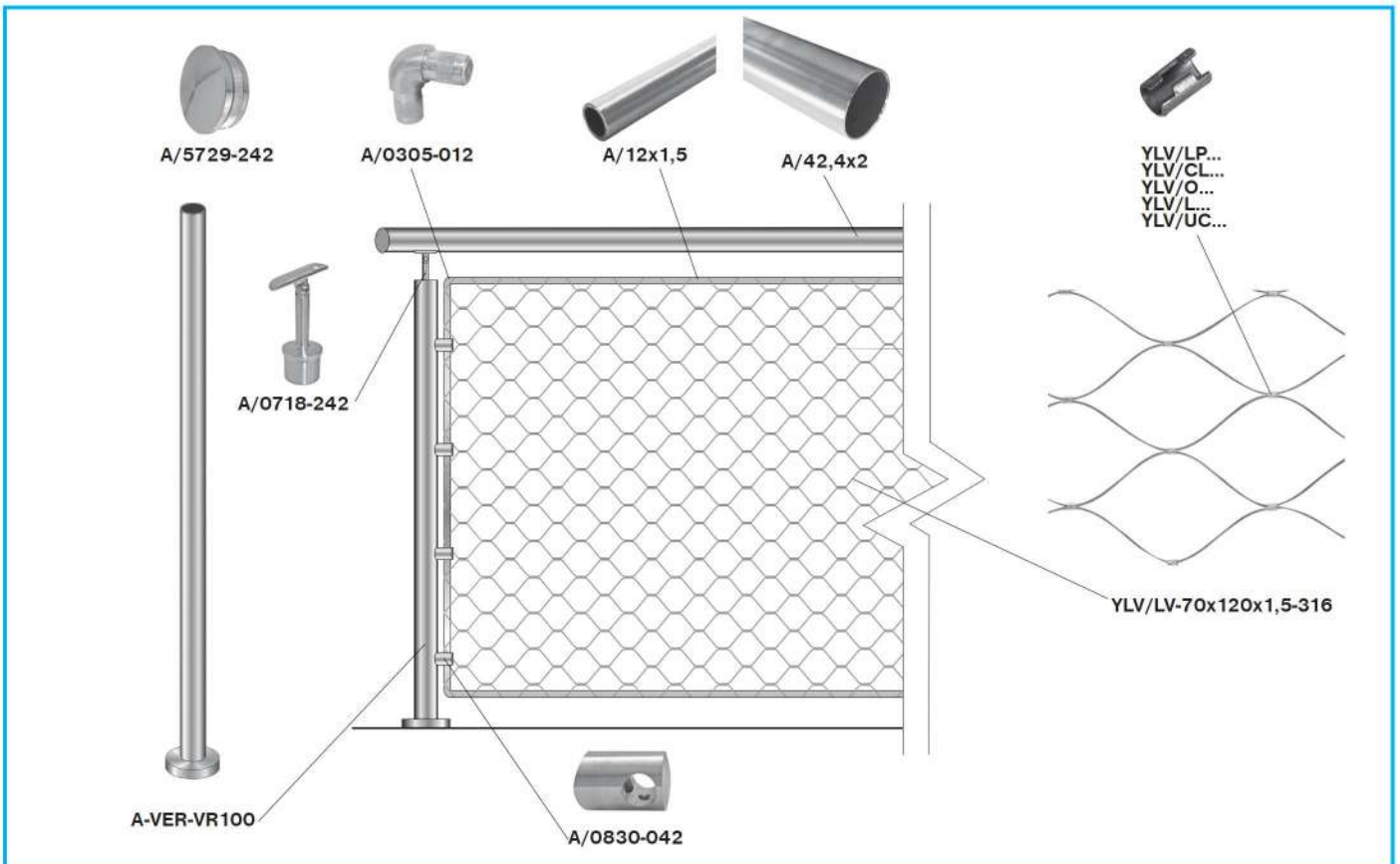


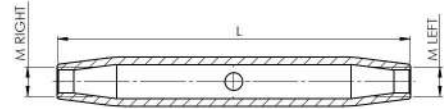
Quality	Finish	art.
AISI316	natural	YLV/LP-7,0x4,5/1,5-316



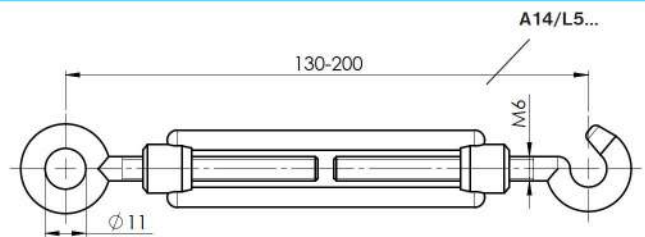
Quality	Finish	art.
AISI316	satin	YLV/UC-15,0x9,0/1,5-316

Quality	Finish	art.
AISI316	satin	YLV/CL-7,0x7,5/2,4-316

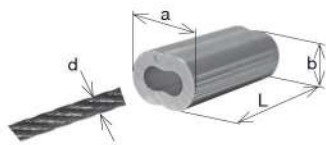




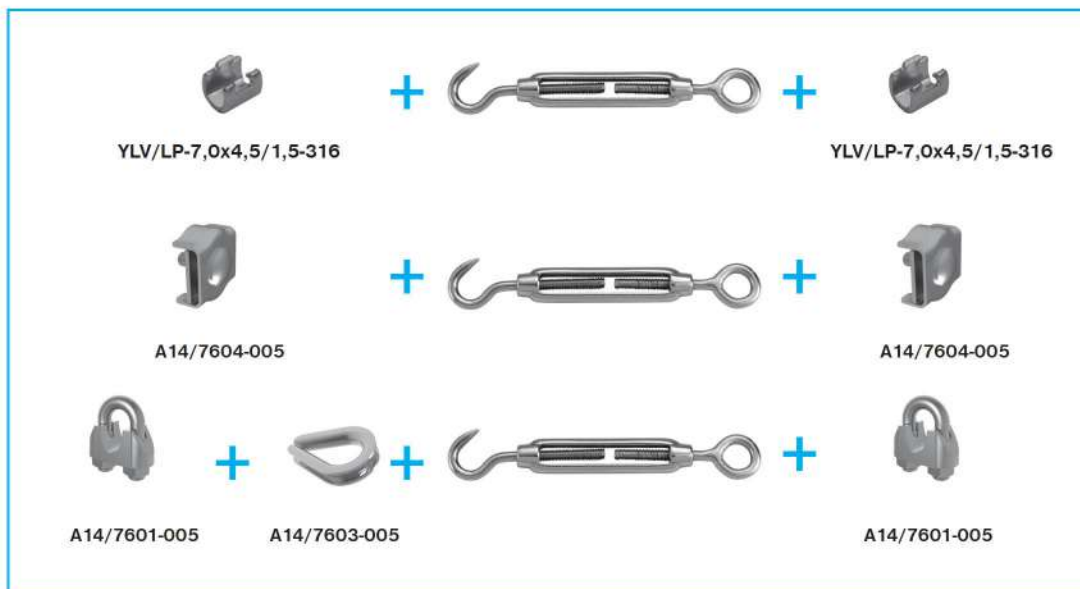
Quality	Finish	art.	L	M
AISI316	satin	A14/7605-M6	90	6
		A14/7605-M10	120	10

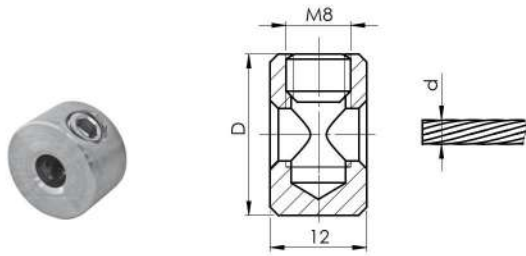


Quality	Finish	art.
AISI316	raw	A14/7500-010

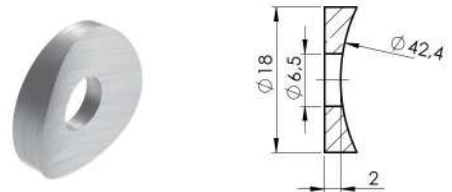


Material	effect	art.	d	L	a	b
ALUMINIUM	raw	AL/7405-003	3	15	11	7
		AL/7405-004	4	16	14	9
		AL/7405-005	5	22	17	11
		AL/7405-006	6	26	19	12
		AL/7405-008	8	32	27	17

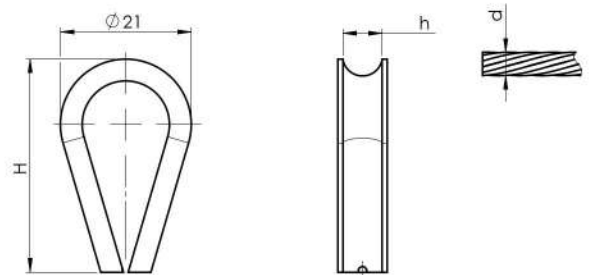




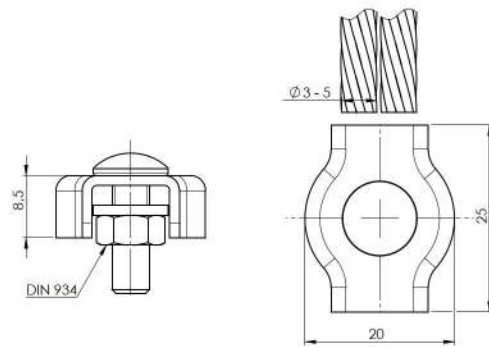
Quality	Finish	art.	d	D
AISI316	satin	A14/7400-003	3	18
		A14/7400-005	3-6	20



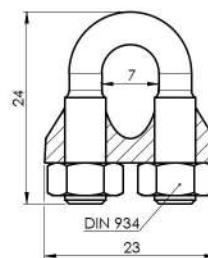
Quality	Finish	art.
AISI316	satin	A14/012-02



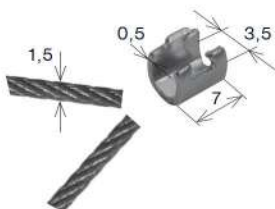
Quality	Finish	art.	H	h	d
AISI316	satin	A14/7603-005	30	5,9	3-4
		A14/7603-005-B	34,5	6,3	



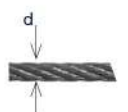
Quality	Finish	art.
AISI316	satin	A14/7604-005



Quality	Finish	art.
AISI316	satin	A14/7601-005



Quality	Finish	art.
AISI316	natural	YLV/LP-7,0x4,5/1,5-316



art.	d
Q8/95	3-8

4.2 HANDRAILS



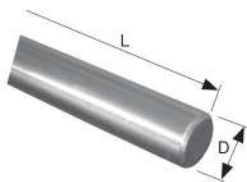


Quality	Finish	art.	D	t	L
AISI304	satin	A/12x1,5-1000	12	1,5	1000
		A/12x1,5-1500			1500
		A/12x1,5-2000			2000
		A/12x1,5-3000	3000		
		A/12x1,5-4000	4000		
		A/12x1,5-5000	5000		
		A/12x1,5-6000	6000		
		A/14x1,5-3000	14	3000	
		A/14x1,5-6000	6000		
		A/16x1,5-3000	16	3000	
A/16x1,5-6000	6000				
AISI304	satin	A/20x1,5-3000	20	2	3000
		A/20x1,5-6000			6000
		A/25x2-2000	25	2000	
		A/25x2-6000	6000		
		A/33,7x2-3000	33,7	3000	
		A/33,7x2-6000	6000		

top

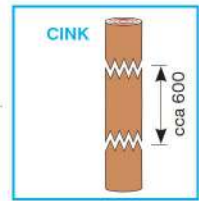
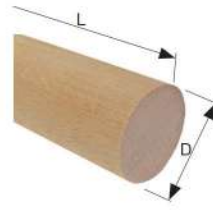
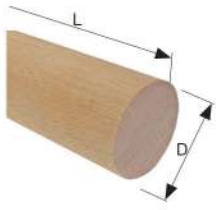
Quality	Finish	art.	D	t	L
AISI304	satin	A/42,4x1,5-3000	42,4	1,5	3000
		A/42,4x1,5-6000			6000
		A/42,4x2-1000	1000		
		A/42,4x2-1000-EXCLUSIVE			
		A/42,4x2-1500	1500		
		A/42,4x2-1500-EXCLUSIVE			
		A/42,4x2-2000	2000		
		A/42,4x2-2000-EXCLUSIVE			
		A/42,4x2-3000	3000		
		A/42,4x2-3000-EXCLUSIVE			
		A/42,4x2-4000	4000		
		A/42,4x2-4000-EXCLUSIVE			
		A/42,4x2-5000	5000		
		A/42,4x2-5000-EXCLUSIVE			
		A/42,4x2-6000	6000		
		A/42,4x2-6000-EXCLUSIVE			
		A/48,3x2-3000	48,3	3000	
		A/48,3x2-6000	6000		
AISI304	polish	A/12x1,5-3000-L	12	1,5	3000
		A/12x1,5-6000-L	6000		
		A/42,4x2-1500-L		1500	
		A/42,4x2-2000-L	42,4	2	2000
		A/42,4x2-3000-L	3000		
		A/42,4x2-6000-L	6000		
AISI316	satin	A14/12x1,5-3000	12	1,5	3000
		A14/12x1,5-6000	6000		
		A14/42,4x2-3000	42,4	2	3000
	polish	A14/12x1,5-6000-L	12	1,5	6000
		A14/42,4x2-6000-L	42,4	2	

top



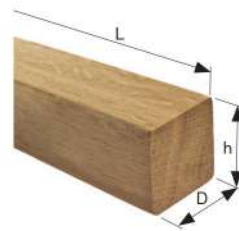
Quality	Finish	art.	D	L
AISI304	satin	A/12-3000	12	3000
		A/12-6000	12	6000
		A/20-6000	20	

General tolerances
T3/D3 EN 10217-7
 (t ±10%, max ±0,2mm;
 D ±0,75%, max ±0,3mm)



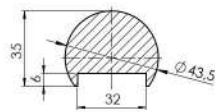
Quality	Finish	art.	D	L
Beech	natural	WB/D42-L1200	42	1200
		WB/D42-L1600		1600
		WB/D42-L2000		2000
		WB/D42-L2500		2500
		WB/D42-L3000		3000
		WB/D42-L4000		4000
		WB/D50-L3000		49
Oak	natural	WD/D42-L1200	42	1200
		WD/D42-L1600		1600
		WD/D42-L2000		2000
		WD/D42-L2500		2500
		WD/D42-L3000		3000
		WD/D42-L4000		4000
		WD/D50-L3000		49

Quality	Finish	art.	D	L
Beech	natural	WB/D42-L3000-CINK	42	3000

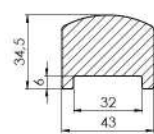


Quality	Finish	art.	D	h	L
Beech	natural	WB/40x40-L2000	40	40	2000
		WB/40x40-L2500			2500
		WB/40x40-L3000			3000
		WB/40x40-L4000			4000
Oak	natural	WD/40x40-L2000	40	40	2000
		WD/40x40-L2500			2500
		WD/40x40-L3000			3000
		WD/40x40-L4000			4000

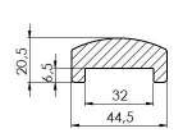
4.2 HANDRAILS



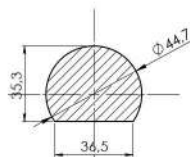
Quality	Finish	art.	L
Spruce	natural	WS/45x36-L3000	3000



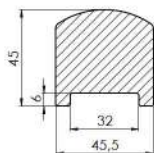
Quality	Finish	art.	L
Spruce	natural	WS/45x35-L3000	3000



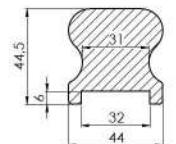
Quality	Finish	art.	L
Spruce	natural	WS/45x20-L3000	3000



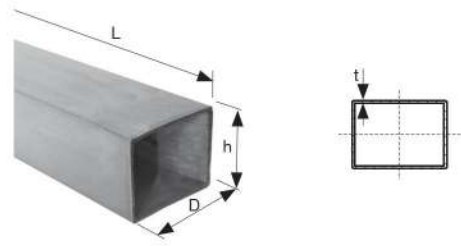
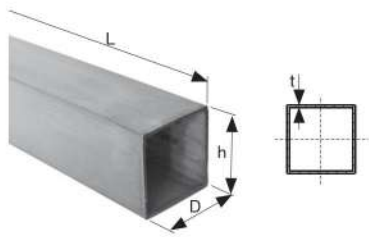
Quality	Finish	art.	L
Spruce	natural	WS/45x37-L3000	3000



Quality	Finish	art.	L
Spruce	natural	WS/45x45-L3000	3000



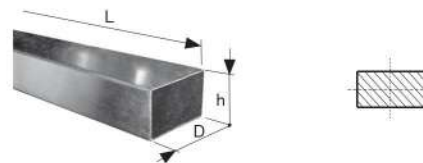
Quality	Finish	art.	L
Spruce	natural	WS/45x45-R-L3000	3000



Quality	Finish	art.	D	h	t	L	
AISI304	satin	A/10x10x1-6000	10	10	1	6000	
		A/12x12x1-6000	12	12			
		A/20x20x1,5-6000	20	20	1,5		
		A/25x25x2-6000	25	25			
		A/30x30x2-6000	30	30			
		A/40x40x2-1000					1000
		A/40x40x2-1500					1500
		A/40x40x2-2000					2000
		A/40x40x2-3000	40	40	2		3000
		A/40x40x2-4000					4000
		A/40x40x2-5000					5000
		A/40x40x2-6000					
		A/40x40x2-6000-EXCLUSIVE					
		A/50x50x2-6000	50	50			6000
		A/60x60x2-6000	60	60			
	A/80x80x2-6000	80	80				
A/100x100x3-6000	100	100	3				
	polish	A/40x40x2-6000-L				6000	
AISI316	satin	A14/40x40x2-3000	40	40	2	3000	
		A14/40x40x2-6000				6000	

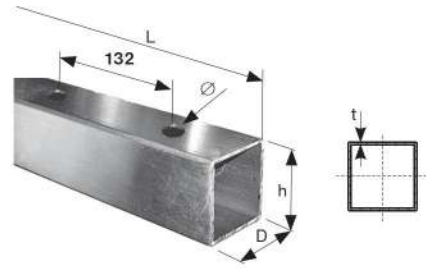
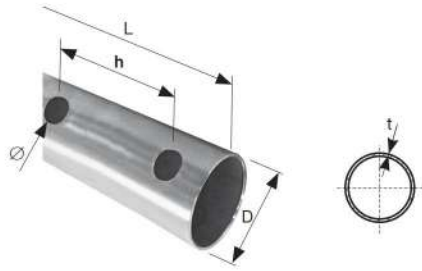
Quality	Finish	art.	D	h	t	L
AISI304	satin	A/40x20x2-6000	40	20	2	6000
		A/50x30x2-6000	50	30		
		A/60x40x2-6000	60	40		

top



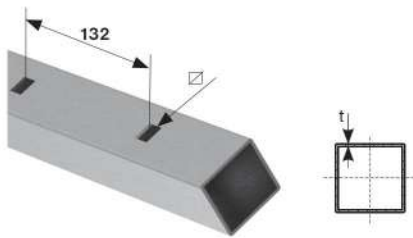
Quality	Finish	art.	D	h	L
AISI304	satin	A/10x10-3000	10	10	3000
		A/10x10-6000			6000

Quality	Finish	art.	D	h	L
AISI304	satin	A/15x5-2000	15	5	2000
		A/15x5-4000			4000
		A/20x5-6000	20		6000
		A/25x5-6000	25		
		A/30x5-6000	30		
		A/40x5-6000	40		
		A/50x5-6000	50		
		A/60x5-6000	60		

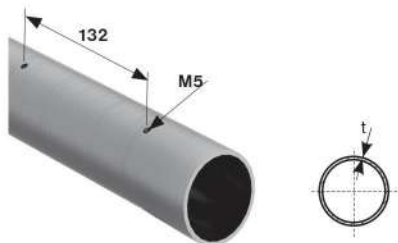
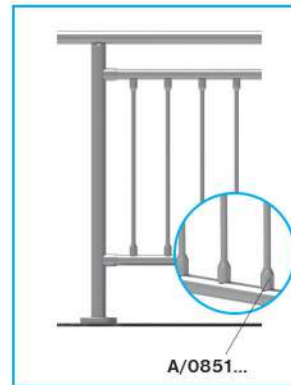


Quality	Finish	art.	D	t	L	h	Ø	
AISI304	satin	A/42,4x2-10x12-1300			1300			
		A/42,4x2-15x12-2000				132		
		A/42,4x2-15x12-2000-PVC	42,4	2	2000		12,3	
		A/42,4x2-H-atyp						

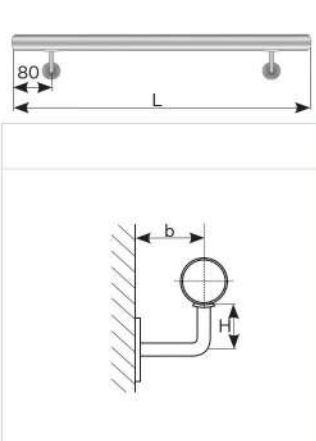
Quality	Finish	art.	D	h	L	Ø
AISI304	satin	A/40x40x2-15x12-2000	40	40	1980	12,3



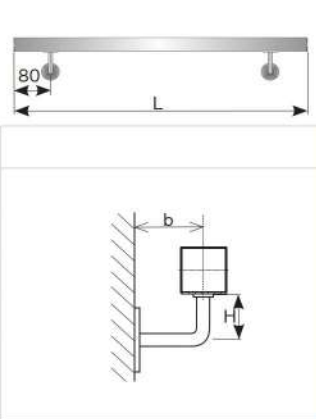
Quality	Finish	art.	D	h	L	Ø
AISI304	satin	A/40x40x2-15x10x10-2000				10x10
		A/40x40x2-15x12x12-2000	40	40	2000	12x12



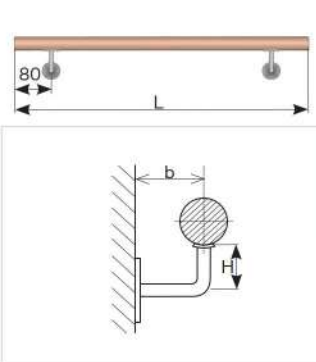
Quality	Finish	art.	D	t	L
AISI304	satin	A/33,7x2-15xM5-2000	33,7		
		A/42,4x2-15xM5-2000	42,4	2	2000



Quality	Finish	∅	art.	L	b x H	A/0111-042	A/5729-242	A-DIN 7380-A2 M5x12
AISI304	satin	42,4x2	A/M-1000	1000	75x50	2x		4x
			A/M-1500	1500				
			A/M-2000	2000		3x	2x	6x
			A/M-3000	3000				
			A/M-4000	4000				
			A/M-5000	5000		4x		8x
			A/M-6000	6000				
					5x		10x	



Quality	Finish	D x h	art.	L	b x H	A/0111-000	A/4732-040	A-DIN 7380-A2 M5x12
AISI304	satin	40 x 40	AJP/M-1000	1000	75x50	2x		4x
			AJP/M-1500	1500				
			AJP/M-2000	2000		3x	2x	6x
			AJP/M-3000	3000				
			AJP/M-4000	4000				
			AJP/M-5000	5000		4x		8x
			AJP/M-6000	6000				
					5x		10x	



Quality	Finish	∅	art.	L	b x H	A/0111-042	A-PH 5x20
Beech	natural	42,4x2	WB/M-2000	2000	75x50	2x	4x
			WB/M-3000	3000		4x	8x
			WB/M-4000	4000		5x	10x
Oak			WD/M-2000	2000		2x	4x
			WD/M-3000	3000		4x	8x
			WD/M-4000	4000		5x	10x

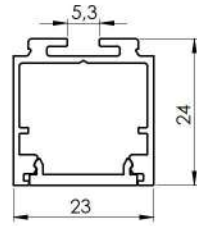


Quality	Finish	D x h	art.	L	b x H	A/0111-000	A-PH 5x20
Beech	natural	40 x 40	WBJP/M-2000	2000	75x50	2x	4x
			WBJP/M-3000	3000		4x	8x
			WBJP/M-4000	4000		5x	10x
Oak			WDJP/M-2000	2000		2x	4x
			WDJP/M-3000	3000		4x	8x
			WDJP/M-4000	4000		5x	10x

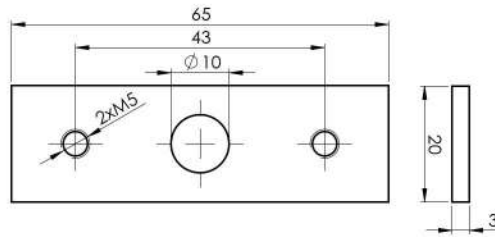
4.3 LED HANDRAILS



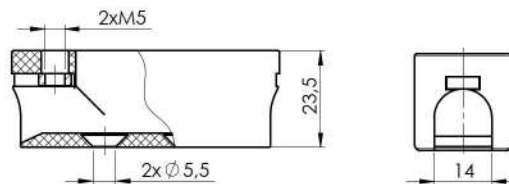
SYSTEM LED1



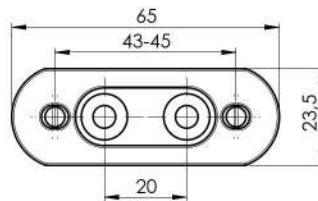
Material	Effect	art.	L
ALUMINIUM	raw	AL/23x24-LED-SET	5000



Material	Effect	art.
AISI316	raw	A14/PD-LED-23x24



Quality	Finish	art.
PVC	Black	A19/PD-LED



A

B

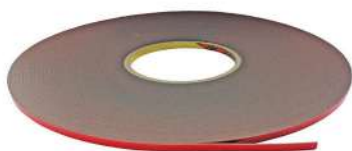
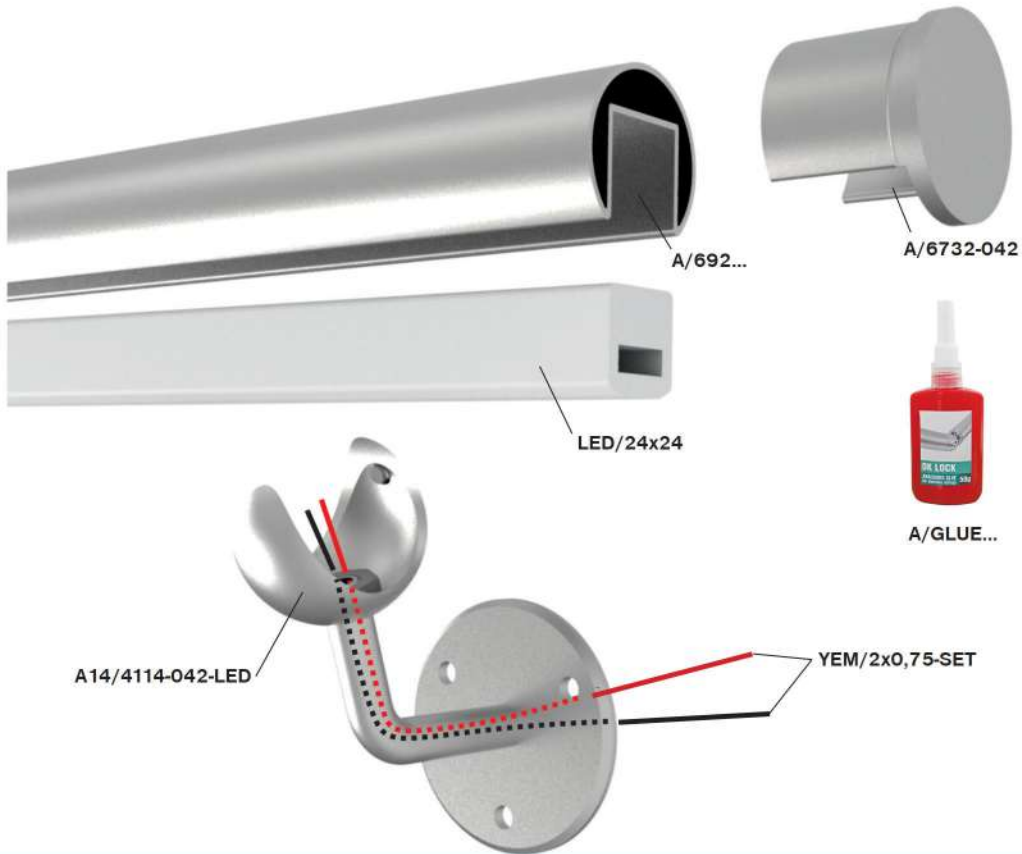
SYSTEM LED2

milk



Quality	Finish	Color	art.	a x b
PVC + SILICONE	white	5000K	LED/24x24	24 x 24

art.	L(m)
YEM/2x0,75-SET	0,75

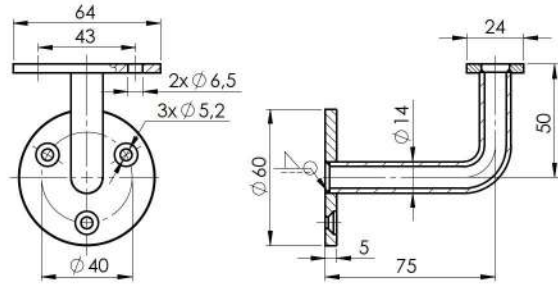


art.	t	b	L
Q9/03-0,2x9	0,2	9	50

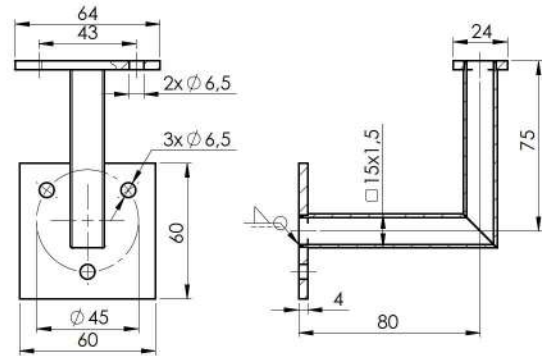
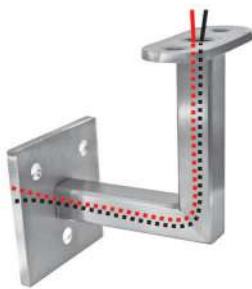


art.	g
A/Glue-50g-C	50

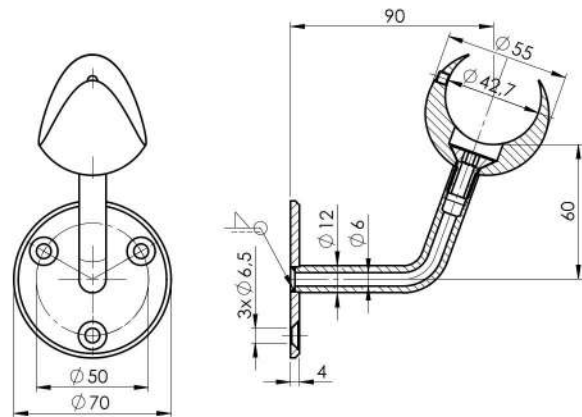
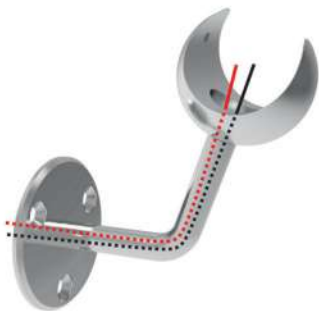
4.3
LED SYSTEM



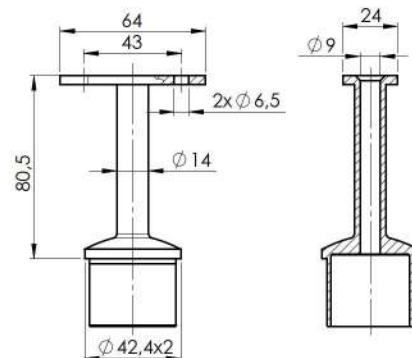
Quality	Finish	art.
AISI316	satın	A14/0112-000-LED-B



Quality	Finish	art.
AISI304	satın	A/4111-000-LED



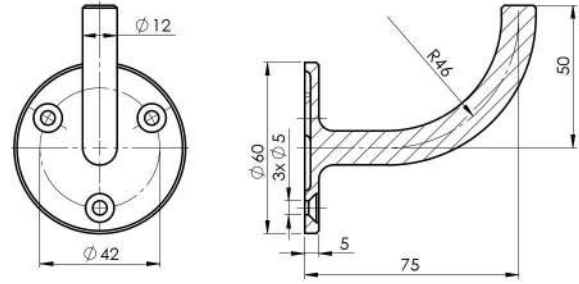
Quality	Finish	art.
AISI316	satın	A14/4114-042-LED



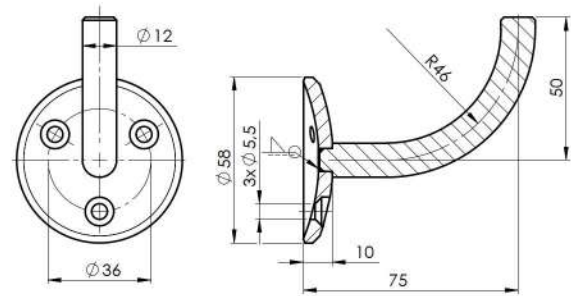
Quality	Finish	art.
AISI304	satın	A/0710-242-LED

4.4 HANDRAIL HOLDERS



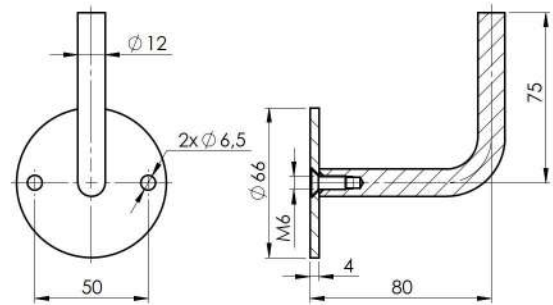


Quality	Finish	art.
AISI304	satin	A/0113-000-R
AISI316		A14/0113-000

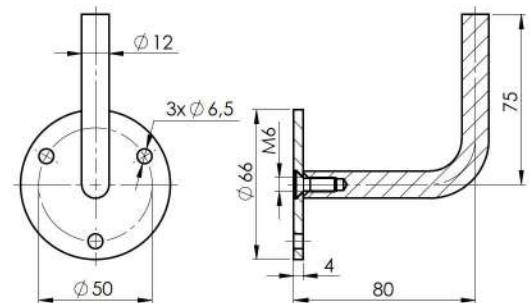


Quality	Finish	art.
AISI304	satin	A/0113-000

top

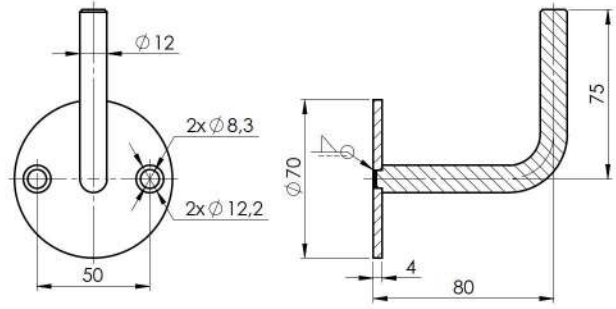


Quality	Finish	art.
AISI304	satin	A/0114-266-Z

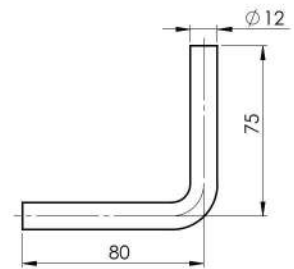


Quality	Finish	art.
AISI304	satin	A/0114-366-Z

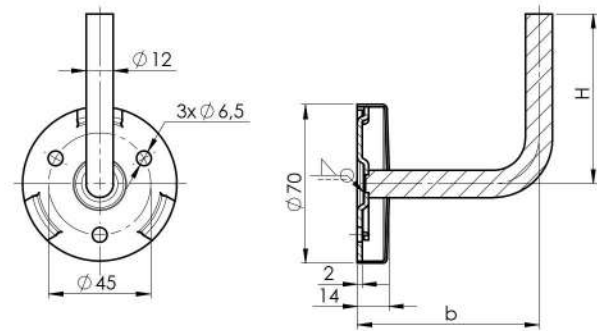




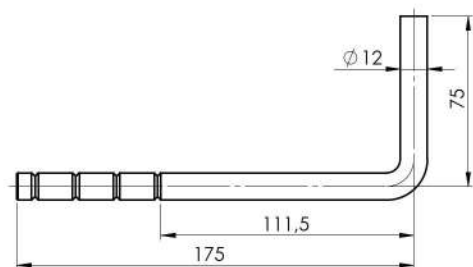
Quality	Finish	art.
AISI304	satin	A/0118-270
		A/0118-270-B



Quality	Finish	art.
AISI304	satin	A/0132-000

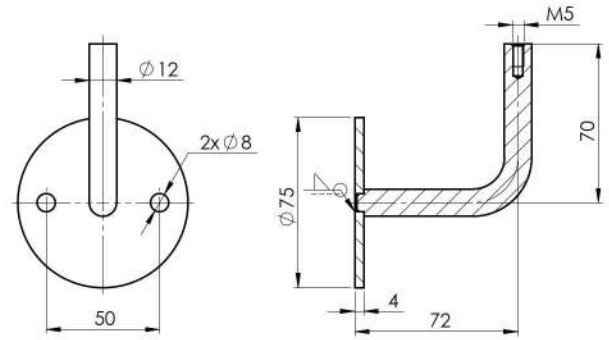


Quality	Finish	art.	b x H
AISI304	satin	A/0110-370-Z	80x75
		A/0110-000-Z	73x71



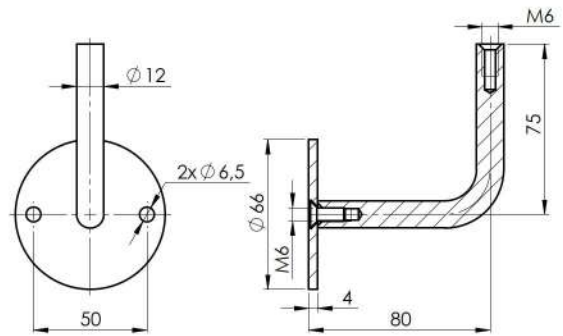
Quality	Finish	art.
AISI304	satin	A/0120-000-Z



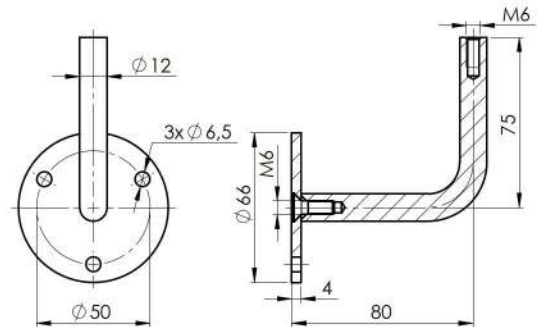


Quality	Finish	art.
AISI304	satin	A/0114-000

top

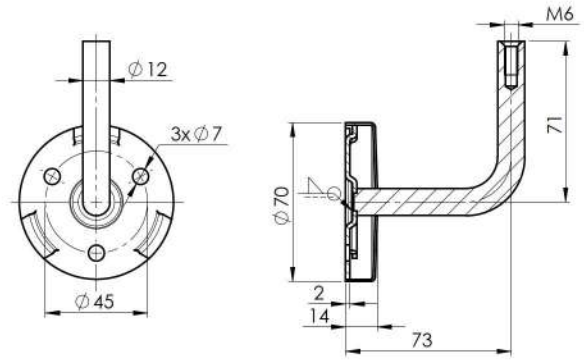


Quality	Finish	art.
AISI304	satin	A/0114-266-M6

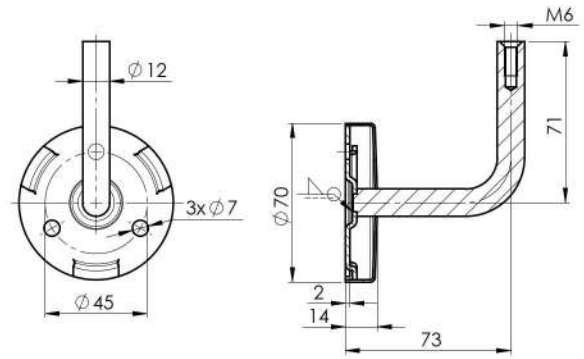


Quality	Finish	art.
AISI304	satin	A/0114-366-M6

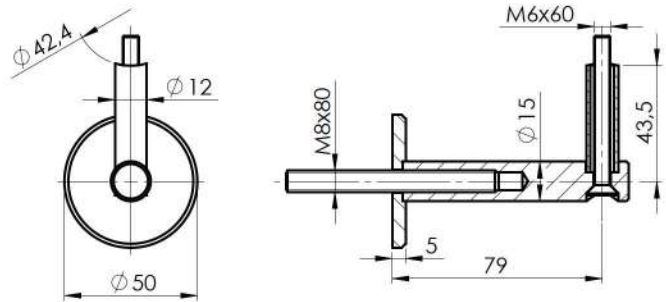




Quality	Finish	art.
AISI304	satın	A/0110-000



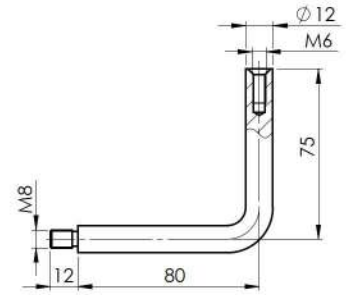
Quality	Finish	art.
AISI304	satın	A/0110-000-B



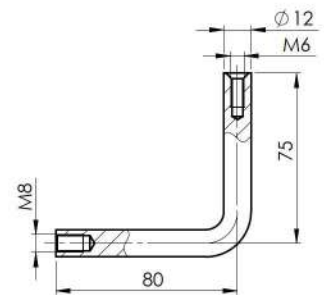
Quality	Finish	art.
AISI304	satın	A/0134-042



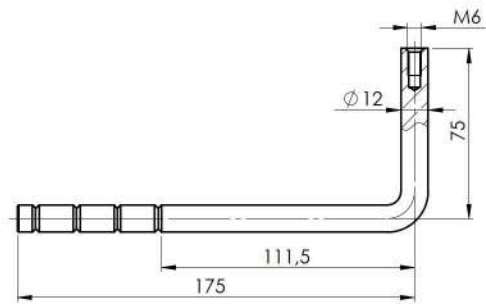
Quality	Finish	art.
AISI304	satın	A/0130-M6

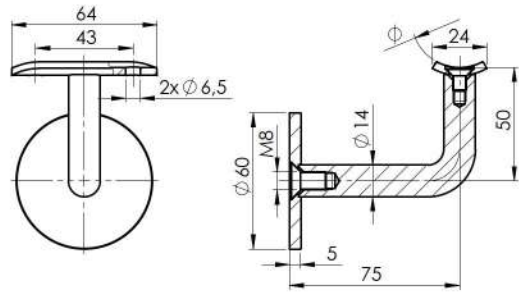


Quality	Finish	art.
AISI304	satın	A/0131-M6

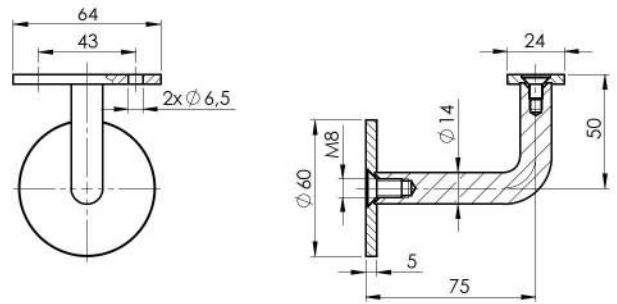
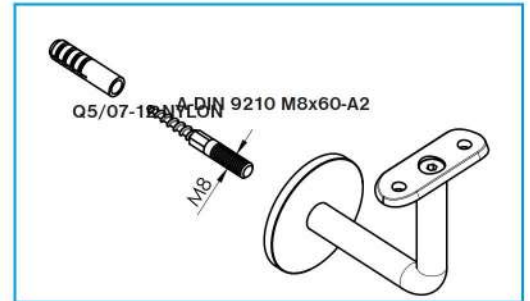


Quality	Finish	art.
AISI304	satın	A/0120-000-M6



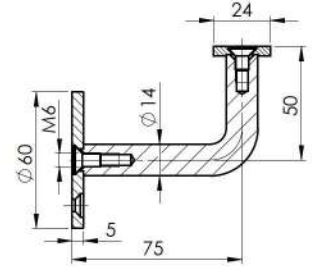
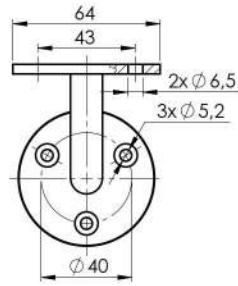


Quality	Finish	Ø	art.
AISI304	satin	33,7	A/0111-033
		42,4	A/0111-042
		48,3	A/0111-048
	polish	42,4	A/0111-042-L
AISI316	satin	42,4	A14/0111-042

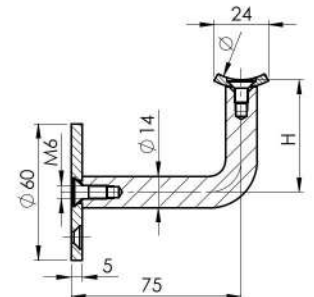
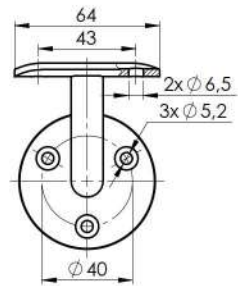


Quality	Finish	art.
AISI304	satin	A/0111-000

top

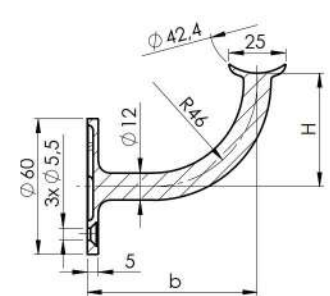
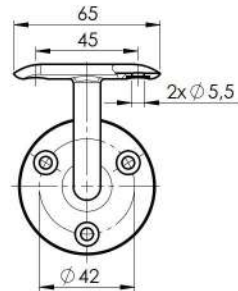


Quality	Finish	art.
AISI304	satin	A/0112-000
AISI316		A14/0112-000

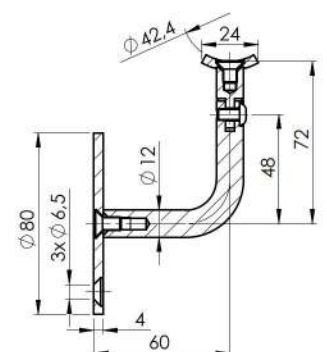
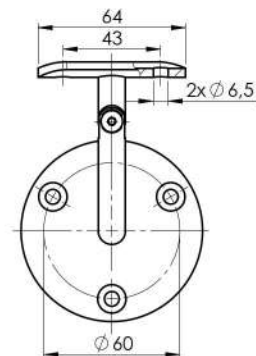


Quality	Finish	Ø	art.	H
AISI304	satin	33,7	A/0112-033	50
		42,4	A/0112-042	
		48,3	A/0112-048	
AISI316	polish	42,4	A/0112-042-B-L	52
		42,4	A/0112-042-L	
		42,4	A14/0112-042	
48,3	A14/0112-048			
	polish	42,4	A14/0112-042-L	

top



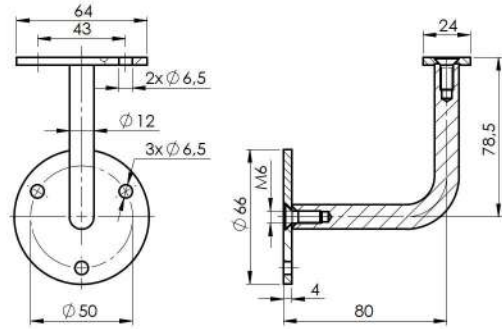
Quality	Finish	art.	b x H
AISI304	satin	A/0112-042-A	75x50
		A/0112-042-B	72x50
AISI316	polish	A14/0112-042-A	75x50
		A14/0112-042-A-L	



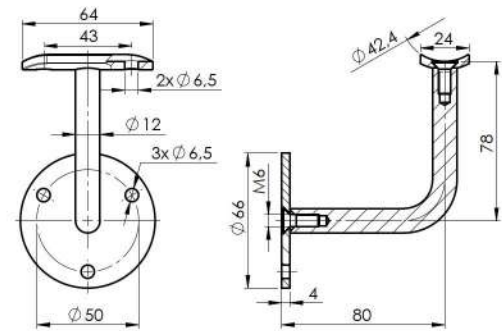
Quality	Finish	art.
AISI304	satin	A/0116-042



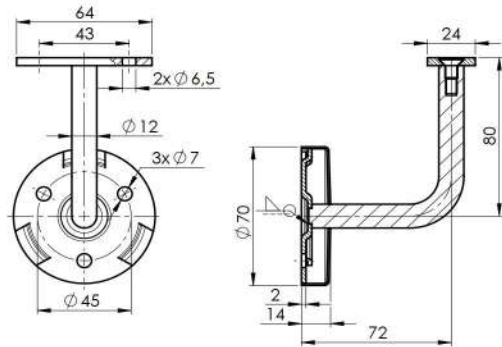
Quality	Finish	art.
AISI304	satin	A/0115-000



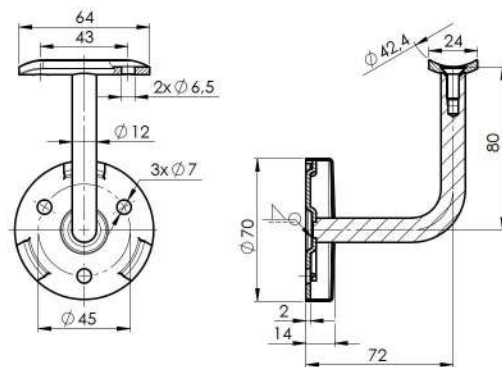
Quality	Finish	art.
AISI304	satin	A/0115-042

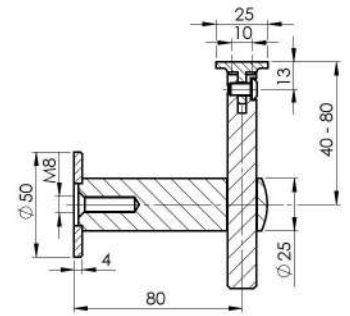
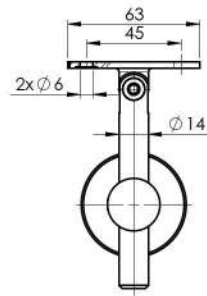


Quality	Finish	art.
AISI304	satin	A/0117-000-B

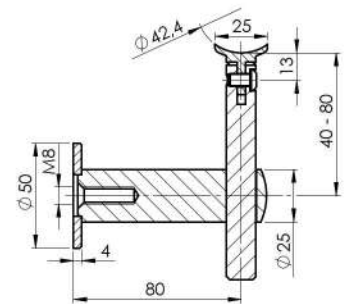
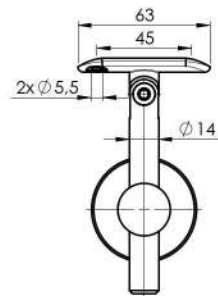


Quality	Finish	art.
AISI304	satin	A/0117-042-B
AISI316		A14/0117-042-B

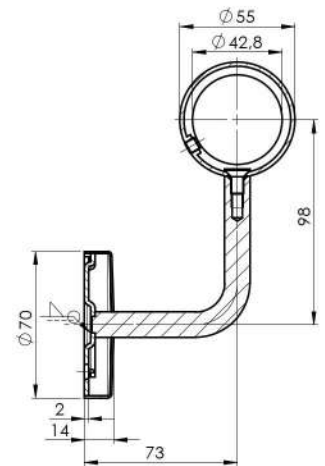
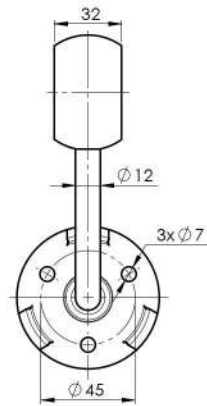




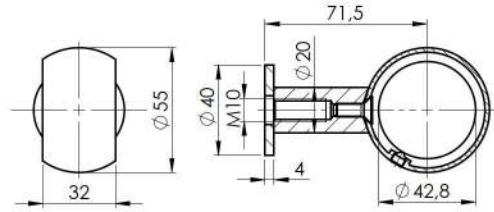
Quality	Finish	art.
AISI304	satın	A/0145-000



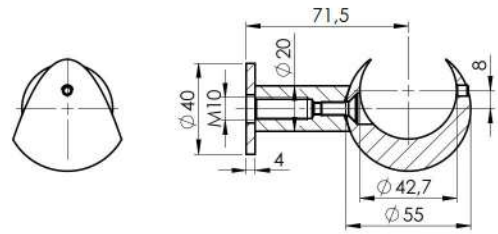
Quality	Finish	art.
AISI304	satın	A/0145-042



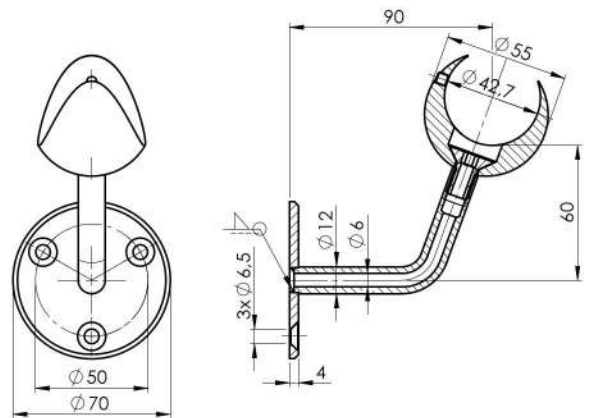
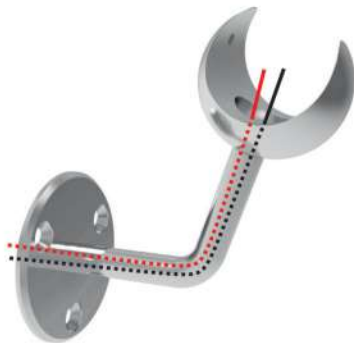
Quality	Finish	art.
AISI304	satın	A/0110-42-55-35



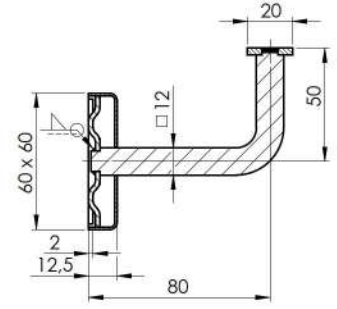
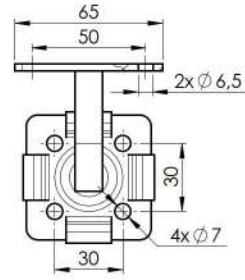
Quality	Finish	art.
AISI304	satın	A/0708-42-55-35



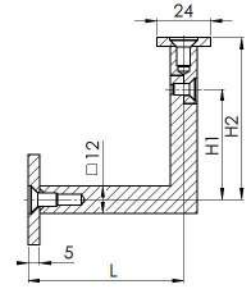
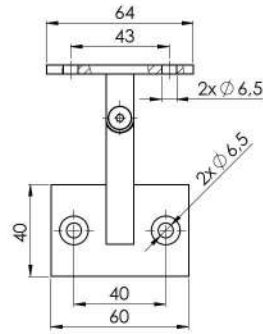
Quality	Finish	art.
AISI304	satın	A/0708-42-55-C



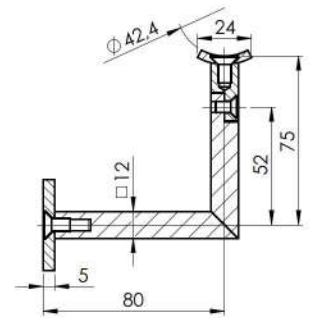
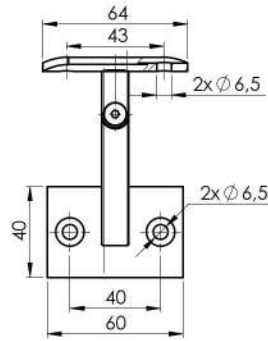
Quality	Finish	art.
AISI316	satın	A14/4114-042-LED



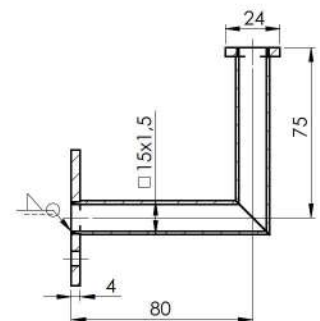
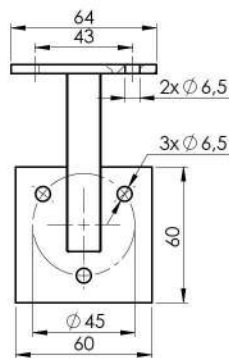
Quality	Finish	art.
AISI304	satın	A/4110-000



Quality	Finish	art.	H1	H2	L
AISI304	satın	A/4145-000	52	75	80
		A/4145-000-B	46	69	
		A/4145-000-C	41	64	79
		A/4145-000-D	49	72	69

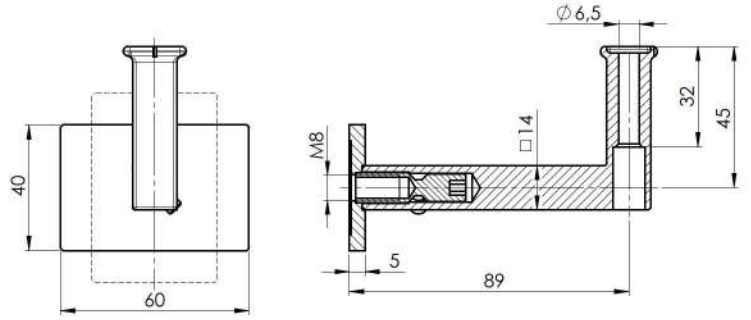


Quality	Finish	art.
AISI304	satın	A/4145-042

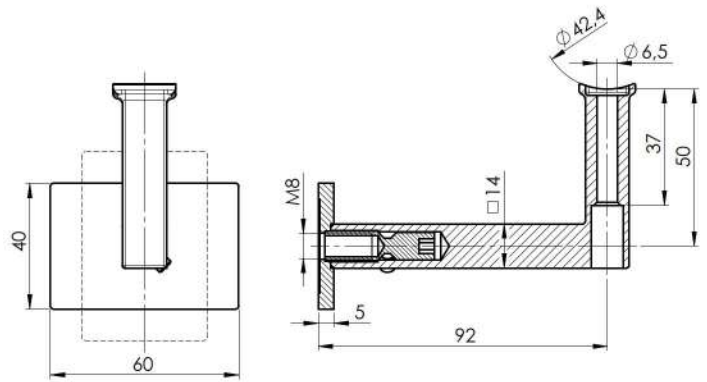


Quality	Finish	art.
AISI304	satın	A/4111-000-LED





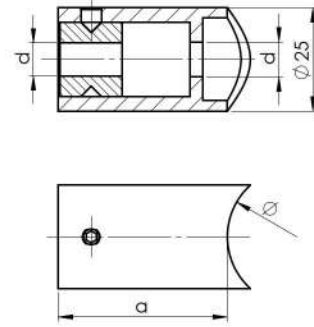
Quality	Finish	art.
AISI304	satin	A/4111-000



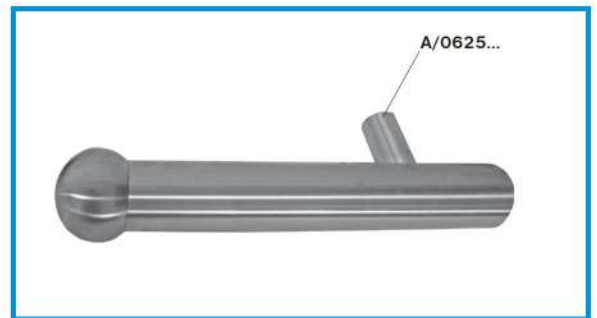
Quality	Finish	art.
AISI304	satin	A/4111-042

4.4

HANDRAIL HOLDERS

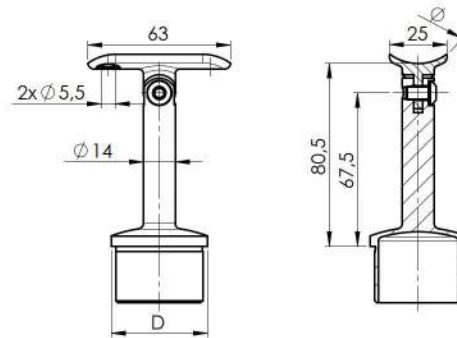
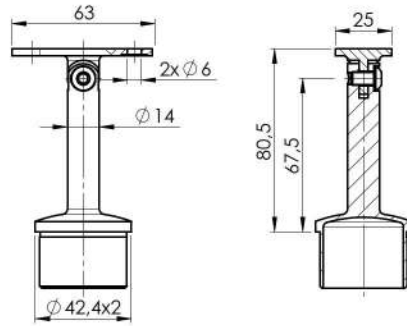


Quality	Finish	∅	art.	a	d
AISI304	satin	33,7	A/0625-033	41	8,5
		42,4	A/0625-042	43	



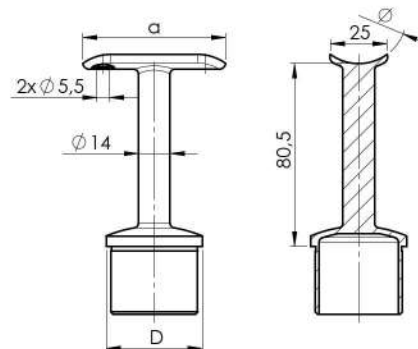


Quality	Finish	art.
AISI304	satin	A/0718-200-B



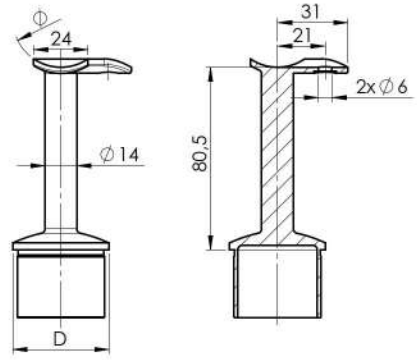
Quality	Finish	Ø	art.	D
AISI304	satin	33,7	A/0717-233	33,7x2,0
		42,4	A/0718-242	42,4x2,0
		48,3	A/0718-248	48,3x2,0
			A/0719-248	48,3x2,0
AISI316	polish	42,4	A/0718-242-L	42,4x2,0
		48,3	A14/0719-249	48,3x2,6
	polish	42,4	A14/0718-242-L	42,4x2,0

top

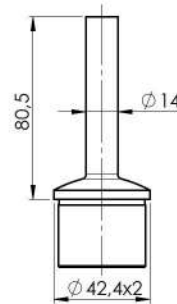


Quality	Finish	Ø	art.	D	a
AISI304	satin		A/0710-242		
	polish	42,4	A/0710-242-L	42,4x2,0	63
AISI316	satin		A14/0710-242		
		48,3	A14/0712-249	48,3x2,6	65
	polish	42,4	A14/0710-242-L	42,4x2,0	63

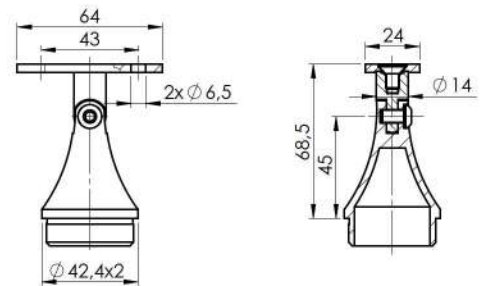
top



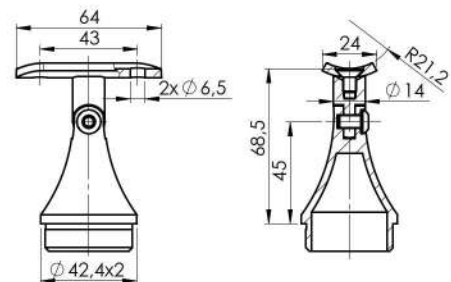
Quality	Finish	∅	art.	D	Flush angle
AISI304	satin	42,4	A/0711-842	42,4x2,0	A/0301...
			A/0710-842		A/0303...
	polish		A/0710-842-L		A/0303...
AISI316	satin	48,3	A14/0710-842	48,3x2,6	A14/0303...
	polish	42,4	A14/0710-842-L		A14/0303...



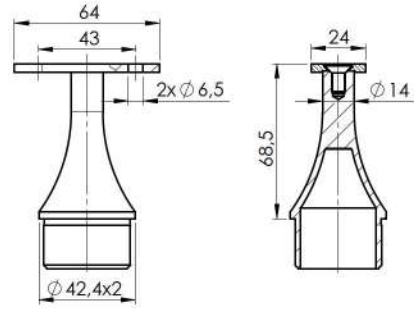
Quality	Finish	art.
AISI304	satin	A/0700-042



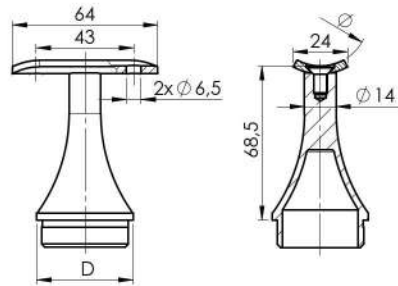
Quality	Finish	art.
AISI304	satin	A/0716-000



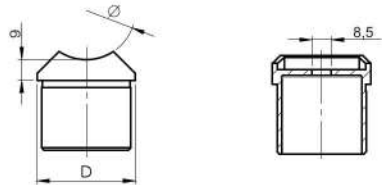
Quality	Finish	art.
AISI304	satin	A/0716-242



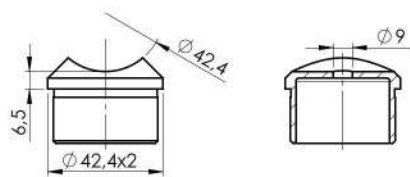
Quality	Finish	art.
AISI304	satin	A/0713-000



Quality	Finish	∅	art.	D
AISI304	satin	42,4	A/0713-242	42,4x2,0
		48,3	A/0713-248	48,3x2,0



Quality	Finish	∅	art.	D
AISI304	satin	42,4	A/0727-233	33,7x2,0
	polish	42,4	A/0727-242-C	42,4x2,0
AISI316	satin	42,4	A14/0727-242-C	42,4x2,0
		48,3	A14/0729-249	48,3x2,6

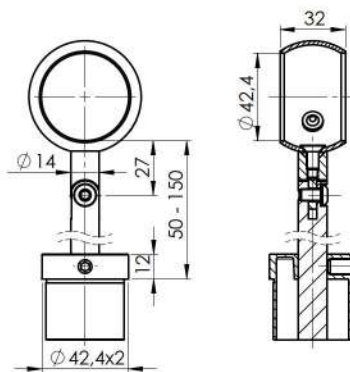


Quality	Finish	art.
AISI304	satin	A/0727-242-S
	polish	A/0727-042-S-L

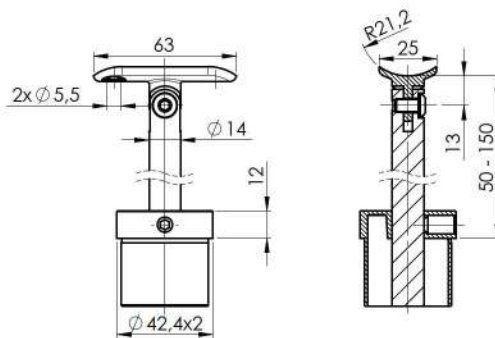
top



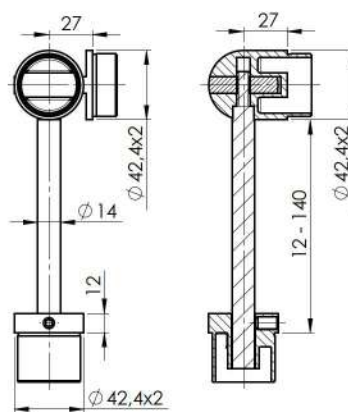
Quality	Finish	art.
AISI304	satin	A/0714-042

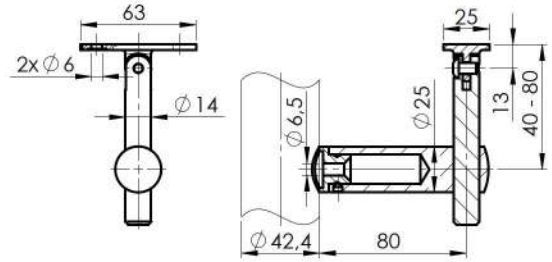


Quality	Finish	art.
AISI304	satin	A/0715-242

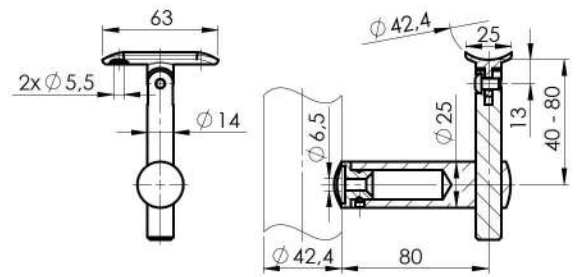


Quality	Finish	art.
AISI304	satin	A/0720-242
		A14/0720-242



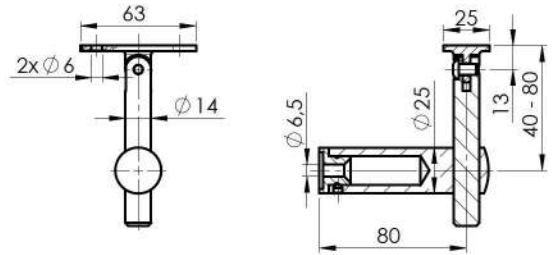


Quality	Finish	art.
AISI304	satin	A/0135-000

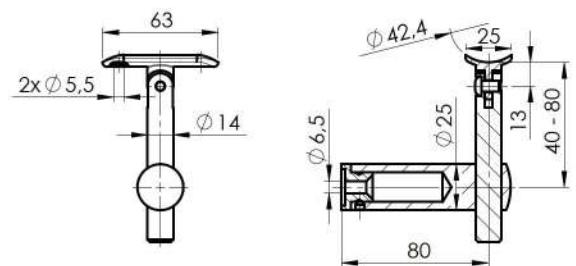


Quality	Finish	art.
AISI304	satin	A/0135-042
AISI316		A14/0135-042

top



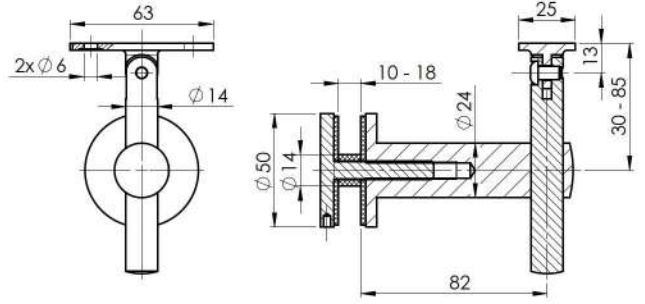
Quality	Finish	art.
AISI304	satin	A/0136-000



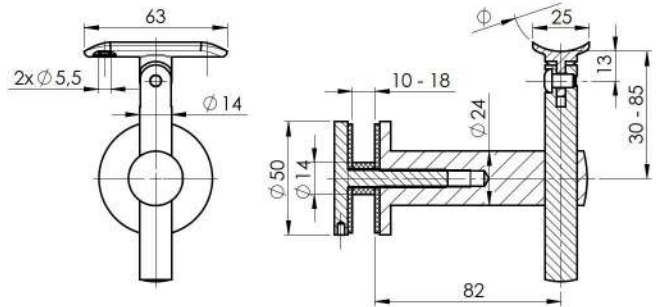
Quality	Finish	art.
AISI304	satin	A/0136-042
	polish	A/0136-042-L



Quality	Finish	art.	Glass hole
AISI304	satın	A/0155-000	20

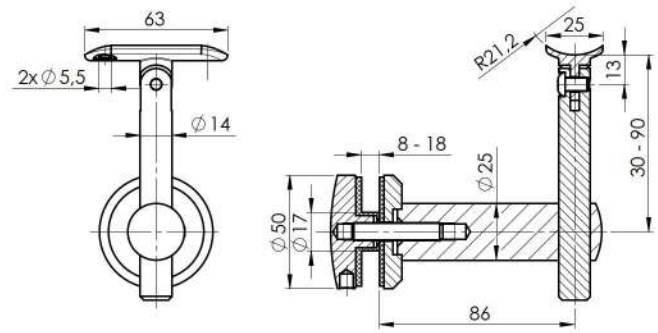


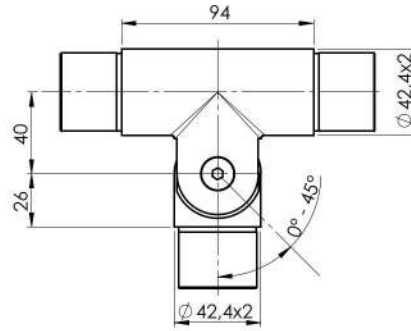
Quality	Finish	Ø	art.	Glass hole
AISI316	satın	48,3	A14/0155-048	20



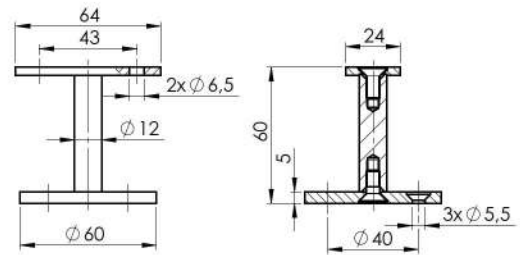
Quality	Finish	art.	Glass hole
AISI304	satın	A/0155-042-B	20

top

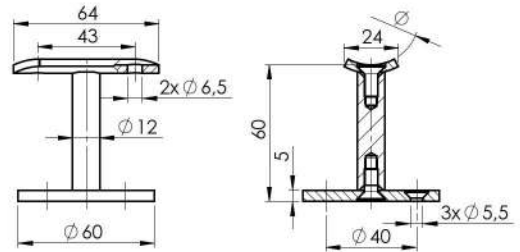




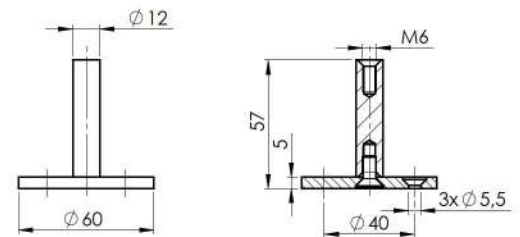
Quality	Finish	art.
AISI304	satin	A/0722-242



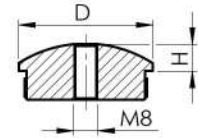
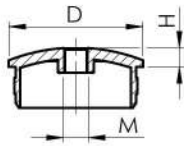
Quality	Finish	art.
AISI304	satin	A/0708-000



Quality	Finish	Ø	art.
AISI304	satin	42,4	A/0708-042-B
		48,3	A/0708-048
AISI316		42,4	A14/0708-042



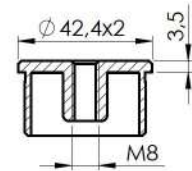
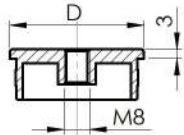
Quality	Finish	art.
AISI316	satin	A14/0708-base



Quality	Finish	D	art.	H	M
AISI304	satin	33,7x2,0	A/5735-233-R	4	8
			A/5735-242		10
	polish	42,4x2,0	A/5735-242-R	6	
AISI316	satin	48,3x2,0	A/5735-248-R	8	8
			A/5735-248-R1	6	
	polish	42,4x2,0	A14/5735-242-R		
		48,3x2,6	A14/5735-249	8,5	

top

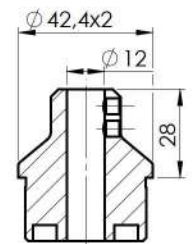
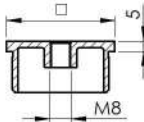
Quality	Finish	D	art.	H
AISI304	satin	33,7x2,0	A/5734-233	7
			A/5734-233-B	5
		42,4x2,0	A/5734-242	9
		48,3x2,0	A/5734-243	7
			A/5734-248	8,5



Quality	Finish	D	art.
AISI304	satin	33,7x2,0	A/5736-233
	polish	42,4x2,0	A/5736-242
AISI316	satin	48,3x2,0	A/5736-248
		42,4x2,0	A14/5736-242

top

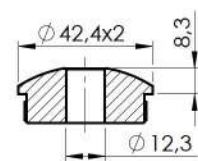
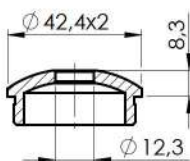
Quality	Finish	art.
AISI304	satin	A/5737-242



Quality	Finish	Ø	art.
AISI304	satin	30x30x2	A/4735-030-R
		40x40x2	A/4735-040-R
		40x40x3	A/4735-041-R
		50x50x2	A/4735-050-R
		60x60x2	A/4735-060-R
AISI316		40x40x2	A14/4735-040-R

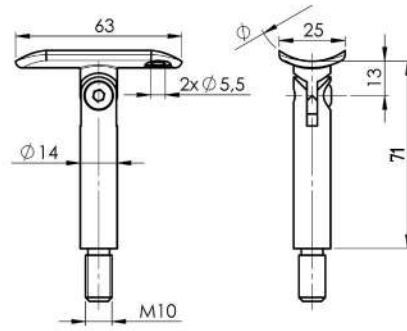
top

Quality	Finish	art.
AISI304	satin	A/5739-242



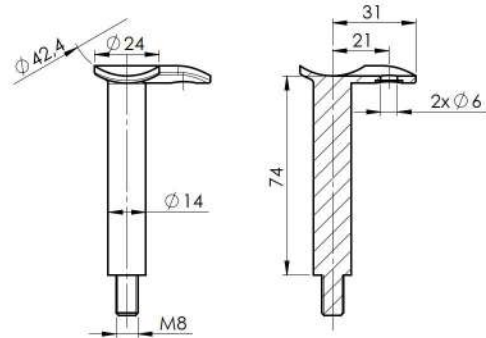
Quality	Finish	art.
AISI304	satin	A/5738-242-12

Quality	Finish	art.
AISI304	satin	A/5740-242-12

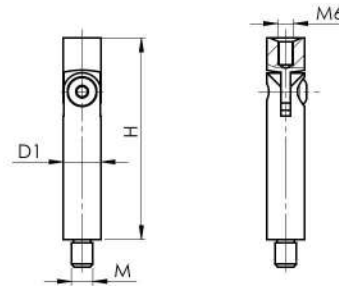


Quality	Finish	Ø	art.
AISI304	satin	flat	A/0818-000-B
		42,4	A/0818-042
		48,3	A/0818-048
AISI316	satin	flat	A/0818-000-L
		42,4	A/0818-042-B-L
			A14/0818-042-B

top

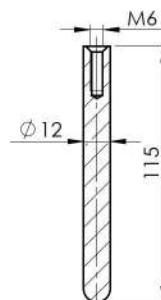


Quality	Finish	art.	flush angle
AISI304	satin	A/0810-942	A/0303...

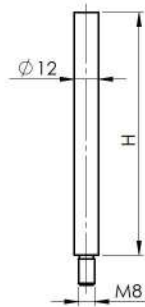


Quality	Finish	art.	D1	H	M
AISI304	satin	A/0812-068	14	68	10
		A/0812-068-S	12		
		A/0812-068-S1	14	75	
		A/0812-068-S1-L			
AISI316	satin	A/0812-068-M5-S		68	8
		A/0812-075	12	75	
		A/0812-100		100	
		A14/0812-068-S1	14	75	

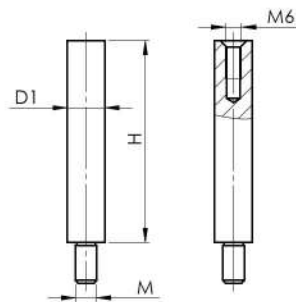
top



Quality	Finish	art.
AISI304	satin	A/0814-115-M6

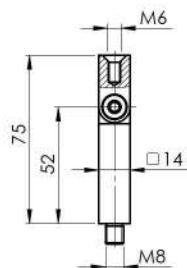


Quality	Finish	art.	H
AISI304	satin	A/0813-075-12Z	75
	polish	A/0813-075-12Z-L	
			A/0813-100-12Z
AISI316	satin	A/0813-120-12Z	120
		A14/0813-100-12Z	100

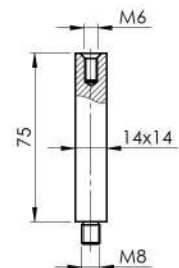


Quality	Finish	art.	D1	H	M
AISI304	satin	A/0811-068	14	68	10
		A/0811-068-S1		75	
		A/0811-068-S1-L	12	68	8
		A/0811-068-S2		68	
	A/0811-068-S3	68			
AISI316	satin	A/0811-075-12S	14	75	8
		A/0811-120-12S		120	
		A14/0811-068-S1	14	75	8
	A14/0811-068-S2	68			

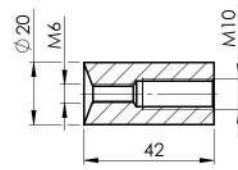
top



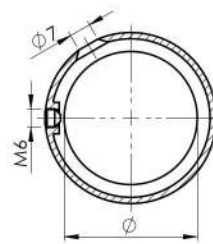
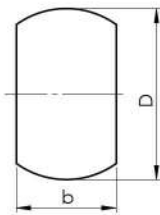
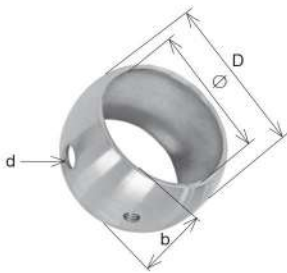
Quality	Finish	art.
AISI304	satin	A/4812-040



Quality	Finish	art.
AISI304	satin	A/4811-040



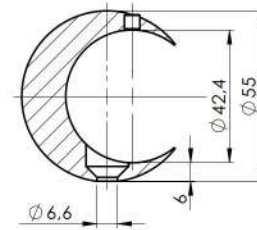
Quality	Finish	art.
AISI304	satin	A/014



A/0708-42-55-35

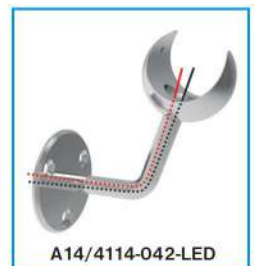
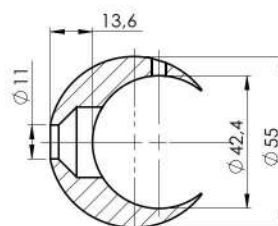
Quality	Finish	∅	art.	D	b
AISI304	satin	33,7	A6/33-55-35-B	44,5	28
		42,4	A6/42-55-35-B	55	32

top



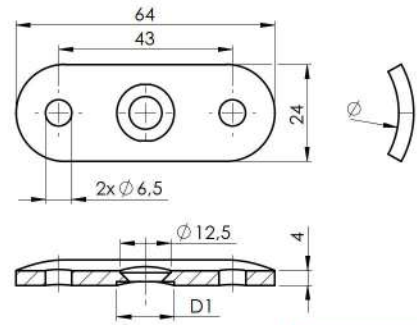
A/0708-42-55-C

Quality	Finish	art.
AISI316	satin	A14/42-55-C



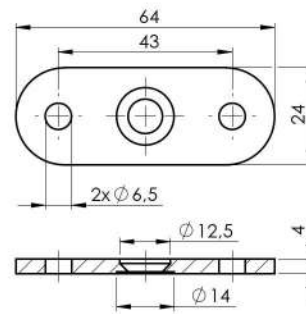
A14/4114-042-LED

Quality	Finish	art.
AISI316	satin	A14/42-55



Quality	Finish	∅	art.	D1
AISI304	satin	33,7	A/1800-033	14
		42,4	A/1800-042	
		48,3	A/1800-048	
AISI316	satin	42,4	A/1800-042-L	14
		48,3	A14/1800-042	
		48,3	A14/1800-048	

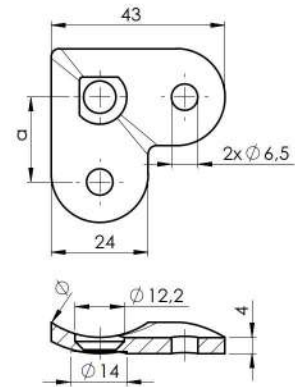
top



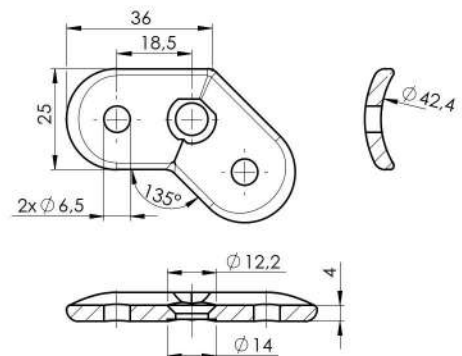
Quality	Finish	art.
AISI304	satin	A/1800-000
AISI316		A14/1800-000

4.4

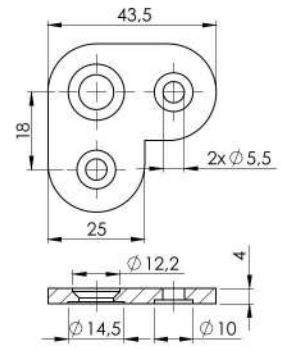
HANDRAIL HOLDERS



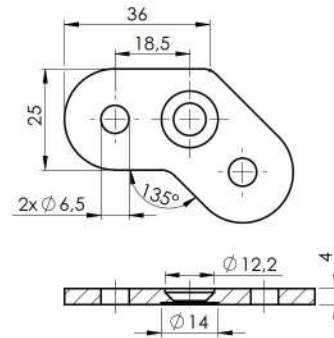
Quality	Finish	∅	art.	a	flush angle
AISI304	satin	42,4	A/1890-042	21	A/0301...
		48,3	A/1890-048		
AISI316	satin	42,4	A14/1890-042	23	A/0303...
		48,3	A14/1890-048		



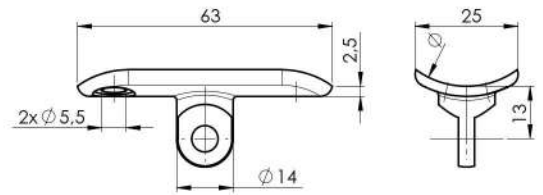
Quality	Finish	art.	flush angle
AISI316	satin	A14/1870-042	A/0300...
		A14/1870-042-B	



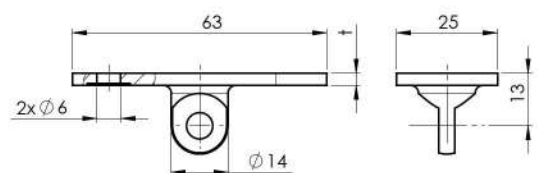
Quality	Finish	art.	flush angle
AISI304	satin	A/1890-000-B	A/0303...



Quality	Finish	art.
AISI316	satin	A14/1870-000



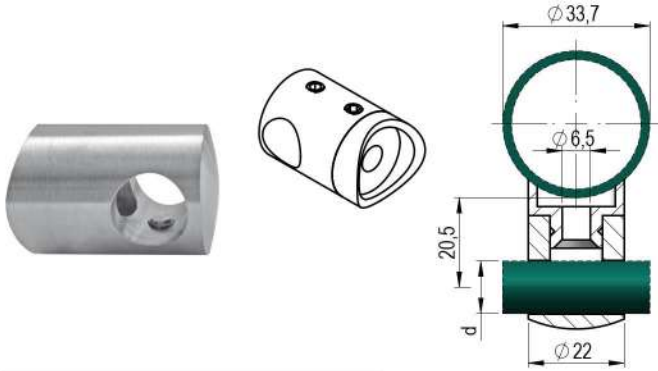
Quality	Finish	Ø	art.
AISI304	satin	33,7	A/1800-233
		42,4	A/1800-242
		48,3	A/1800-248
AISI316		42,4	A14/1800-242



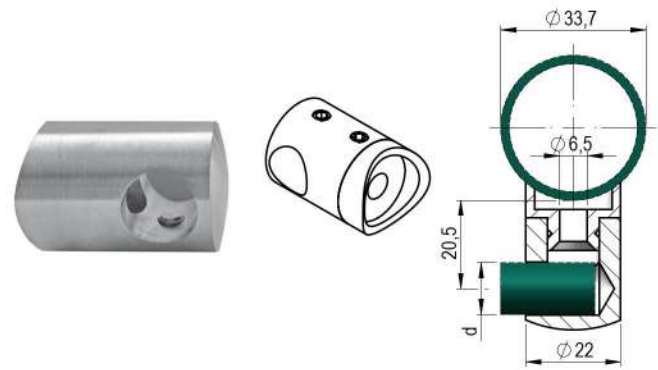
Quality	Finish	art.	t
AISI304	satin	A/1800-200	3
AISI316		A14/1800-200	3
		A14/1800-200-B	5

4.5 CROSSBAR HOLDERS

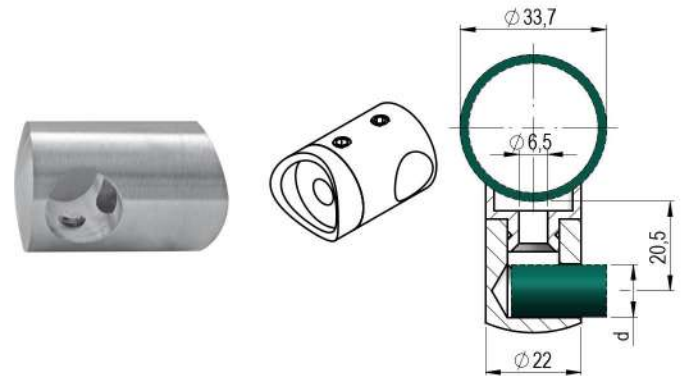




Quality	Finish	art.	d
AISI304	satin	A/0825-033	10
		A/0830-033	12



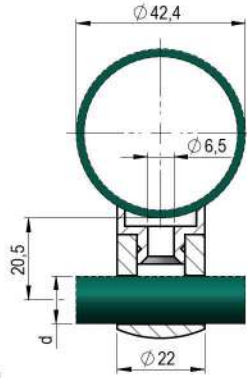
Quality	Finish	art.	d
AISI304	satin	A/0822-033	10
		A/0832-033	12



Quality	Finish	art.	d
AISI304	satin	A/0823-033	10
		A/0833-033	12

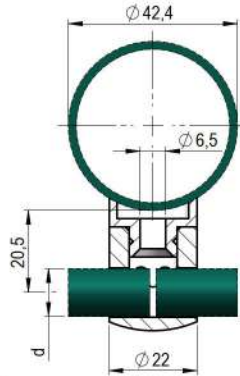


MODEL D42,4/d



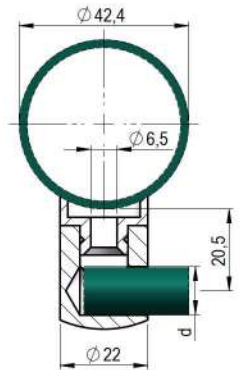
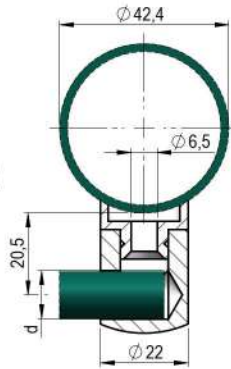
Quality	Finish	art.	d
AISI304	satin	A/0825-042	10
		A/0830-042	12
		A/0835-042	14
	polish	A/0825-042-L	10
		A/0830-042-L	12
		A/0835-042-L	14
AISI316	satin	A14/0830-042	12
	polish	A14/0830-042-L	

top



Quality	Finish	art.	d
AISI304	satin	A/0831-042	12
	polish	A/0831-042-L	
AISI316	satin	A14/0826-042	10
		A14/0831-042	12

top



Quality	Finish	art.	d
AISI304	satin	A/0822-042	10
		A/0832-042	
	polish	A/0832-042-L	12
AISI316	satin	A14/0832-042	

top

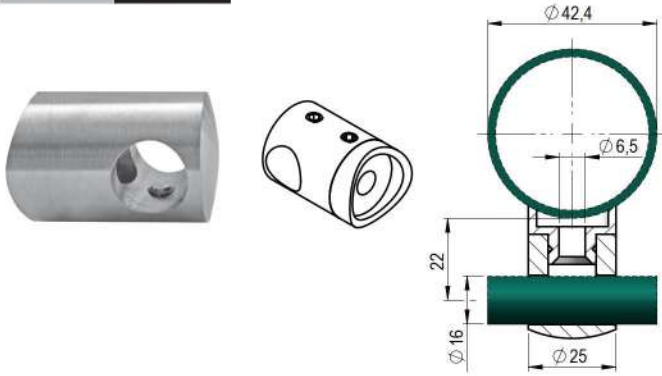
Quality	Finish	art.	d
AISI304	satin	A/0823-042	10
		A/0833-042	
	polish	A/0833-042-L	12
AISI316	satin	A14/0833-042	

top

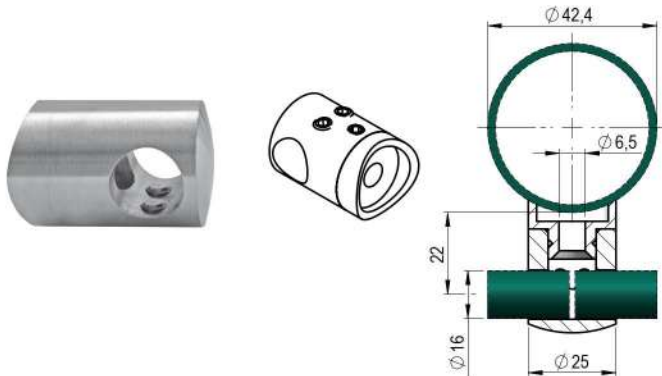
4.5

CROSSBAR HOLDERS

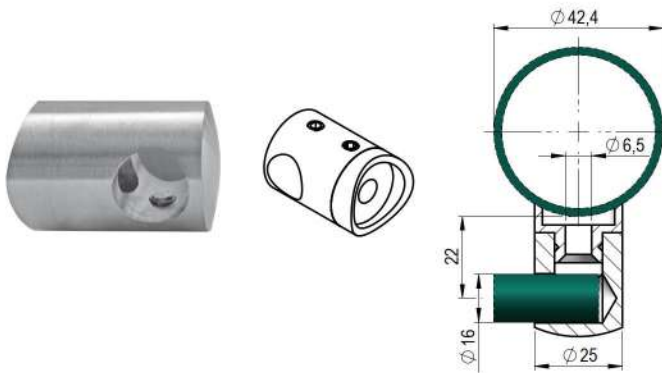
MODEL D42,4/d



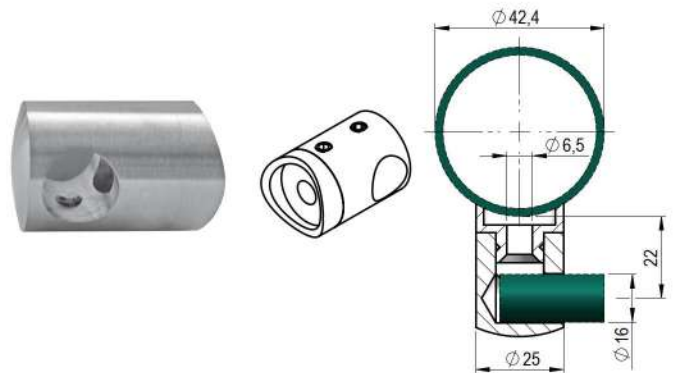
Quality	Finish	art.	d
AISI304	satin	A/0840-042	16
	polish	A/0840-042-L	
AISI316		A14/0840-042-L	



Quality	Finish	art.	d
AISI316	satin	A14/0841-042	16

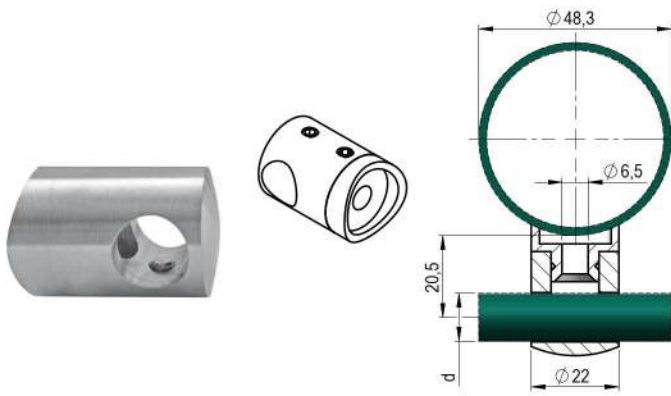


Quality	Finish	art.	d
AISI304	satin	A/0842-042	16

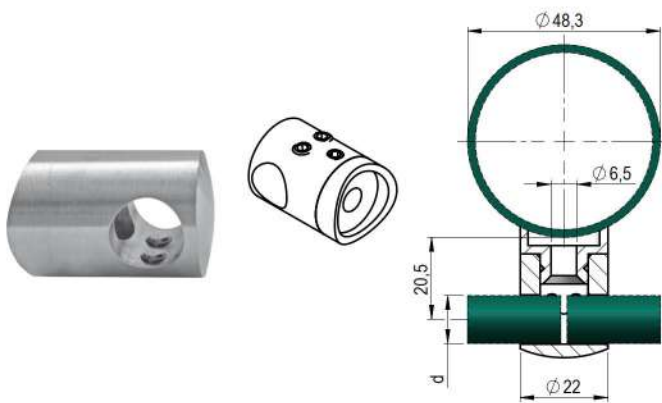


Quality	Finish	art.	d
AISI304	satin	A/0843-042	16

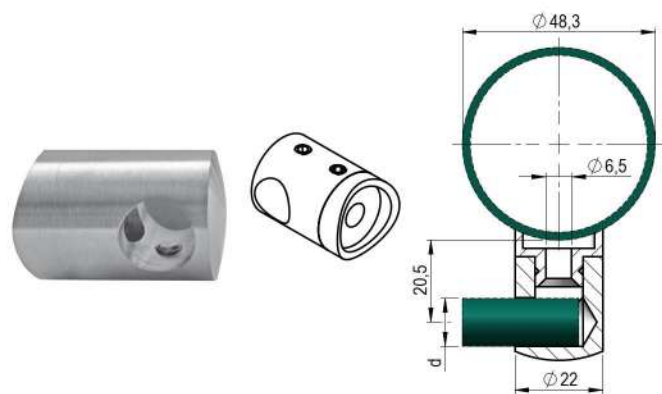
MODEL D48,3/d



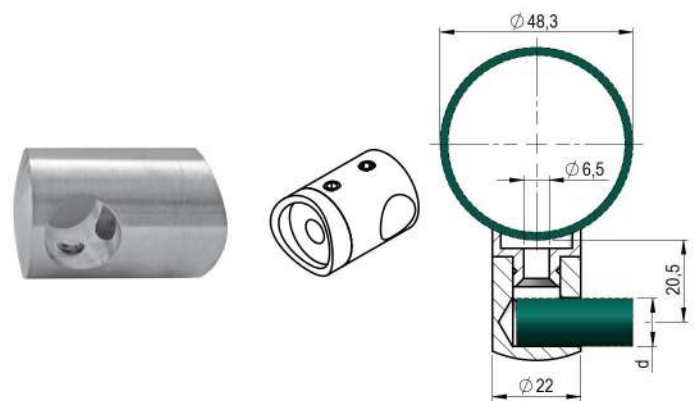
Quality	Finish	art.	d
AISI304	satin	A/0830-048	12
AISI316		A14/0825-048	10



Quality	Finish	art.	d
AISI316	satin	A14/0826-048	10
		A14/0831-048	12



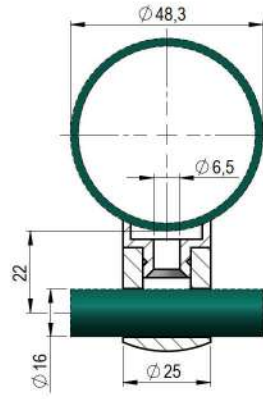
Quality	Finish	art.	d
AISI316	satin	A14/0822-048	10
		A14/0832-048	12



Quality	Finish	art.	d
AISI316	satin	A14/0823-048	10
		A14/0833-048	12

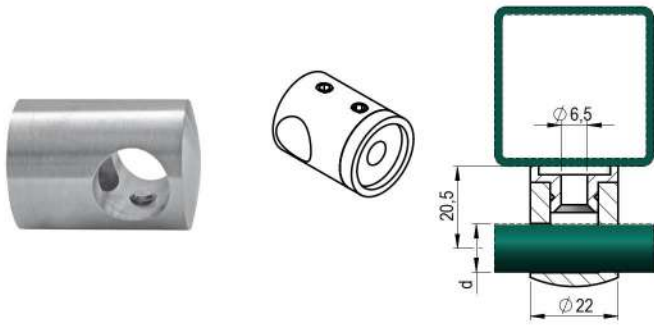
4.5
CROSSBAR HOLDERS

MODEL D48,3/d



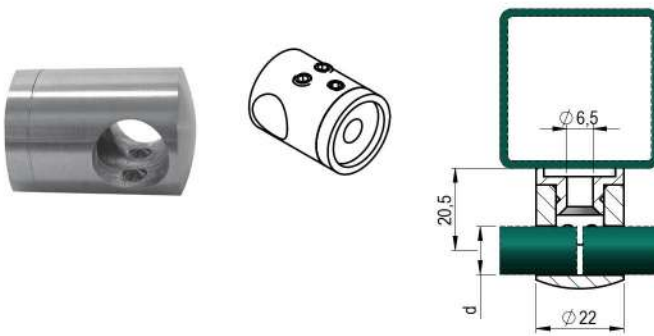
Quality	Finish	art.	d
AISI304	satin	A/0840-048	16

MODEL 00/d



Quality	Finish	art.	d
AISI304	satin	A/0825-000	10
		A/0830-000	12
		A/0835-000	14
	polish	A/0830-000-L	12
AISI316	satin	A14/0825-000	10
		A14/0830-000	12

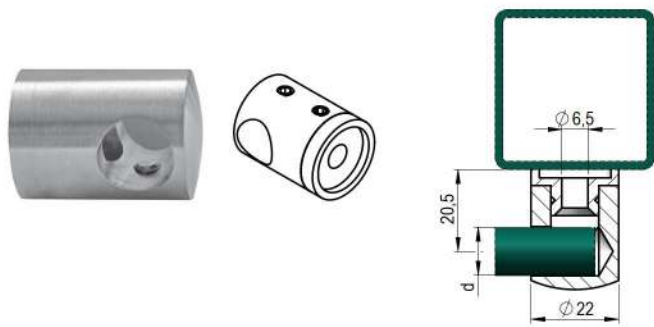
top



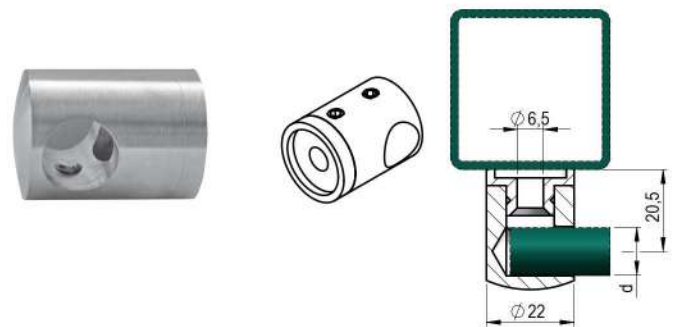
Quality	Finish	art.	d
AISI304	satin	A/0831-000	12
AISI316		A14/0826-000	10
		A14/0831-000	12

4.5

CROSSBAR HOLDERS

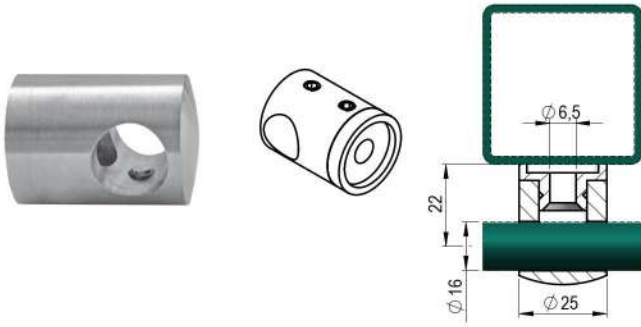


Quality	Finish	art.	d
AISI304	satin	A/0822-000	10
		A/0832-000	12
		A/0832-000-L	12
AISI316	satin	A14/0832-000	12

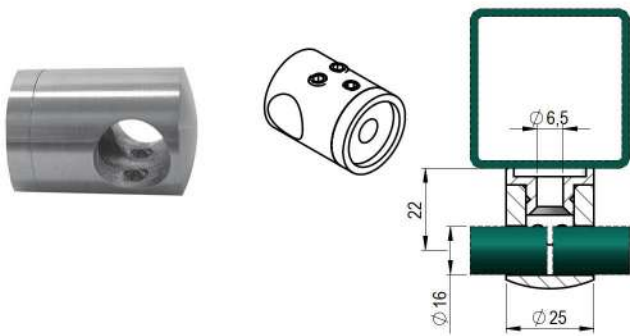


Quality	Finish	art.	d
AISI304	satin	A/0833-000	12
AISI316		A14/0833-000	

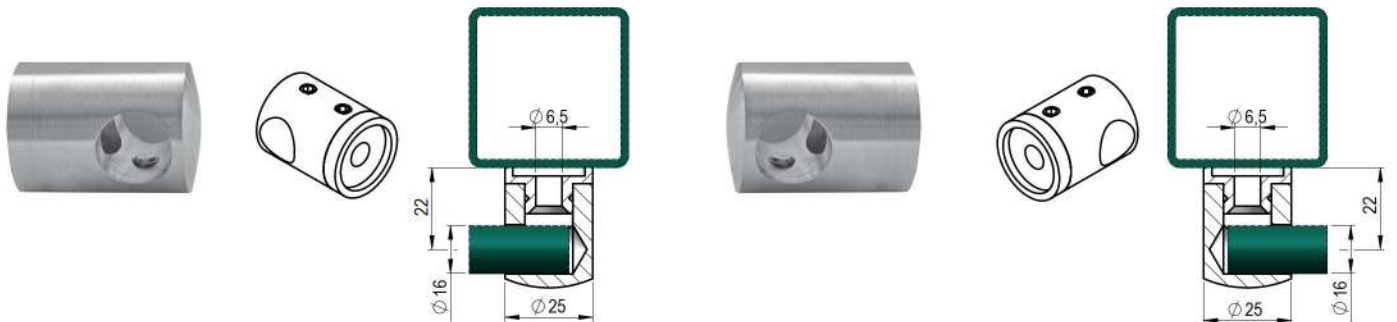
MODEL 00/d



Quality	Finish	art.	d
AISI304	satin	A/0840-000	16
	polish	A/0840-000-L	



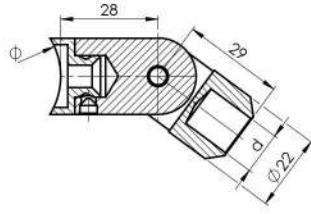
Quality	Finish	art.	d
AISI316	satin	A14/0841-000	16



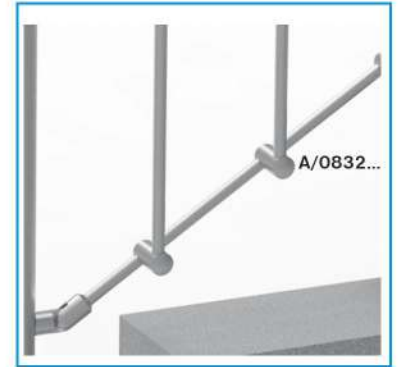
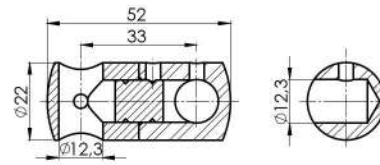
Quality	Finish	art.	d
AISI304	satin	A/0842-000	16

Quality	Finish	art.	d
AISI304	satin	A/0843-000	16

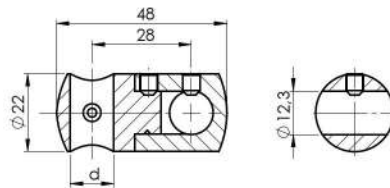
SYSTEM VERTICAL



Quality	Finish	Ø	art.	d
AISI304	satin	42,4	A/0855-042	12
		flat	A/0855-000	
		42,4	A/0856-042	14
		flat	A/0856-000	

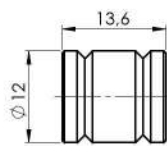


Quality	Finish	art.
AISI304	satin	A/0832-012-0



4.5 CROSSBAR HOLDERS

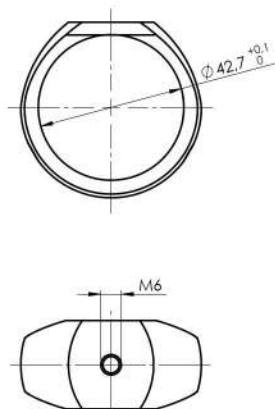
Quality	Finish	art.	d
AISI304	satin	A/0830-012	12
		A/0830-014	14
		A/0830-016	16



			+		+		
d10	A/0825-000	A/0823-000	A/0822-000	A/083-PIN	A/0825-000	A/0830-000	A/0835-000
d12	A/0830-000	A/0833-000	A/0832-000				
d14	A/0835-000						
d16	A/0840-000	A/0843-000	A/0842-000	A/083-PIN	A/0840-000		

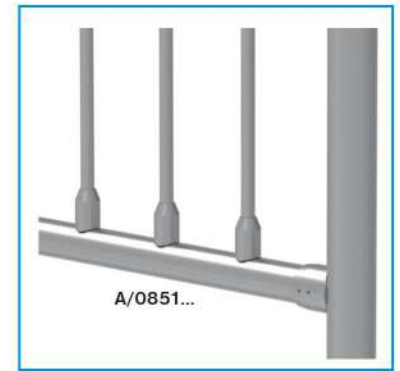
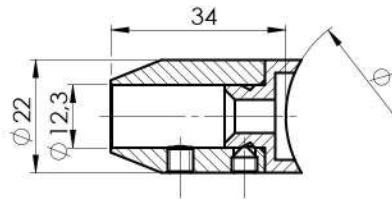
AISI 304 satin example. Combinations also available for AISI 304 polish and AISI 316 satin.

Quality	Finish	art.
AISI304	satin	A/083-PIN

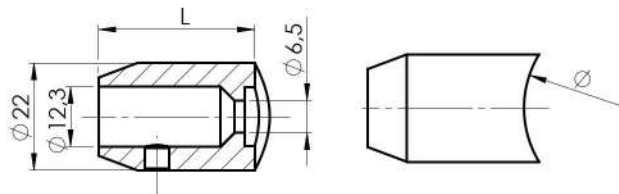


Quality	Finish	art.
AISI304	satin	A/0801-042

SYSTEM VERTICAL

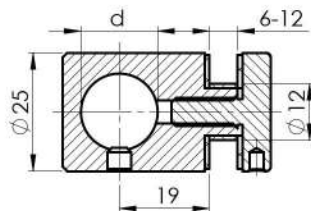


Quality	Finish	∅	art.
AISI304	satin	flat	A/0851-000
		33,7	A/0851-033
		42,4	A/0851-042

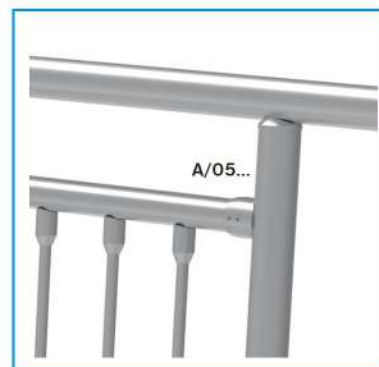
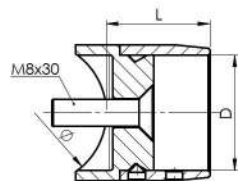


Quality	Finish	∅	art.	L
AISI304	satin	42,4	A/0850-042	32
		flat	A/0850-000	32

top



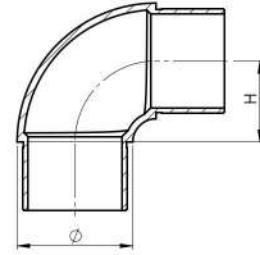
Quality	Finish	art.	d
AISI304	satin	A/0746-012	12
		A/0746-016	16



Quality	Finish	∅	art.	D	L
AISI304	satin	33,7	A/0502-033	33,7	30
		42,4	A/0502-042		34
		42,4	A/0522-042	42,4	

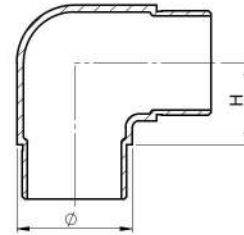
4.6 CONNECTORS



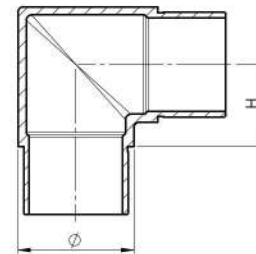


Quality	Finish	Ø	art.	H
AISI304	satin	33,7x2,0	A/0305-233	36
		42,4x2,0	A/0305-242	30
			A/0305-242-S	44
	polish	48,3x2,0	A/0305-248	35
AISI316	satin	42,4x2,0	A14/0305-242-B	30
	polish	48,3x2,0	A14/0305-248-L	35

top

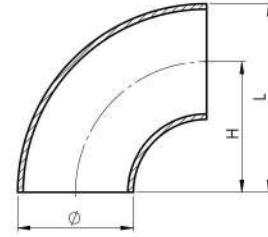


Quality	Finish	Ø	art.	H
AISI304	satin	33,7x2,0	A/0303-233	25
		42,4x2,0	A/0303-242	30
			A/0303-242-B	31
	polish	48,3x2,0	A/0303-248	30
AISI316	satin	42,4x2,0	A14/0303-242	30
	polish	48,3x2,6	A14/0303-249	35
	polish	42,4x2,0	A14/0303-242-L	30

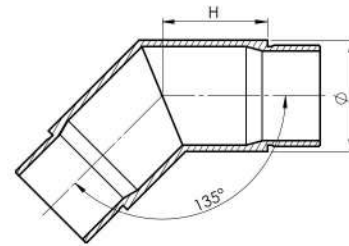


Quality	Finish	Ø	art.	H
AISI304	satin	33,7x2,0	A/0301-233-S	20
		42,4x2,0	A/0301-242	30
		48,3x2,0	A/0301-248	35
AISI316	satin		A/0301-242-L	30
		42,4x2,0	A14/0301-242	30
	polish		A14/0301-242-S	44
		48,3x2,6	A14/0301-249	35

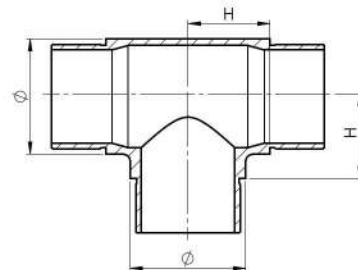
top



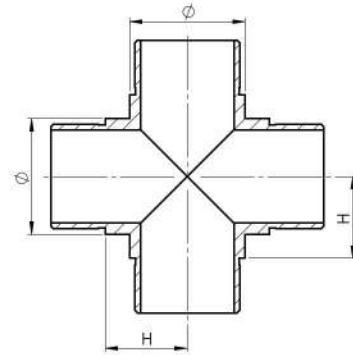
Quality	Finish	Ø	art.	H	L
AISI304	satin	33,7x2,0	A/1305-233	38	55
		42,4x2,0	A/1305-242	48	69
	polish	48,3x2,0	A/1305-248	57	81
		42,4x2,0	A/1305-242-L	48	69
AISI316	satin	33,7x2,0	A/1305-233-N	38	55
		42,4x2,0	A14/1305-242	48	69



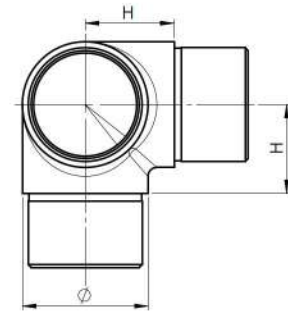
Quality	Finish	Ø	art.	H
AISI304	satin	33,7x2,0	A/0300-233	25
AISI316		42,4x2,0	A/0300-242-B	30
		48,3x2,0	A14/0300-242-B	35
		48,3x2,0	A14/0300-248	35



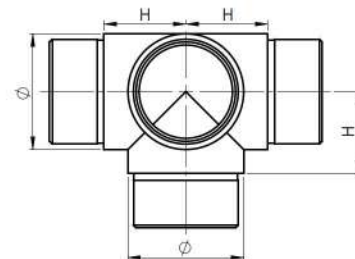
Quality	Finish	Ø	art.	H
AISI304	satin	33,7x2,0	A/0307-233	25
			A/0307-242-S	
	polish	42,4x2,0	A/0307-242-L	30
AISI316	satin	48,3x2,0	A14/0307-242-S	35
			A14/0307-248	



Quality	Finish	Ø	art.	H
AISI304	satin	33,7x2,0	A/0308-233	24
		42,4x2,0	A/0308-242	30

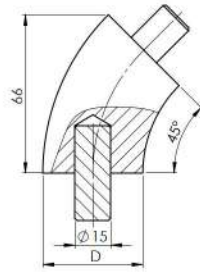


Quality	Finish	Ø	art.	H
AISI304	satin	33,7x2,0	A/0304-233	25
			A/0304-242	31
	polish	42,4x2,0	A/0304-242-L	29
AISI316	satin	48,3x2,0	A14/0304-242	31
			A14/0304-248	35

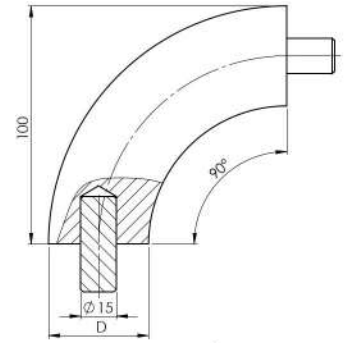


Quality	Finish	Ø	art.	H
AISI304	satin	33,7x2,0	A/0309-233	24
		42,4x2,0	A/0309-242	30

SYSTEM FIX



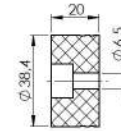
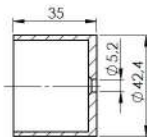
Quality	Finish	D	art.
Beech	natural	42	WB/D42-45°



Quality	Finish	D	art.
Beech	natural	42	WB/D42-90°
Oak	natural	42	WD/D42-90°

4.6

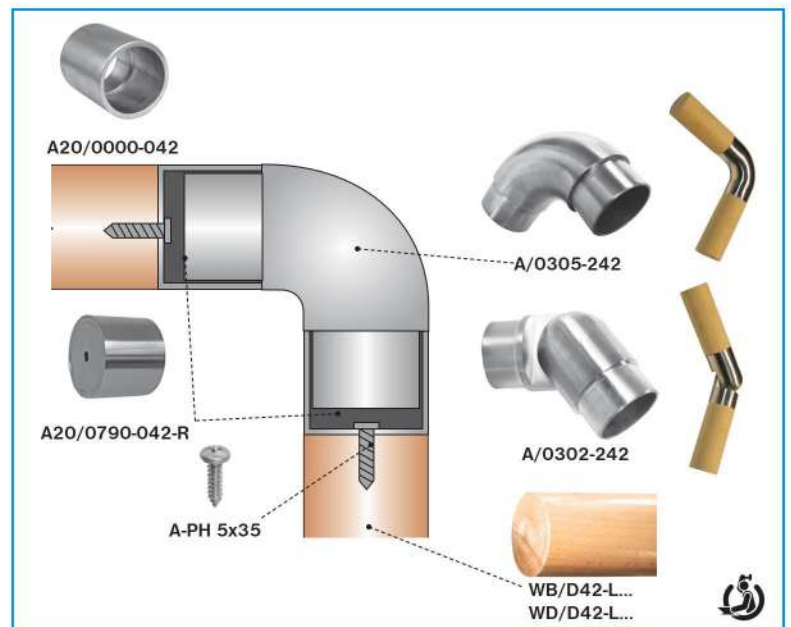
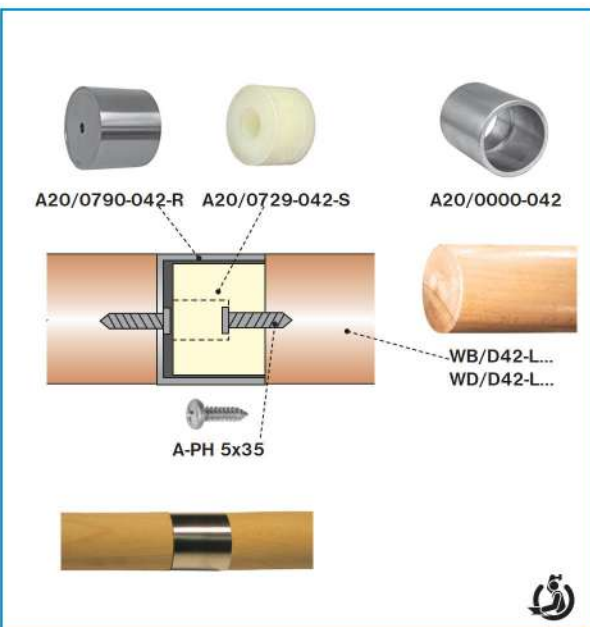
CONNECTORS

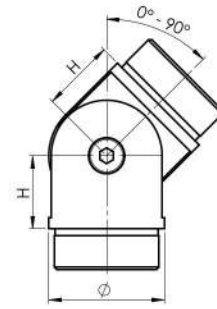


Quality	Finish	art.
AISI304	satın	A20/0790-042-R



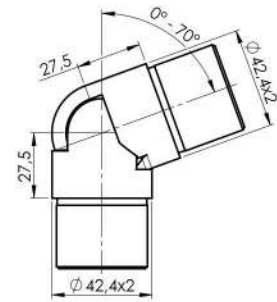
Quality	art.
PVC	A20/0729-042-S



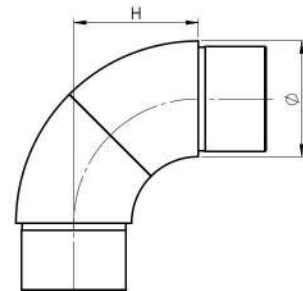


Quality	Finish	Ø	art.	H
AISI304	satin	33,7x2,0	A/0302-233	22
		42,4x2,0	A/0302-242	27
	polish	48,3x2,0	A/0302-248	29
AISI316	satin	42,4x2,0	A14/0302-242	27
	polish		A14/0302-242-L	27

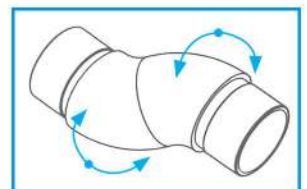
top



Quality	Finish	art.
AISI304	satin	A/0312-242-B
	polish	A/0312-242-L
AISI316	satin	A14/0312-242

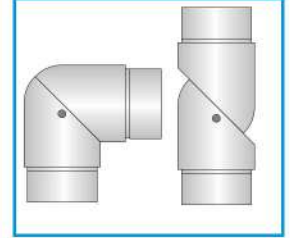
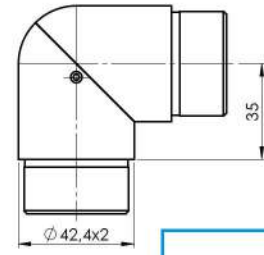


Quality	Finish	Ø	art.	H
AISI304	satin	33,7x2,0	A/0302-033	38
		42,4x2,0	A/0302-042	46

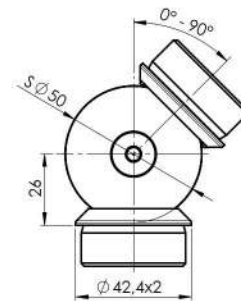
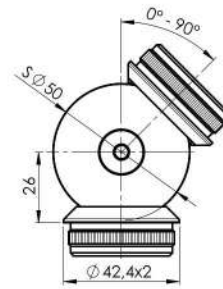




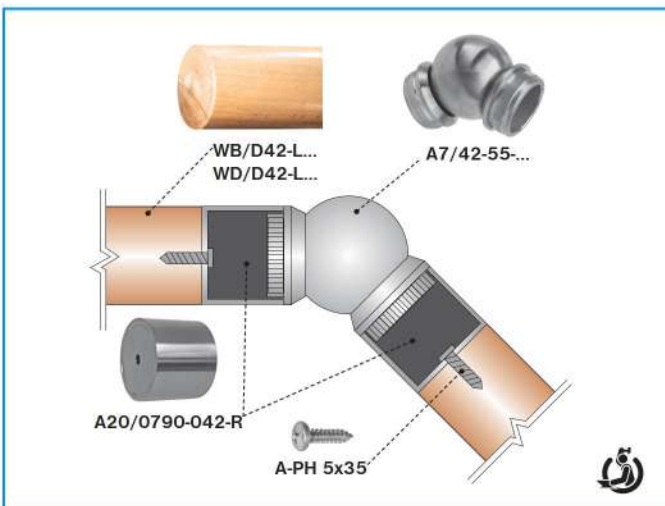
Quality	Finish	art.
AISI304	satin	A/0313-242

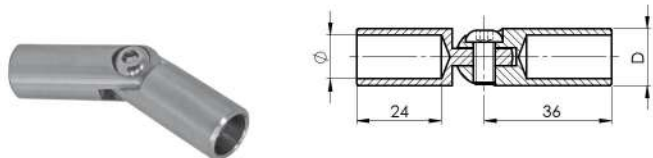


Quality	Finish	art.
AISI304	satin	A7/42-55-A

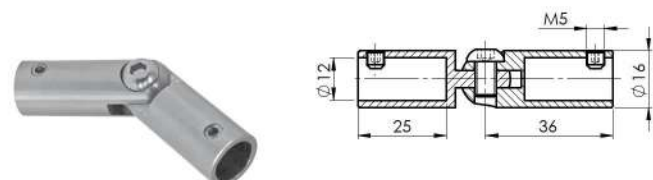


Quality	Finish	art.
AISI304	satin	A7/42-55-B

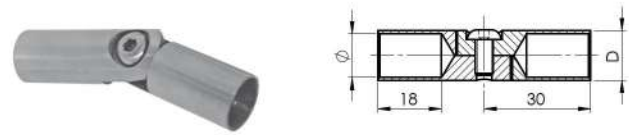




Quality	Finish	∅	art.	D
AISI304	satin	12	A/0302-012	16
		14	A/0302-014	
	polish		A/0302-012-L	
AISI316	satin	12	A14/0302-012	16
	polish		A14/0302-012-L	

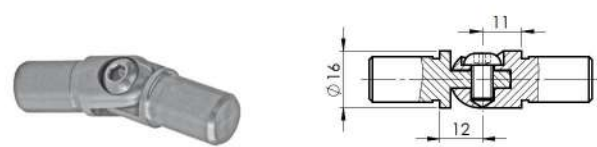


Quality	Finish	art.
AISI304	satin	A/0302-012-B

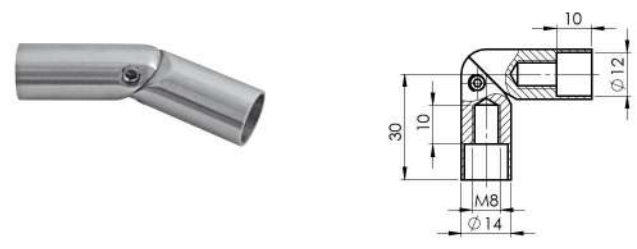


Quality	Finish	∅	art.	D
AISI304	satin	10	A/0302-010-S	12
AISI316		12	A/0302-012-S	14
			A14/0302-012-S	

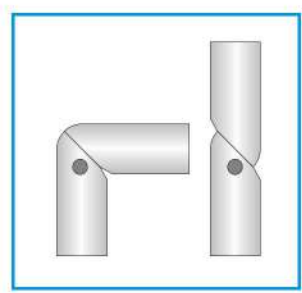
top



Quality	Finish	art.
AISI304	satin	A/0302-016

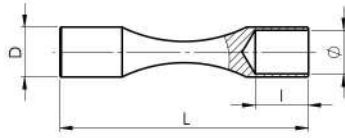


Quality	Finish	art.
AISI304	satin	A/0313-012

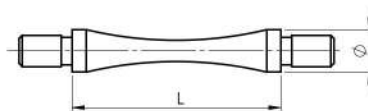


Quality	Finish	∅	art.
AISI304	satin	12	A/0302-012-C

SYSTEM FLEX



Quality	Finish	∅	art.	L	D
AISI304	satin	10	A/0012-010	80	12
		12	A/0012-012-B	70	14

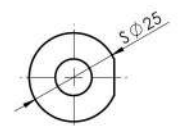
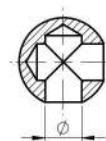
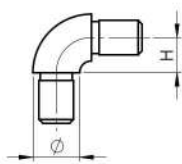


Quality	Finish	∅	art.
AISI304	satin	12x1,5	A/0013-012

4.6

CONNECTORS

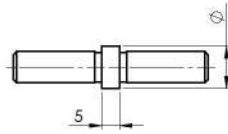
SYSTEM FIX



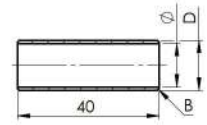
Quality	Finish	∅	art.	H
AISI304	satin	12x1,5	A/0305-012	9
		16x1,5	A/0305-016	11

top

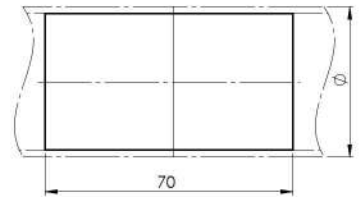
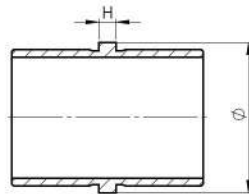
Quality	Finish	∅	art.
AISI304	satin	10	A/0220-210
		12	A/0220-225



Quality	Finish	ϕ	art.
AISI304	satin	12x1,5	A/0041-012-B
AISI316			A14/0041-012



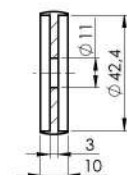
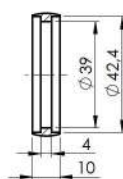
Quality	Finish	ϕ	art.	D	B
AISI304	satin	10	A/0040-010	12	1x45°
		12	A/0040-012	14	
		14	A/0040-014	16	
		16	A/0040-016	18	



Quality	Finish	ϕ	art.	H
AISI304	satin	33,7x2,0	A/0790-233	5
		42,4x2,0	A/0790-242	4
		48,3x2,0	A/0790-248	6
AISI316	polish		A/0790-242-L	5
		42,4x2,6	A14/0790-242	4
	satin	48,3x2,0	A14/0790-249	5
		polish	42,4x2,0	A14/0790-242-L

top

Quality	Finish	ϕ	art.
AISI304	satin	33,7x2	A/0791-033
		42,4x2	A/0791-042



Quality	Finish	art.
AISI304	satin	A7/42-11-A

Quality	Finish	art.
AISI304	satin	A7/42-11

4.7 END CAPS



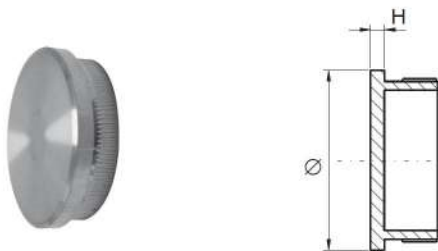


Quality	Finish	Ø	art.	H
AISI304	satin	33,7x2,0	A/5729-233-B	5
		42,4x2,0	A/5729-242	6
		48,3x2,0	A/5729-248	8
AISI316	polish		A/5729-242-L	
		42,4x2,0	A14/5729-242	6
	polish		A14/5729-242-L	

top



Quality	Finish	Ø	art.	H
AISI304	satin	33,7x2,0	A/5728-233	6
			A/5728-242	
		42,4x2,0	A/5728-242-A	9
			A/5728-242-B	4
			A/5728-242-C	2
		42,4x3,0	A/5728-243	6

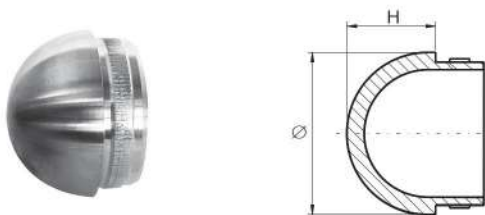


Quality	Finish	Ø	art.	H
AISI304	satin	33,7x2,0	A/5732-233	3
		42,4x2,0	A/5732-242	
			A/5732-248	2
		48,3x2,0	A/5732-248-B	4,5
AISI316	polish		A/5732-242-L	
		42,4x2,0	A14/5732-242	3
	polish		A14/5732-242-L	

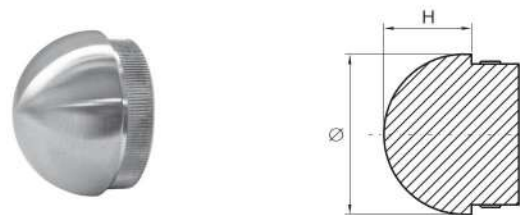
top



Quality	Finish	Ø	art.	H
AISI304	satin	33,7x2,0	A/5731-233	1,4
			A/5731-242	3
		42,4x2,0	A/5731-242-A	5
AISI316			A14/5731-242	3



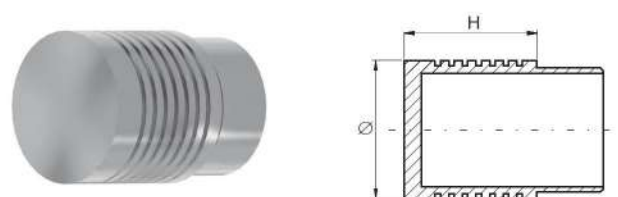
Quality	Finish	Ø	art.	H
AISI304	satin	33,7x2,0	A/5730-233	17
		42,4x2,0	A/5730-242	
		48,3x2,0	A/5730-248	23
			A/5730-249	
AISI316	satin	42,4x2,0	A14/5730-242	21



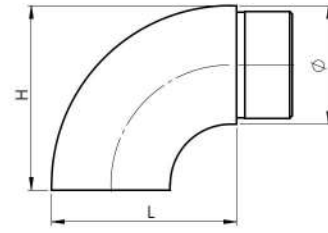
Quality	Finish	Ø	art.	H
AISI304	satin	42,4x2,0	A/5733-242	21



Quality	Finish	Ø	art.	H
AISI304		42,4x2,0-2,6	A/0014-042	7,5
AISI316	satin	12x1,0-1,5	A14/0014-012	3
		42,4x2,0-2,6	A14/0014-042	7,5

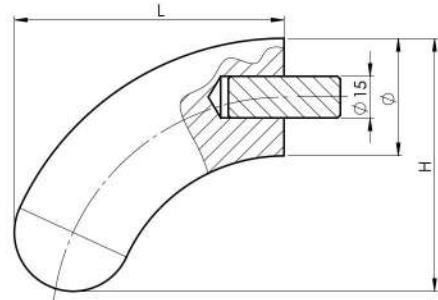


Quality	Finish	Ø	art.	H
AISI316	satin	42,4x2,0	A14/0736-242	40

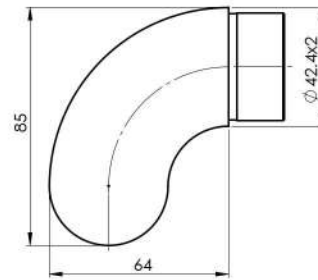


Quality	Finish	∅	art.	L	H
AISI304	satin	33,7x2,0	A/0739-233	55	57
	polish	42,4 x2,0	A/0739-242-S A/0739-242-L	66	66
AISI316	satin	33,7x2,0	A14/0739-233	55	57
		42,4 x2,0	A14/0739-242	66	66
		48,3 x2,6	A14/0739-249	75	77

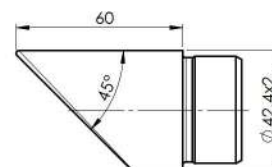
top



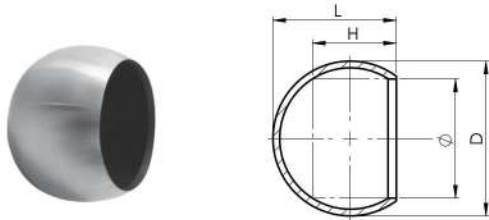
Quality	Finish	∅	art.	L	H
Beech	natural	42	WB/D42-86°	97	90
Oak			WD/D42-86°		
		50	WD/D50-86°	99	95



Quality	Finish	art.
AISI304	satin	A/0739-242-R



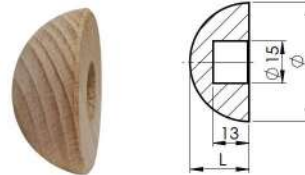
Quality	Finish	art.
AISI304	satin	A/0737-242



Quality	Finish	∅	art.	D	L	H
AISI304	satin	33,7	A9/33	47	38	27
		42,4	A9/42	55	44	30
		48,3	A9/48	65	52	38
AISI316		42,4	A14/9-42	55	44	30



Quality	Finish	∅	art.	L
AISI 304	satin	42	WA/D42-G2	21
		50	WA/D50-G2	25



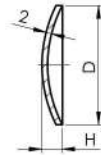
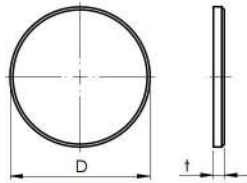
Quality	Finish	∅	art.	L
Beech	natural	42	WB/D42-G2	20
Oak			WD/D42-G2	



Quality	Finish	∅	art.	L
Beech	natural	15	WOOD/D15x40	40



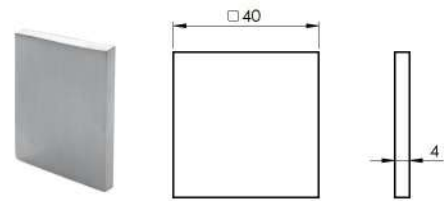
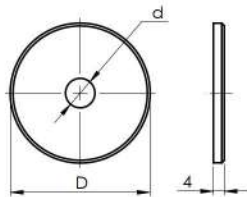
Quality	Finish	art.	M
Fe	Zinc	WOOD/M8-D	8
		WOOD/M10-D	10
		WOOD/M12-D	12



Quality	Finish	D	art.	t	
AISI304	satin	33	A/1732-033	4	
		40	A/1732-040		
		42	A/1732-042		
		48	A/1732-048		
		50	A/1732-050		
		60	A/1732-060		
		80	A/1732-080		
		100	A/1732-100		
	120	A/1732-100x6	6		
	polish	42		A/1732-042-L	4
		48		A/1732-048-L	
		raw		42	

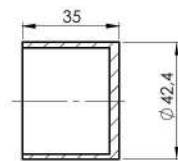
top

Quality	Finish	D	art.	H
AISI304	satin	33	A/1733-033	6
		48	A/1733-048	8

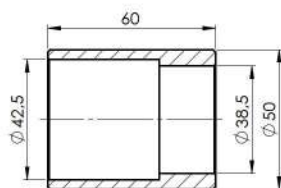
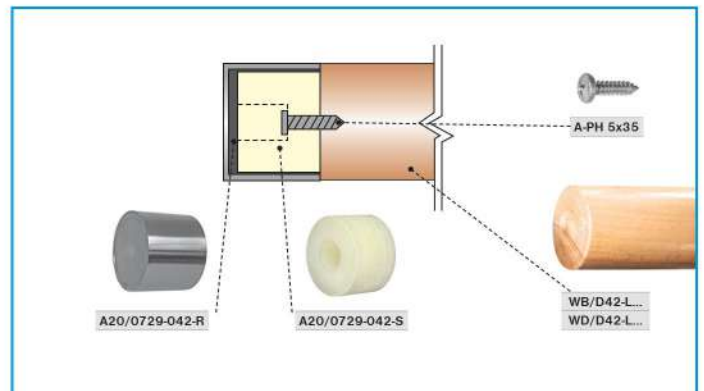


Quality	Finish	D	art.	d
AISI304	satin	33	A/1732-033-12	12,5
		40	A/1732-040-12	12,5
		50	A/1732-050-10	10,5

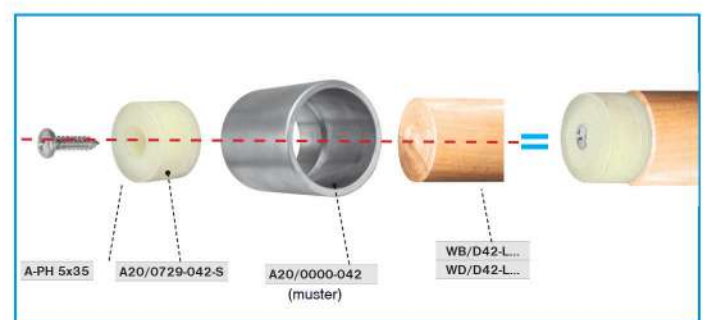
Quality	Finish	art.
AISI304	satin	A/1734-040

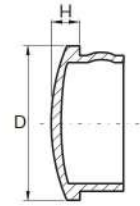
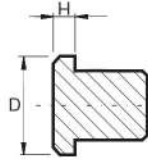


Quality	Finish	art.
AISI304	satin	A20/0729-042-R



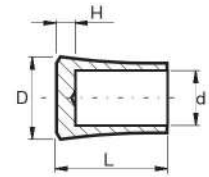
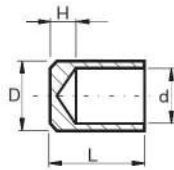
Quality	Finish	∅	art.	L	D
ALUMINIUM	raw	42,4	A20/0000-042	60	50





Quality	Finish	D	art.	H
AISI304	satin	12x1,5	A10/0010-012	3
		16x1,5	A10/0010-016	

Quality	Finish	D	art.	H
AISI316	satin	12x1,0-1,5	A14/0014-012	3
		16x1,0-2,0	A14/0014-016	3,5
		42,4x2,0-2,6	A14/0014-042	7,5



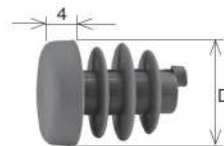
Quality	Finish	d	art.	D	L	H
AISI304	satin	10	A10/0015-010	15	15	5
		12	A10/0015-012-A			
		14	A10/0015-014			
		16	A10/0015-016			
AISI304	polish	12	A10/0015-012-L	14	15	5
		16	A10/0015-016-L	18	21	6
AISI316	satin	12	A14/0015-012-A	15	15	5
		14	A14/0015-014	16	15	5
		16	A14/0015-016	18	21	6

top

Quality	Finish	d	art.	D	L	H
AISI304	satin	10	A10/0017-010	18	22	2
		12	A10/0017-012			



Quality	Finish	D	art.
PVC	gray	42,4 x2,0	A9/42-PVC



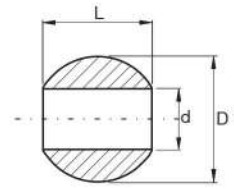
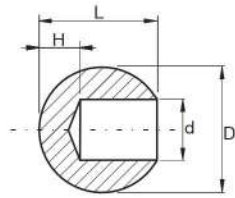
Quality	Finish	D	art.
PVC	gray	12 x 1,5	A10/12-PVC



Quality	Finish	□	art.
PVC	gray	40x40x2	A9/40x40-PVC



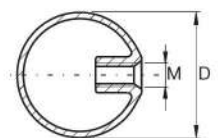
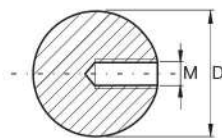
Quality	Finish	□	art.
PVC	gray	12x12x1	A9/12x12-PVC



Quality	Finish	d	art.	D	L	H
AISI304	satin	10	A/0221-010	20	19	7
			A/0221-2510	25	23	10
			A/0221-012	20	18	5
		12	A/0221-2512	25	24	12
			A/0221-3012	30	28	13
	14	A/0221-2514	25	22	8	
		A/0221-014	20	17	6	
	16	A/0221-016	25	22	9	
	polish	12	A/0221-012-L	20	18	6
		16	A/0221-016-L	25	22	9
AISI316	satin	12	A14/0221-012	20	18	6
	polish		A14/0221-012-L			

top

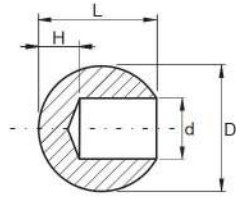
Quality	Finish	d	art.	D	L
AISI304	satin		A/0224-2012	20	15,5
		12	A/0224-2512	25	22
			A/0224-3012	30	27
		14	A/0224-3014		26



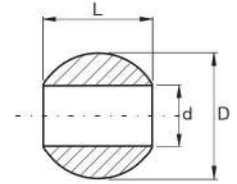
Quality	Finish	D	art.	M
AISI304	satin	15	A/0220-015	6
		20	A/0220-020	
		25	A/0220-025	
		30	A/0220-030	
		40	A/0220-040	

Quality	Finish	D	art.	M
AISI304	satin	40	A/0220-040-R	8
			A/0220-050-R	
		50	A/0220-050-R-B	10
		60	A/0220-060	8
		70	A/0220-070	
		80	A/0220-080-R	
		100	A/0220-100	10
		97	A/0220-100-B	
		120	A/0220-120	
		150	A/0220-150	12
	200	A/0220-200		
	50	A/0220-050-R-L	8	
	polish	80	A/0220-080-R-L	10

4.7
END CAPS



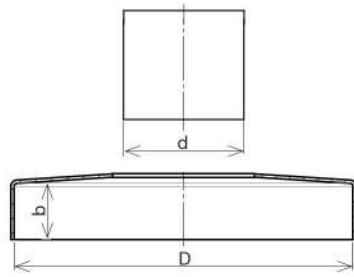
Quality	Finish	d	art.	D	L	H
Brass	polish	12	B/0221-2512	25	23	7



Quality	Finish	d	art.	D	L
Brass	polish	12	B/0224-2512	25	22

4.8 FLANGES, BASE COVERS





Quality	Finish	d	D	b	art.
AISI304	satin	33,7	103	17	A/0512-033
		73	11	A/0515-042-B	
		83	10	A/0516-042	
		88	14	A6/90x42x13-S	
		103	17	A/0512-042	
		123	24	A/0513-042	
	48,3	17	A/0512-048		
	103	22	A6/105x48x25		
	50,0	17	A/0512-050		
	AISI316	polish	73	11	A/0515-042-L
88			12	A6/90x42x13-L	
satin		42,4	17	A/0512-042-L	
		42,4	103	22	A14/105x42x25
AISI316	satin	48,3	17	A14/0512-048	
		48,3	23	A14/105x48x25	
	123	16	A14/0513-048		
	50,0	103	17	A14/0512-050	
polish	42,4	103	17	A14/0512-042-L	

top



Quality	Finish	d	D	b	art.
AISI316	satin	12	43,5	12	A14/0517-012
		42	103,5	17	A14/0517-042

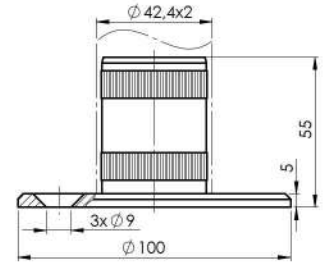
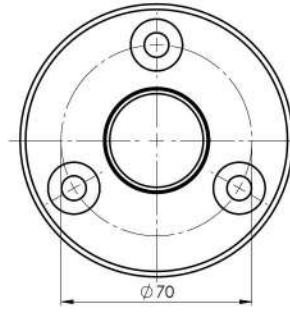


Quality	Finish	d	D	b	art.
AISI304	satin	-	88	11	A6/90x00x13-S
		-	103	17	A/0512-000

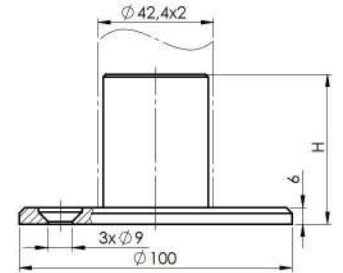
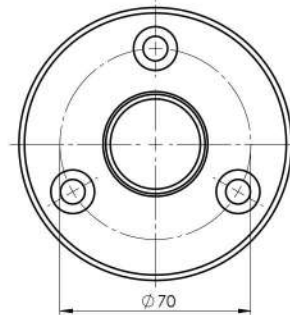


Quality	Finish	d	D	b	art.
AISI304	satin		43	12	A/0514-012-B
		12	58		A6/60x12x12
			72	11	A/0515-012
	polish	14	43,6		A/0514-014
AISI316	satin	12	43	12	A14/0514-012

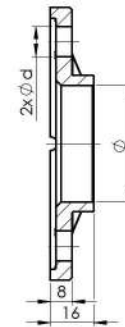
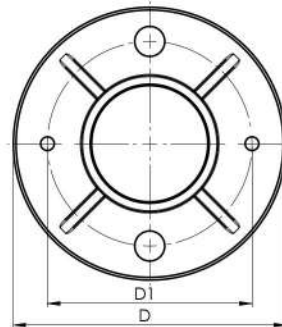
top



Quality	Finish	art.
AISI304	satin	A/0942-242
AISI316		A14/0942-242

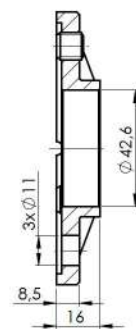
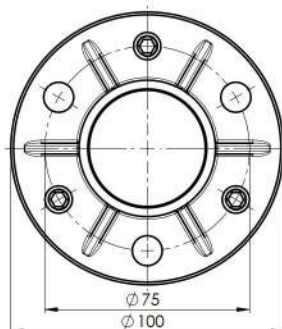


Quality	Finish	art.	H
AISI304	satin	A/0941-242x55	55
		A/0941-242x120	120



Quality	Finish	φ	art.	D	d	D1
AISI304	raw	33,7	A/0940-033-N	100	11	75
		42,4	A/0940-042-N			
48,3		A/0940-048-N-B				
AISI316		42,4	A14/0940-042-N	120		90
		48,3	A14/0944-048-N			

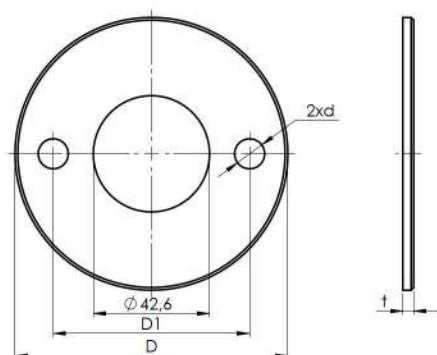
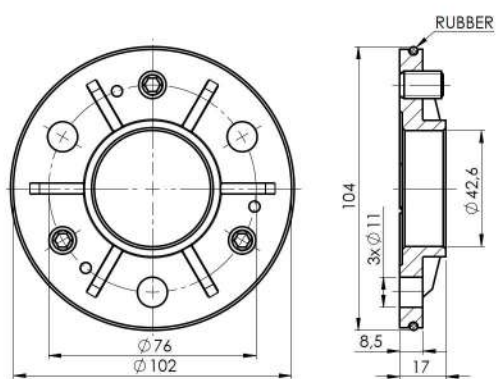
top



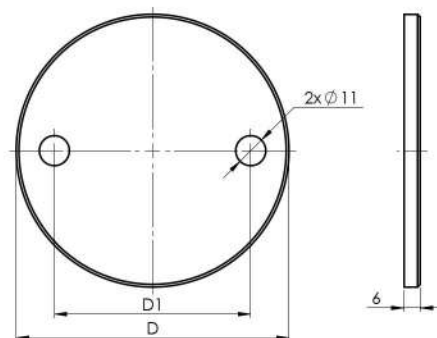
Quality	Finish	art.
AISI304	raw	A/0943-100x42



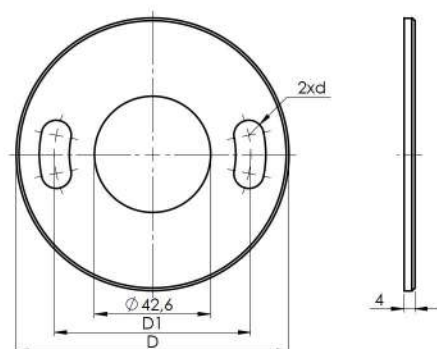
Quality	Finish	art.
AISI316	raw	A14/0949-042-N



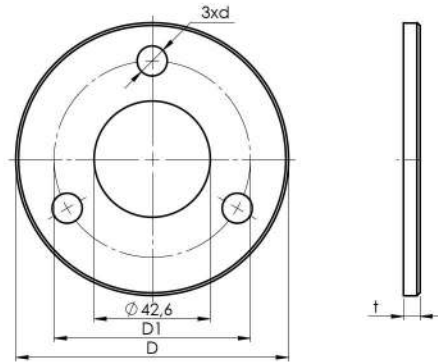
Quality	Finish	art.	D	d	D1	t
AISI304	raw	A/0948-042	100	11	75	6
		A/1951-85x42x4-N	85	9	68	4
		A/1951-100x42x4-N	100	11	72	



Quality	Finish	art.	D	D1
AISI304	satin	A/1950-100	100	72
		A/1950-120	120	87

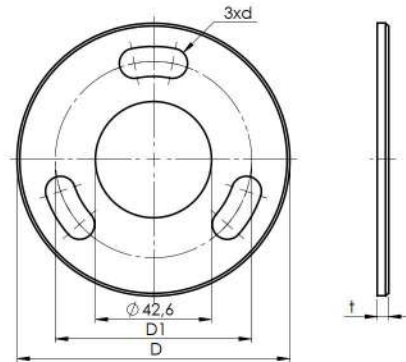


Quality	Finish	art.	D	d	D1
AISI304	raw	A/1952-85x42x4-N	85	9x20	68

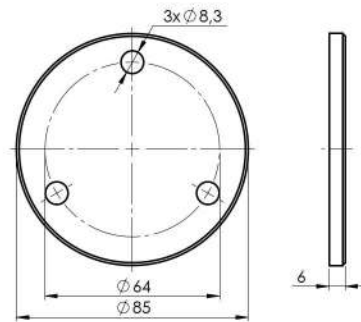


Quality	Finish	art.	D	d	D1	t
AISI304	satin	A6/85x42x6-S	85	8,5	65	6
		A6/100x42x6-B	100	11	70	
		A6/100x42x6-S			73	
		A6/120x42x6-S	120	80	4	
		A6/85x42x4-N	85	9		68
A6/100x42x4-N	100	11	72			
AISI316		A14/100x42x6-S	100	11	71	6

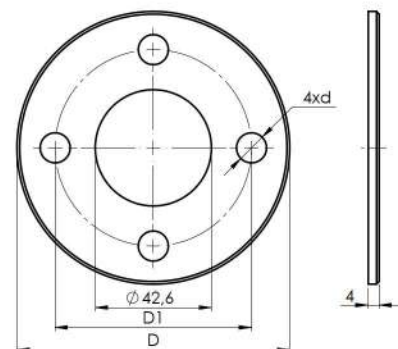
top



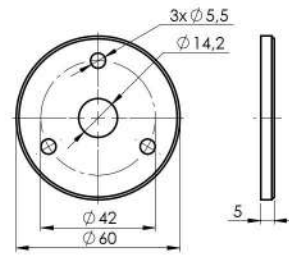
Quality	Finish	art.	D	d	D1	t
AISI304	raw	A/0946-85x4-N	85	9x20	68	4
		A/0946-100x4-N	100	11x25	72	
		A/0946-042-N			77	6



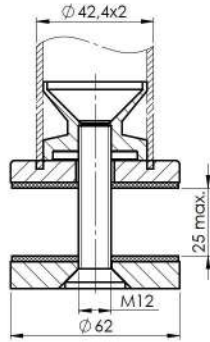
Quality	Finish	art.
AISI304	satin	A6/85x00x6-S



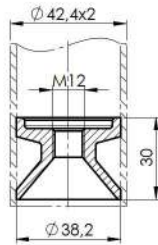
Quality	Finish	art.	D	d	D1
AISI304	satin	A/1954-100x42x4-N	100	11	72



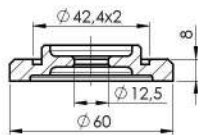
Quality	Finish	art.
AISI304	satın	A/0112-LED-PLATE



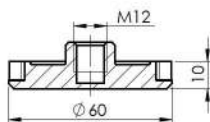
Quality	Finish	art.
AISI304	satin	A6/42-62



Quality	Finish	art.
AISI304	satin	A/3501-042

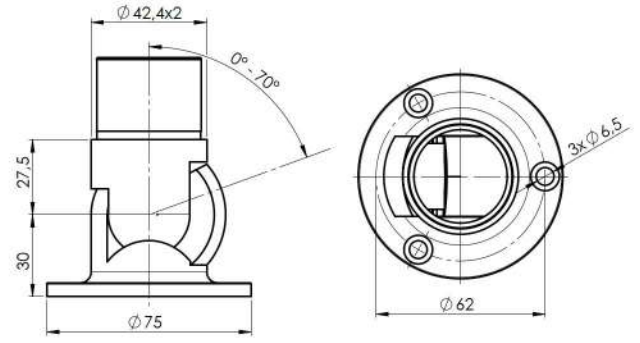


Quality	Finish	art.
AISI304	satin	A/0501-042

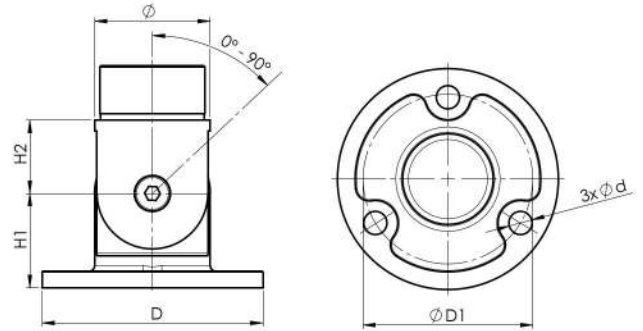


Quality	Finish	art.
AISI304	satin	A/0731-060

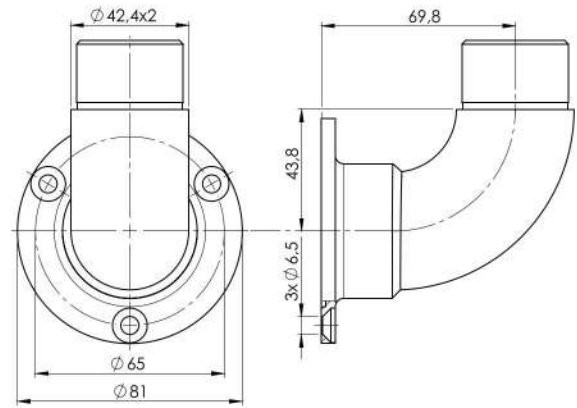




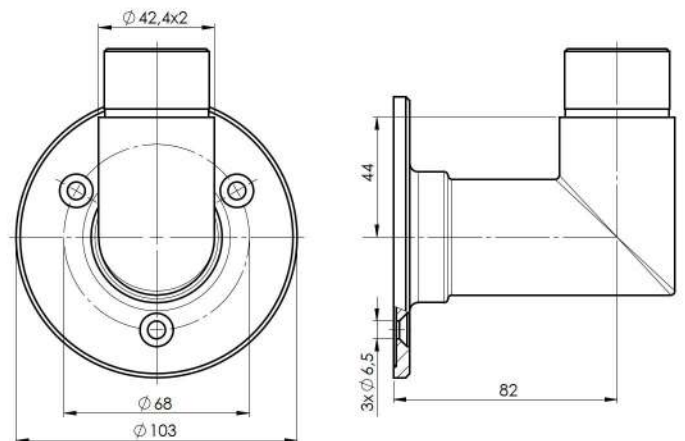
Quality	Finish	art.
AISI304	satin	A/0506-242
		A/0506-242-B



Quality	Finish	\varnothing	art.	D	H1	H2	d
AISI304	satin	33,7x2	A/0945-233	71	30	21	6,5
			A/0945-242-B	81	35	27	8,5
AISI316		42,4x2	A14/0945-242-B	80	38		9
			A14/0945-242-C				



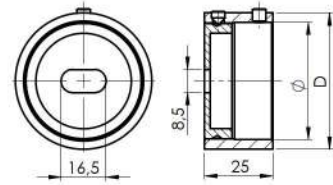
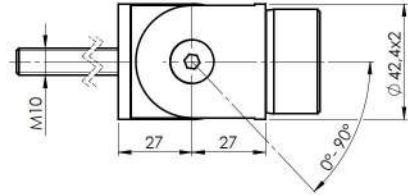
Quality	Finish	art.
AISI304	satin	A/0507-242
AISI316		A14/0507-242



Quality	Finish	art.
AISI304	satin	A/0509-242

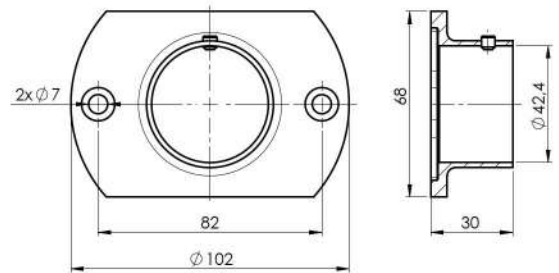


Quality	Finish	art.
AISI304	satin	A/0315-242

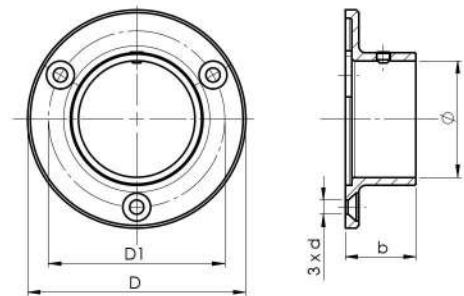


Quality	Finish	∅	art.	D
AISI304	satin	33,7	A/0504-233	42
		42,4	A/0504-242	50
		48,3	A/0504-248	55
	polish	42,4	A/0504-242-L	50
AISI316	satin	33,7	A14/0504-233	42
		42,4	A14/0504-242	50

top

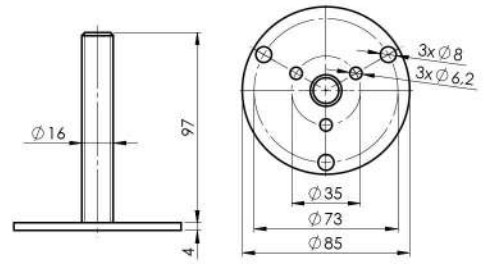


Quality	Finish	art.
AISI304	satin	A/0503-042

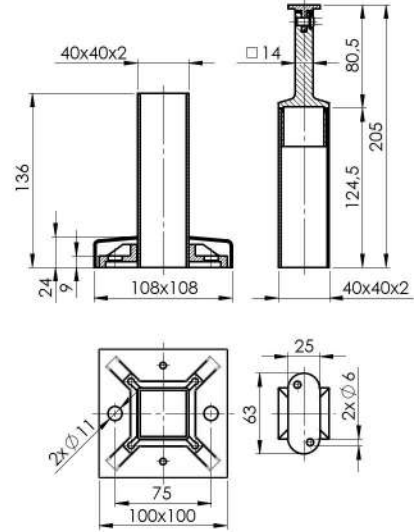


Quality	Finish	∅	art.	D	b	d
AISI304	satin	33,7	A/0505-033	85	30	5
			A/0505-033-B (WELD)			
		42,4	A/0505-042	95		
	polish	48,3	A/0505-042-B	80	25	5,5
			A/0505-048	100	30	6,5
AISI316	satin	42,4	A/0505-042-L	95	30	5
			A/0505-048-B-L	100	25	
		48,3	A14/0505-042	80	30	5
	polish	48,3	A14/0505-042-B	80	25	
			A14/0505-048	100	28	5,5
	42,4	A14/0505-042-B-L	85	25	6,5	
	48,3	A14/0505-048-L	100	28	5,5	

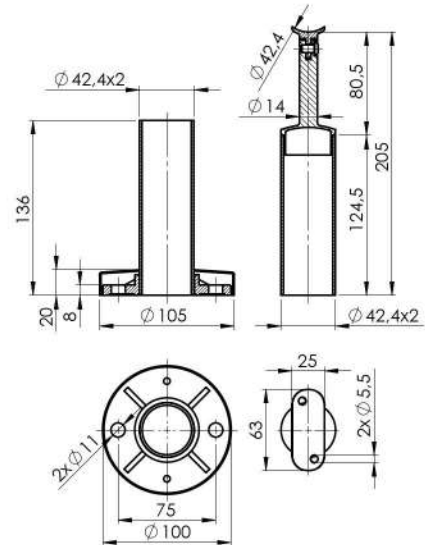
top



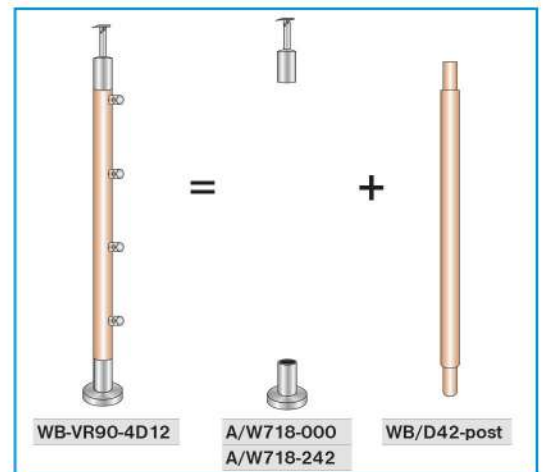
Quality	Finish	art.
Fe	Zinc	A6/80x5-M16

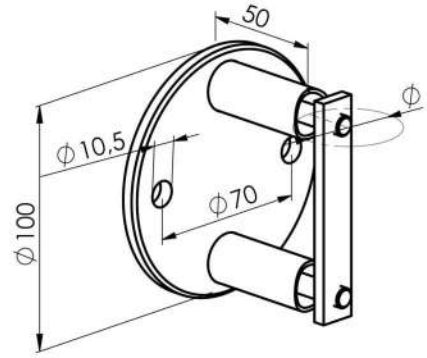


Quality	Finish	art.
AISI304	satın	A/W718-000



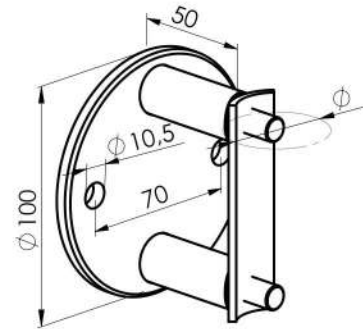
Quality	Finish	art.
AISI304	satın	A/W718-242



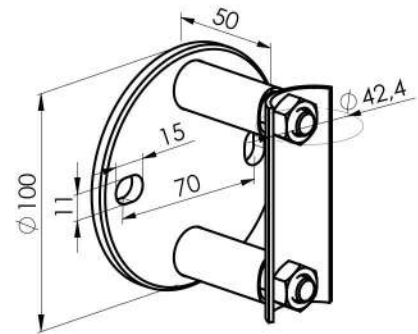


Quality	Finish	∅	art.
AISI304	satin	33,7	A6/021-033
		42,4	A6/021-6-A
		48,3	A6/021-048
AISI316	satin	42,4	A14/021-6-A

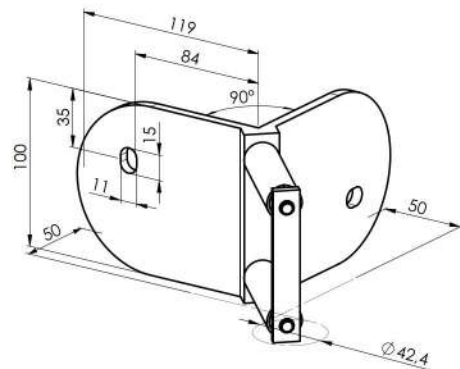
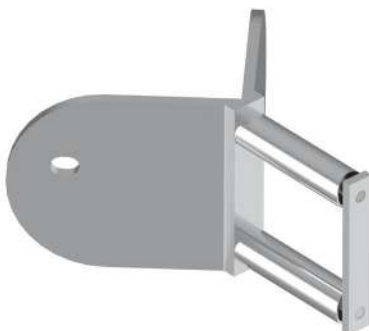
top



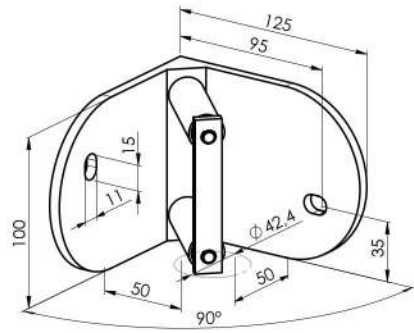
Quality	Finish	∅	art.
AISI304	satin	42,4	A6/021-6-A/B



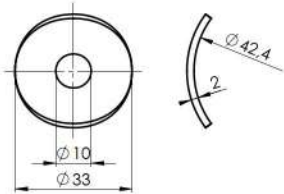
Quality	Finish	art.
AISI304	satin	A6/021-6-A/C



Quality	Finish	art.
AISI316	satin	A14/024-OUT-B



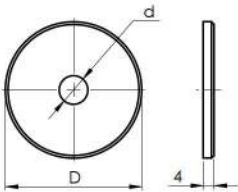
Quality	Finish	art.
AISI316	satin	A14/024-IN-B



Quality	Finish	art.
AISI304	satin	A/1732-033-R25

A6/48 A6/021-6-A A-DIN 7991-A2 M8x110 A-DIN 1587-A2 M8

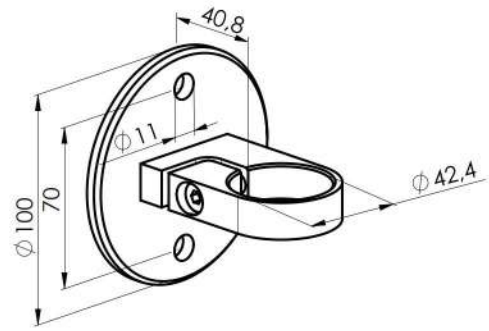
A/1732-033-R25



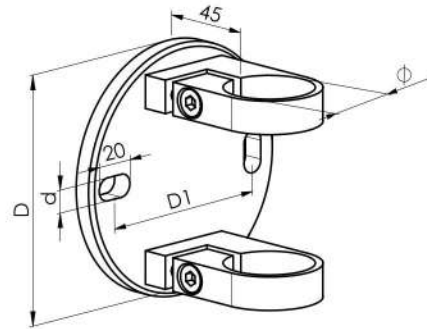
Quality	Finish	D	art.	d
AISI304	satin	33	A/1732-033-12	12,5
		40	A/1732-040-12	
		50	A/1732-050-10	

A6/005-4W A6/005-4 A-DIN 7991-A2 M8x110 A-DIN 1587-A2 M8

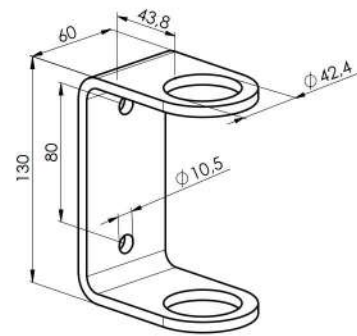
A/1732-033-12



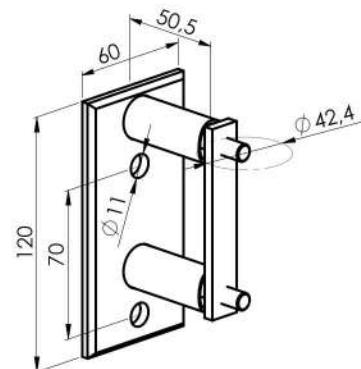
Quality	Finish	art.
AISI304	satin	A6/42



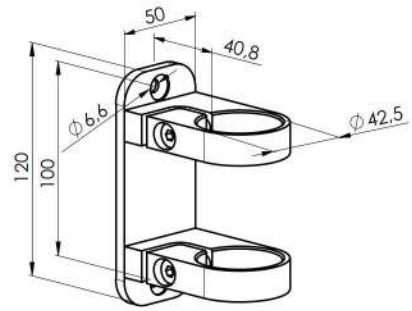
Quality	Finish	∅	art.	D	d
AISI304	satin	42,4	A6/2x42	120	11
		42,4	A14/2x42		
AISI316	satin	48,3	A14/2x42-150	150	13
		48,3	A14/2x48-150		



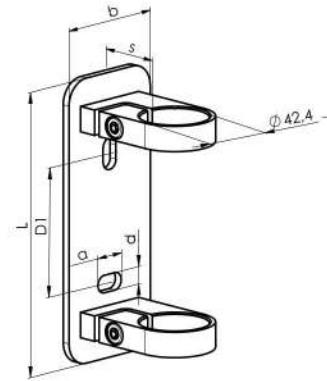
Quality	Finish	art.
AISI304	satin	A6/42-130x60



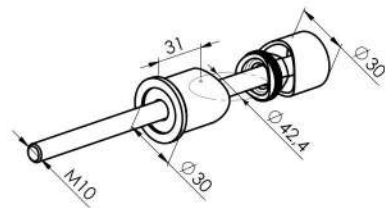
Quality	Finish	art.
AISI304	satin	A6/004-6
	polish	A6/004-6-L



Quality	Finish	art.
AISI304	satin	A6/42-120x50

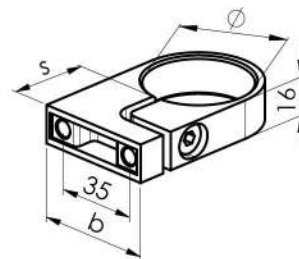


Quality	Finish	art.	L x b	s	d x a	D1
AISI304	satin	A6/42-180x70	180x70	40	11x20	81,5
		A6/42-180x70-B		35		
AISI316		A14/42-135x54	135x54	36	11x13	70

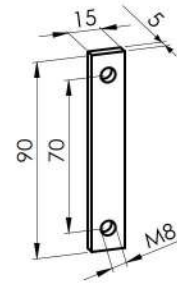


Quality	Finish	art.
AISI304	satin	A6/42-20-B

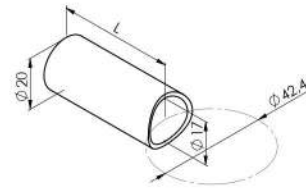
top



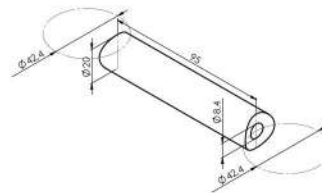
Quality	Finish	ϕ	art.	H	s	b
AISI304	satin	33,7	A/3507-033	16	36	46
		42,4	A/3507-042		35	50
AISI316		48,3	A14/3507-048			55



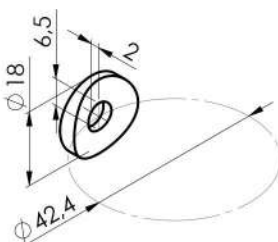
Quality	Finish	art.
AISI316	satin	A14/021-6-plate



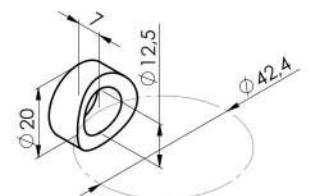
Quality	Finish	art.	L
AISI304	satin	A/012-45	45
AISI316		A/012-120	120
		A14/012-45	45



Quality	Finish	art.
AISI304	satin	A/012-95



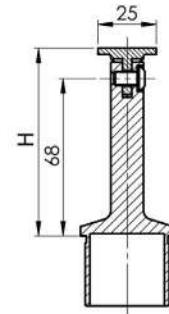
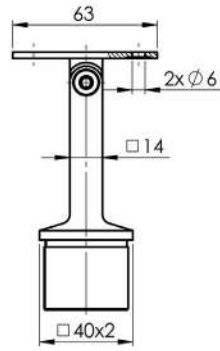
Quality	Finish	art.
AISI316	satin	A14/012-02



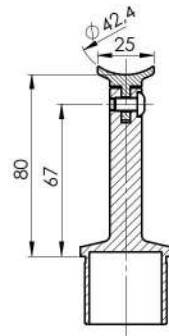
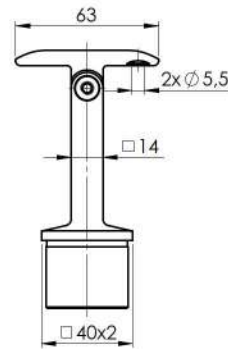
Quality	Finish	art.
AISI304	satin	A/012-07

4.9 SQUARE SYSTEM



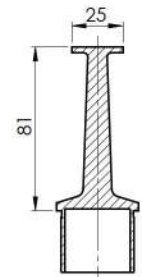
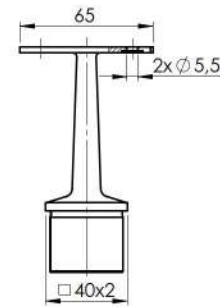


Quality	Finish	art.	H
AISI304	satin	A/4718-000	81
AISI316	satin	A/4718-000-B	80,5
AISI316	satin	A14/4718-000	81

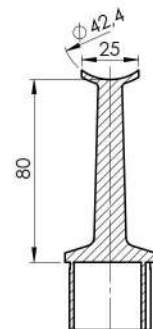
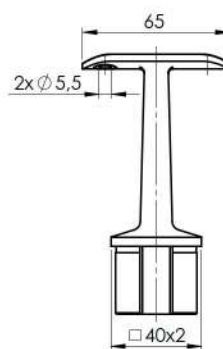


Quality	Finish	art.
AISI304	satin	A/4718-042
AISI316	satin	A14/4718-042

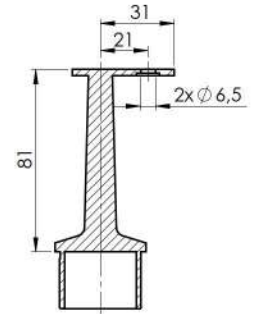
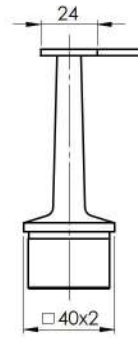
top



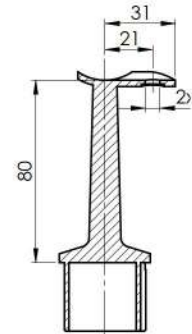
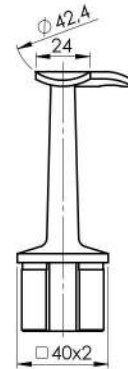
Quality	Finish	art.
AISI316	satin	A14/4710-000



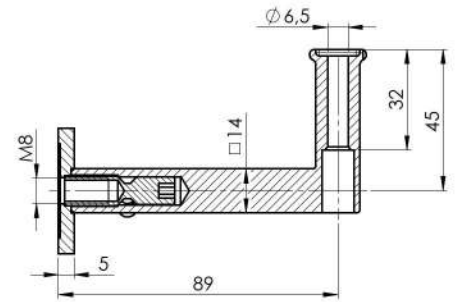
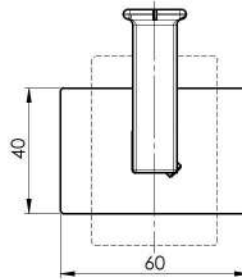
Quality	Finish	art.
AISI316	satin	A14/4710-042



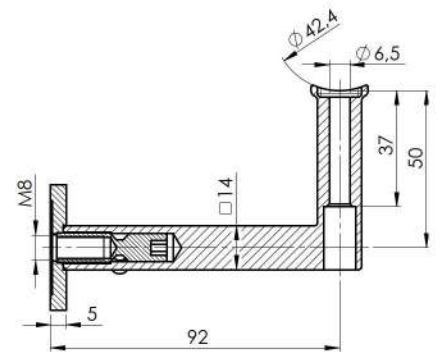
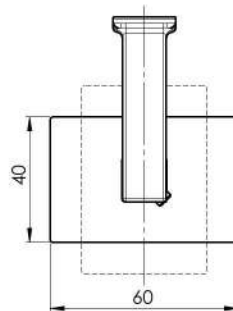
Quality	Finish	art.
AISI304		A/4710-800
AISI316	satín	A14/4710-800



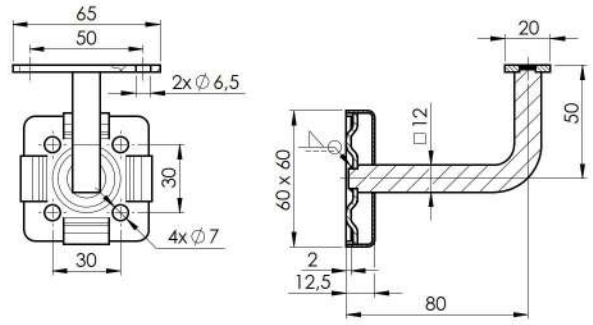
Quality	Finish	art.
AISI304		A/4710-842
AISI316	satín	A14/4710-842



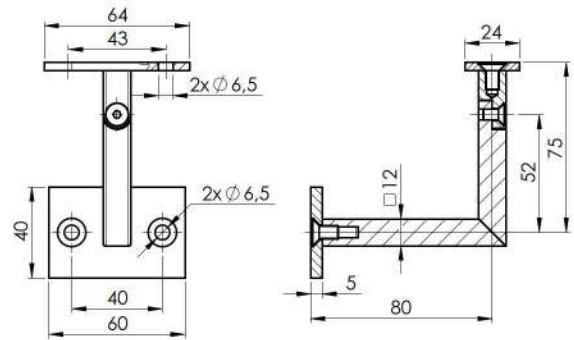
Quality	Finish	art.
AISI304	satín	A/4111-000



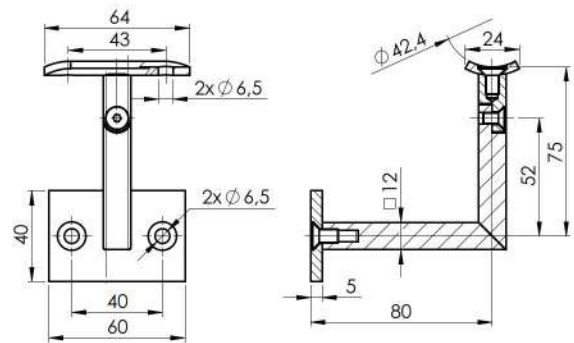
Quality	Finish	art.
AISI304	satín	A/4111-042



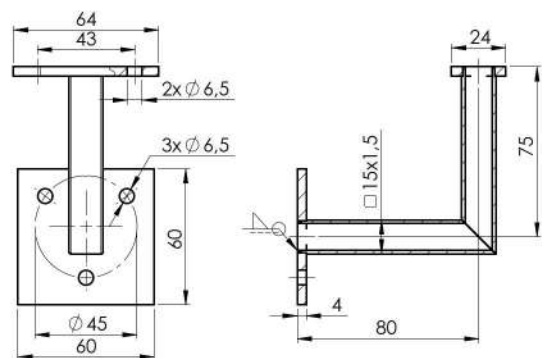
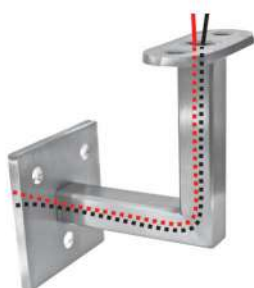
Quality	Finish	art.
AISI304	satin	A/4110-000



Quality	Finish	art.
AISI304	satin	A/4145-000-B

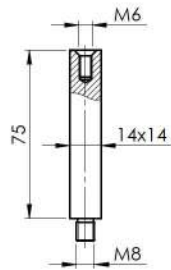


Quality	Finish	art.
AISI304	satin	A/4145-042

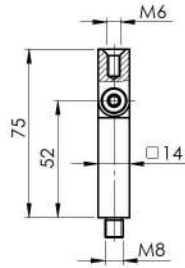


Quality	Finish	art.
AISI304	satin	A/4111-000-LED

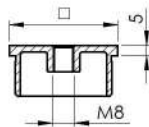




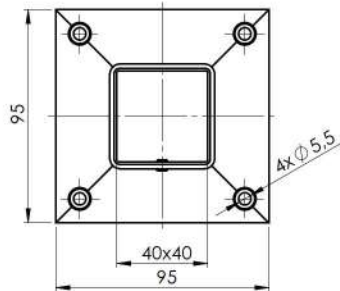
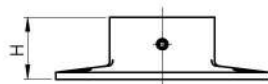
Quality	Finish	art.
AISI304	satin	A/4811-040



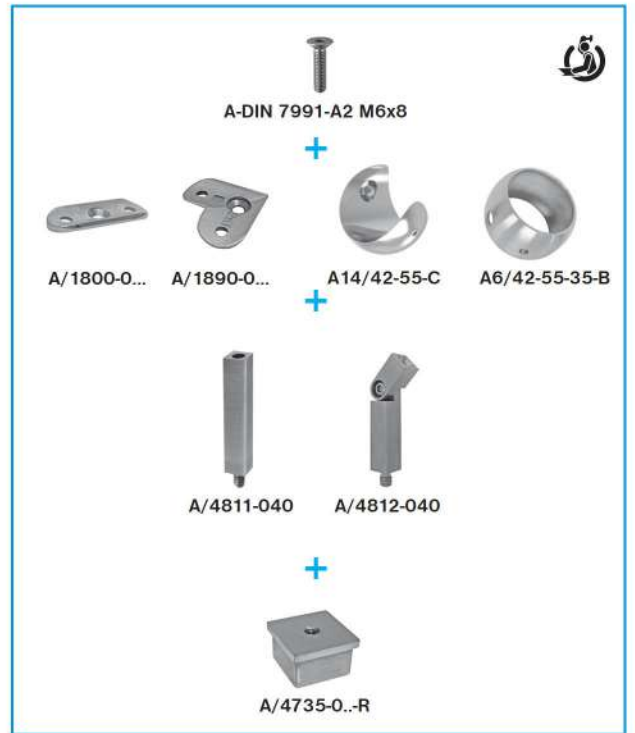
Quality	Finish	art.
AISI304	satin	A/4812-040



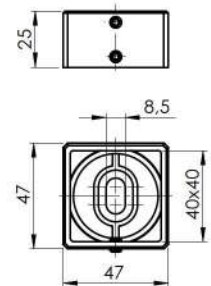
Quality	Finish	art.	□
AISI304	satin	A/4735-030-R	30x30x2
		A/4735-040-R	40x40x2
		A/4735-041-R	40x40x3
		A/4735-050-R	50x50x2
A/4735-060-R	60x60x2		
AISI316		A14/4735-040-R	40x40x2

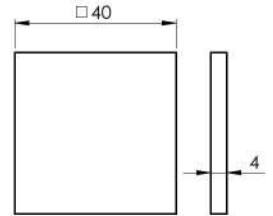
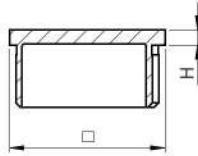


Quality	Finish	art.	H
AISI304	satin	A/4505-040	28
AISI316		A14/4505-040-B	23



Quality	Finish	art.
AISI304	satin	A/4504-040

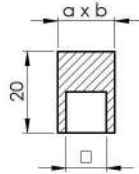




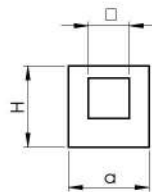
Quality	Finish	art.	□	H
AISI304	satin	A/4732-030	30x30x2	5
		A/4732-040	40x40x2	
		A/4732-041	40x40x3	
		A/4732-050	50x50x2	
		A/4732-060	60x60x2	
AISI316		A14/4732-040	40x40x2	4

top

Quality	Finish	art.
AISI304	satin	A/1734-040
	raw	A/1734-040-N



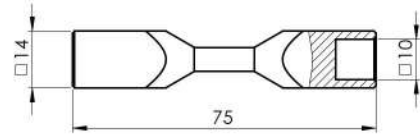
Quality	Finish	art.	□	axb
AISI304	satin	A10/4023-012	10x10	14x14
		A10/4023-12x12	12x12	16x16



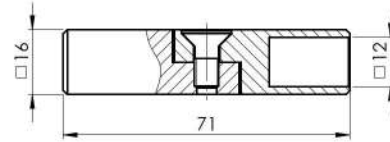
Quality	Finish	art.	□	a x b	H	↺	↻
AISI304	satin	A/4810-000	10x10	20 x 16	20	left	right
		A/4810-000-C	12x10				
		A/4830-000	12x12	23 x 16			
		A/4821-000	15x5				
		A/4822-000	15x5	25 x 25			
		A/4823-000	15x5				



Quality	Finish	art.
AISI304	satın	A/4010-012

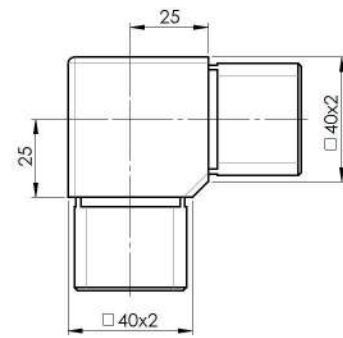


Quality	Finish	art.
AISI304	satın	A/4012-012

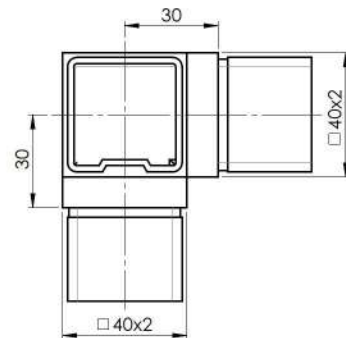


Quality	Finish	art.
AISI304	satın	A/4301-040
AISI316		A14/4301-040

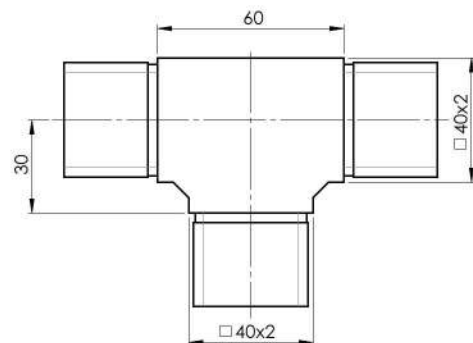
top



Quality	Finish	art.
AISI304	satın	A/4304-040
AISI316		A14/4304-040

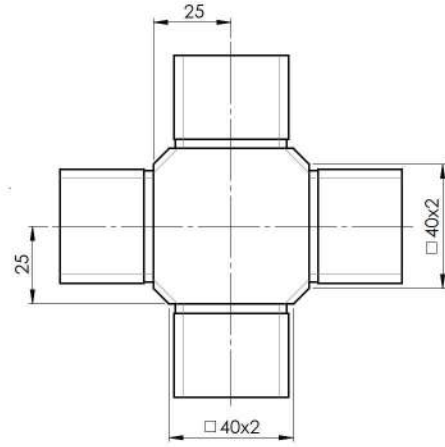


Quality	Finish	art.
AISI304	satın	A/4307-040
AISI316		A14/4307-040

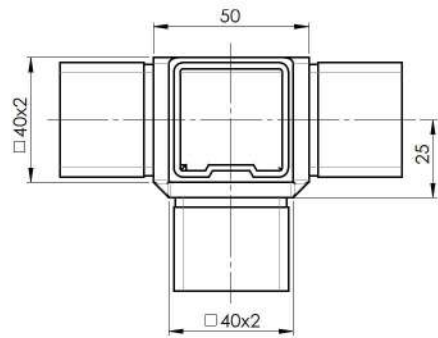




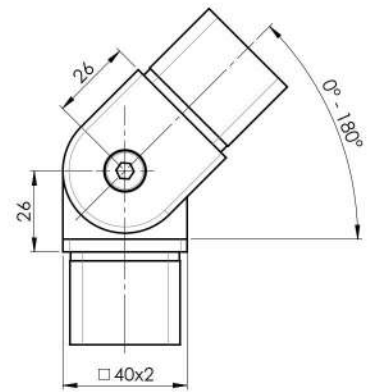
Quality	Finish	art.
AISI316	satin	A14/4308-040



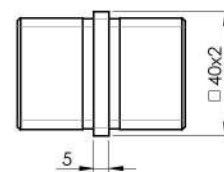
Quality	Finish	art.
AISI316	satin	A14/4309-040

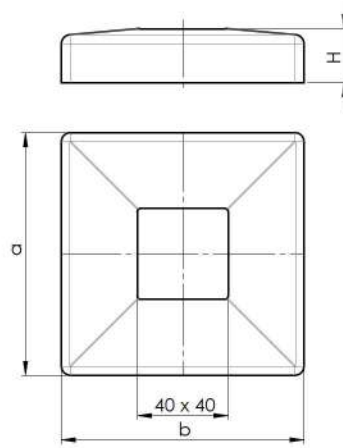


Quality	Finish	art.
AISI304	satin	A/4302-040
AISI316		A14/4302-040



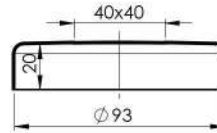
Quality	Finish	art.
AISI304	satin	A/4790-040
AISI316		A14/4790-040



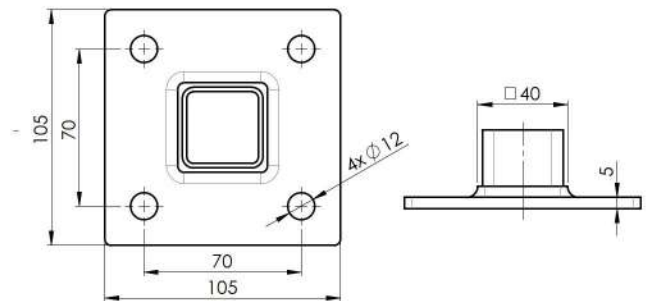


Quality	Finish	art.	axb	H
AISI304	satin	A/4511-9340	93x93	25
		A/4511-9640	96x96	20
		A/4511-040	108x108	24
AISI316		A14/4511-040		

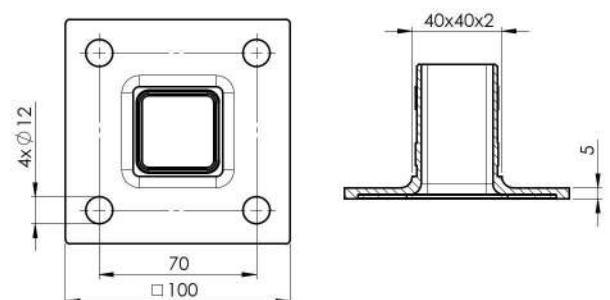
top



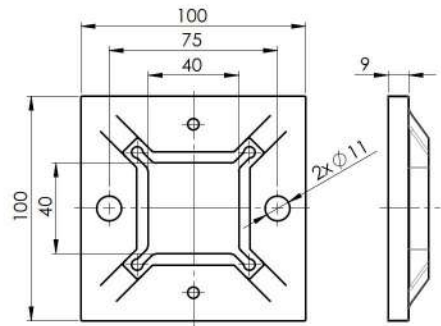
Quality	Finish	art.
AISI304	satin	A/4513-9340



Quality	Finish	art.
AISI304	satin	A/4942-040
	raw	A/4942-040-N

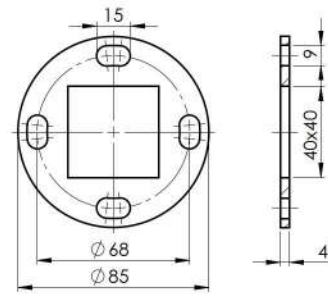


Quality	Finish	art.
AISI304	satin	A/4941-040

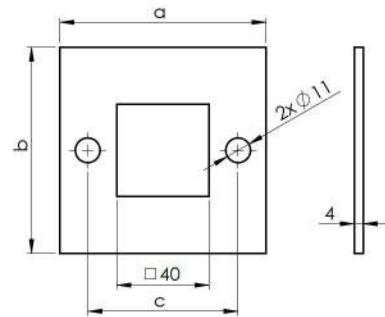


Quality	Finish	art.
AISI304	raw	A/4940-040
AISI316		A14/4940-040

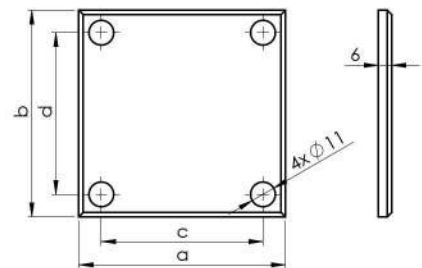
top



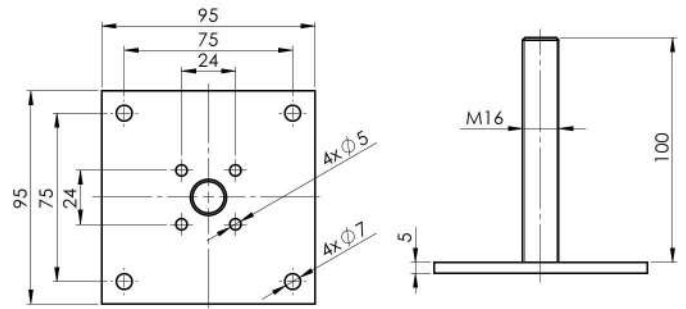
Quality	Finish	art.
AISI304	satin	A/1983-85



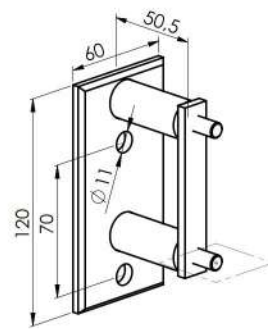
Quality	Finish	art.	axb	c
AISI304	raw	A/1981-088x40x4-N	88x88	65
		A/1981-092x40x4-N	92x92	67
		A/1981-100x40x4-N	100x100	70



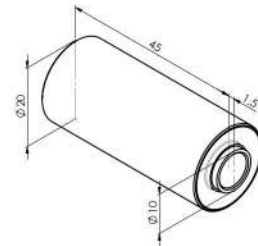
Quality	Finish	art.	a x b	c x d
AISI304	satin	A/1980-092	92x92	72x72
		A/1980-100	100x100	80x80



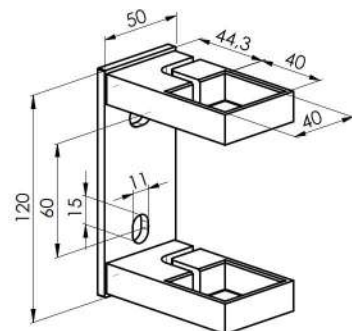
Quality	Finish	art.
Fe	Zinc	A6/95x95x5-M16



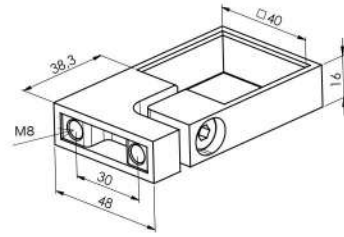
Quality	Finish	art.
AISI304	satin	A6/005-4
AISI316		A14/005-4



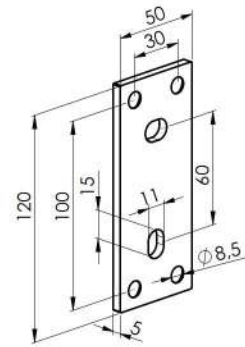
Quality	Finish	art.
AISI304	satin	A6/005-4-distanc



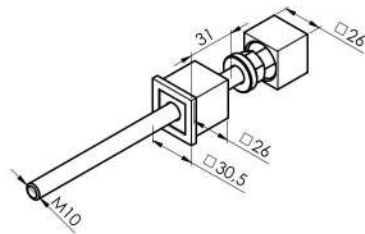
Quality	Finish	art.
AISI304	satin	A6/40-120x50



Quality	Finish	art.
AISI304	satin	A/3507-040



Quality	Finish	art.
AISI304	satin	A6/40-120x50-plate



Quality	Finish	art.
AISI304	satin	A6/26x26-31

5 GLASS
SYSTEMS



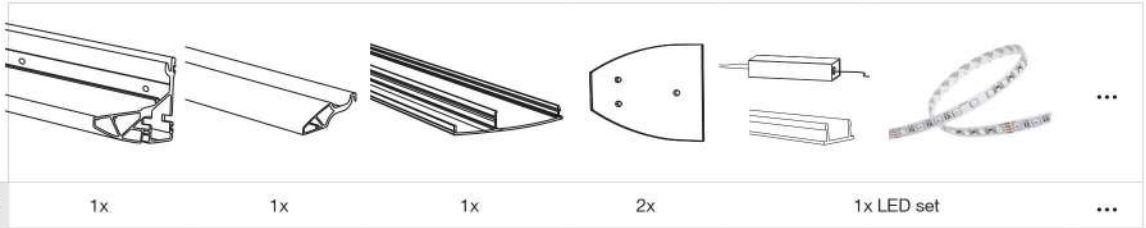


5.1 CANOPIES

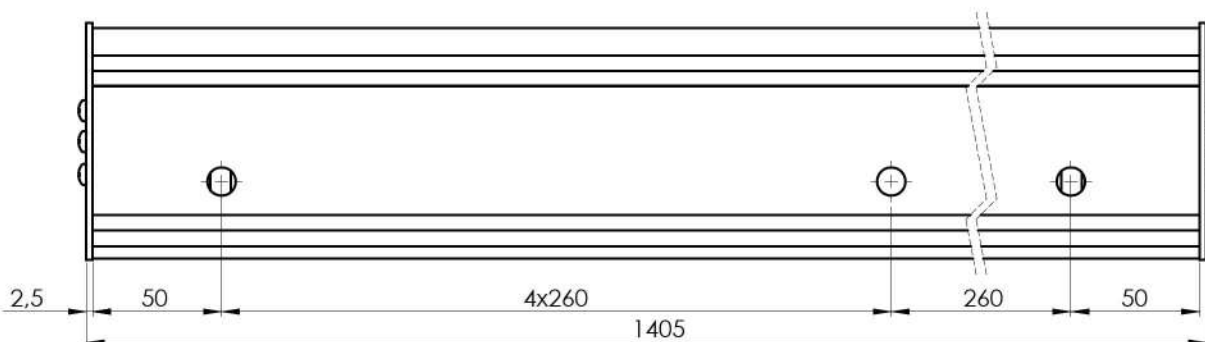
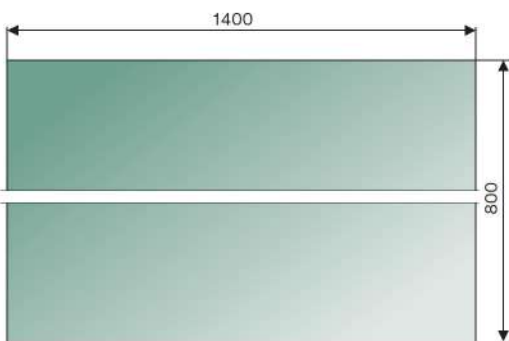
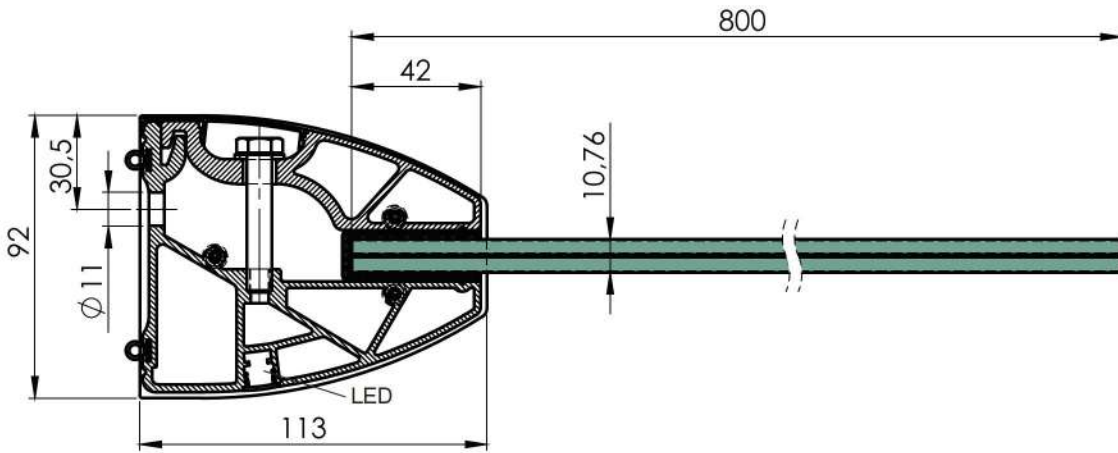




Quality	Finish	Effect	art.	glass t	G max. (kN)	
ALUMINIUM	antracit	RAL	AL/PR1-S-EB-1400	10,76	1,0	✓



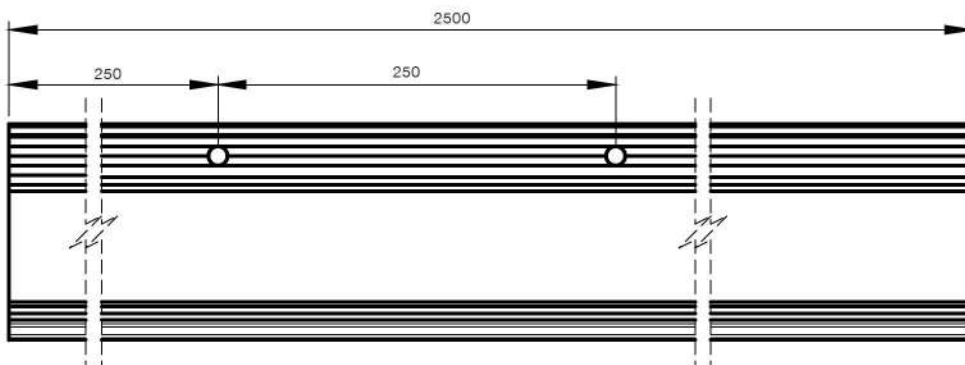
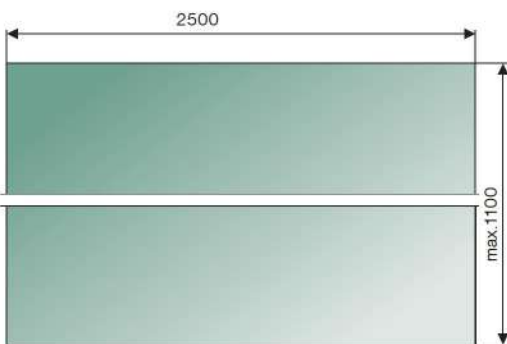
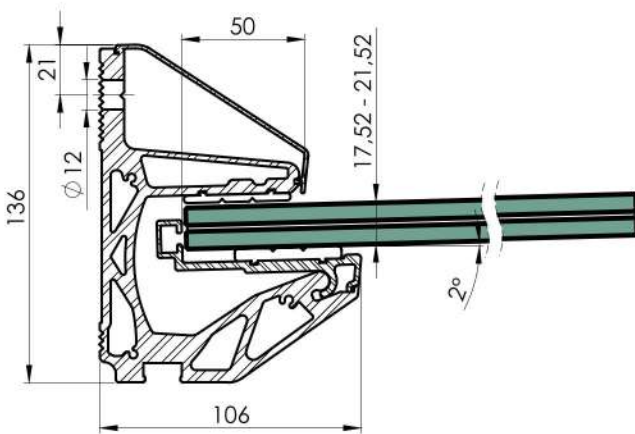
AL/PR1-S-EB-1400	1x	1x	1x	2x	1x LED set	...
------------------	----	----	----	----	------------	-----





Quality	Finish	Effect	art.	glass t	G max. (kN)	
ALUMINIUM	natural	ELOX	AL/PR2-N-E-2500	17,52	1,5	✓

CERTIFICATED: Glass TVG/VSG

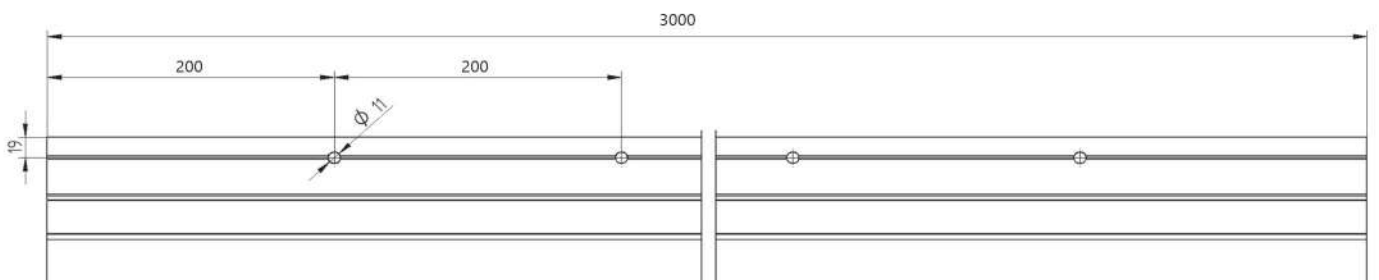
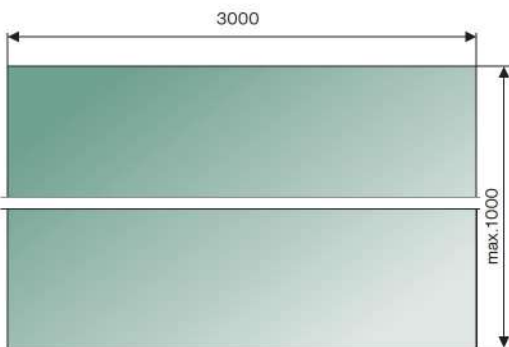
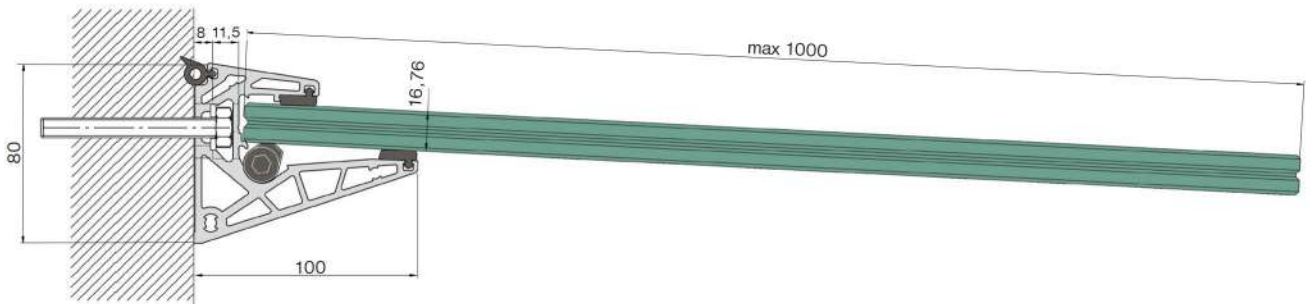




Quality	Finish	Effect	art.	glass t	G max. (kN)	
ALUMINIUM	natural	ELOX	AL/PR3-N-E-3000	16,76 17,52	2,0	✓

CERTIFICATED: Glass TVG/VSG

					...
AL/PR3-N-E-3000	1x	1x	2x	1x	2x
				AL/PR3-KIT	...



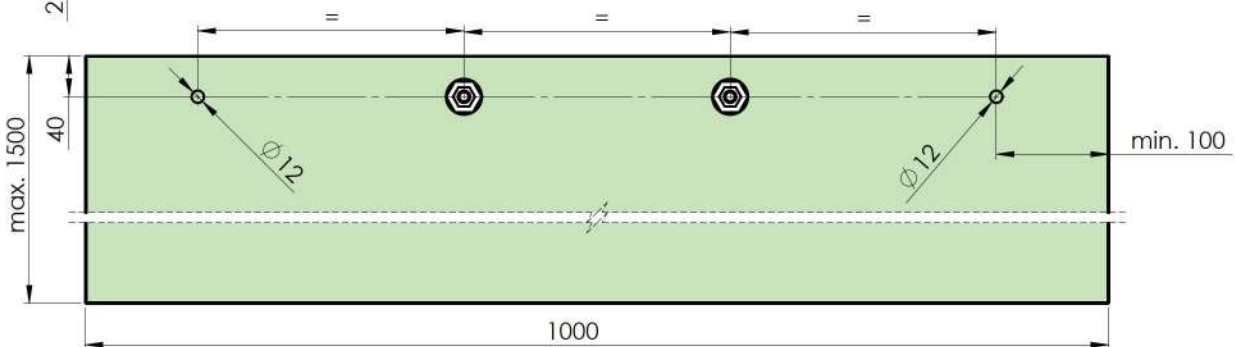
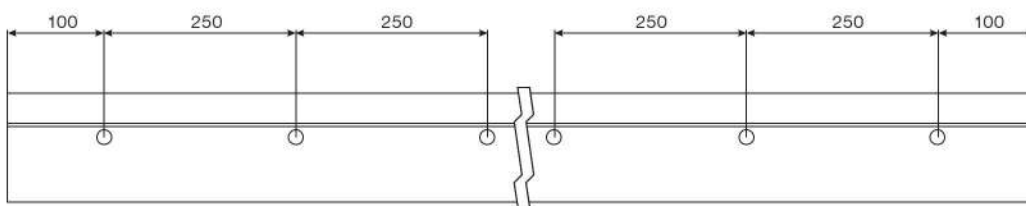
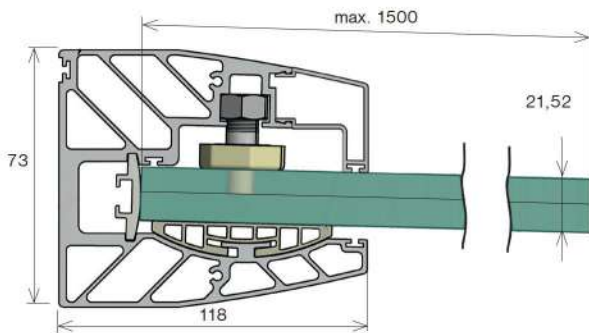


Quality	Finish	Effect	art.	glass t	G max. (kN)	
ALUMINIUM	natural	ELOX	AL/PR4-N-E-3000	21,52	1,5	✓
			AL/PR4-N-E-6000			

CERTIFICATED: Glass TVG/VSG



AL/PR4-N-E-3000	3m	3m	2x3m	7x	3m	12x	...
AL/PR4-N-E-6000	6m	6m	2x6m	14x	6m	24x	...



STATIC STUDIO



Quality	Finish	art.	h	L	A14/PR70x40-M12	A14/PR70x40-60	A14/PR-60-M12		
AISI316	satin	GS14/PR-R3-M12-set-1400	800-930	1400	2x	2x	2x	2 x	GS/12,76-140x100-clear
		GS14/PR-R3-M12-set-1400-M						-1000-M12	GS/12,76-140x100-milk
		GS14/PR-R3-M12-set-1800	920-1080	1800	2x	2x	2x	2 x	GS/12,76-180x120-clear
		GS14/PR-R3-M12-set-1800-M						-1250-M12	GS/12,76-180x120-milk
		GS14/PR-R3-M12-set-2400	2400	2400	3x	3x	3x	3 x	GS/12,76-240x120-clear
		GS14/PR-R3-M12-set-2400-M						-1250-M12	GS/12,76-240x120-milk

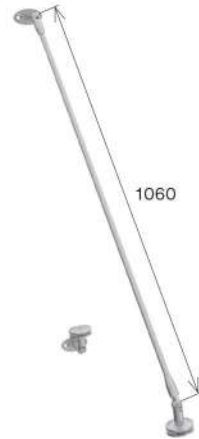
top

5.1

CANOPIES



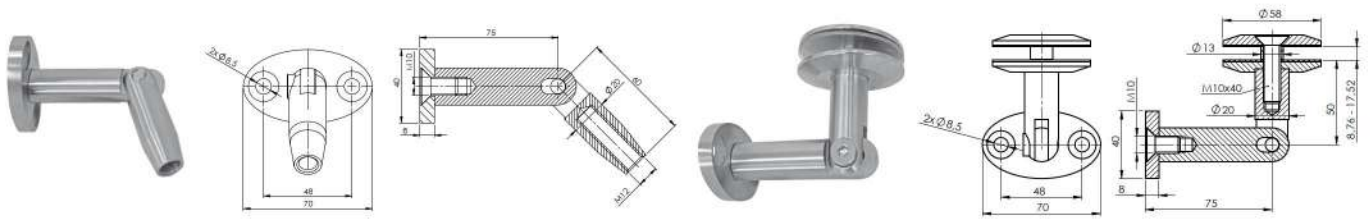
GS14/PR-R3-M12-set



GS14/PR-R3-M12

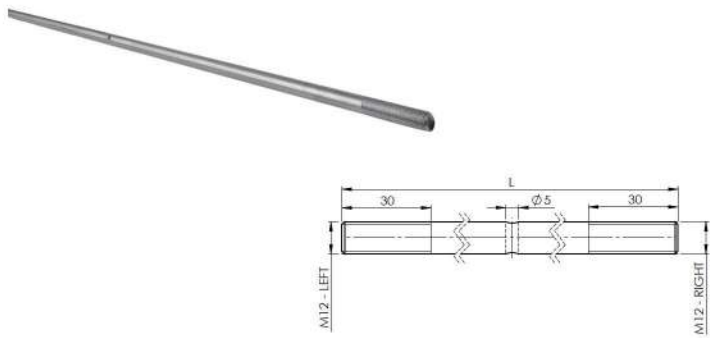
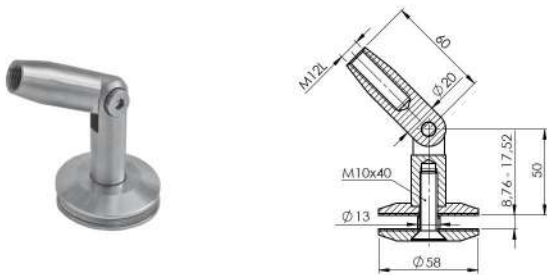


Quality	Finish	art.	A14/PR70x40-M12	A14/PR70x40-60	A14/PR-60-M12	A14/PR12-1000-M12
AISI316	satin	GS14/PR-R3-M12-set	2x	2x	2x	2x



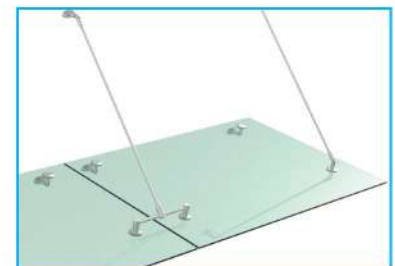
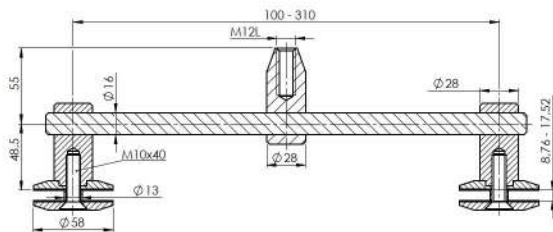
Quality	Finish	art.
AISI316	satin	A14/PR70x40-M12

Quality	Finish	art.
AISI316	satin	A14/PR70x40-60

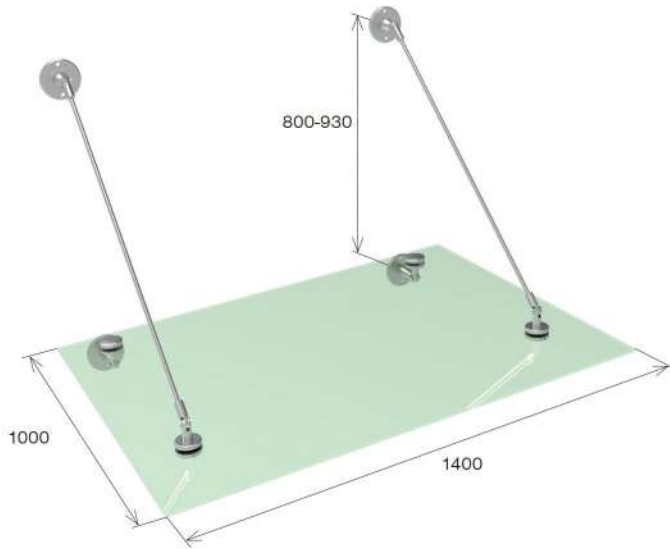


Quality	Finish	art.
AISI316	satin	A14/PR-60-M12

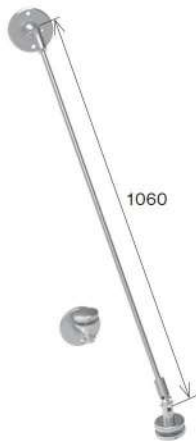
Quality	Finish	art.	L
AISI316	satin	A14/PR12-1000-M12	1000
		A14/PR12-1250-M12	1250
		A14/PR12-1500-M12	1500
		A14/PR12-2000-M12	2000



Quality	Finish	art.			
AISI316	satin	A14/PR-2x60-M12	A14/PR16-55x28-M10	A14/PR16-350	A14/PR16-71x28-M12
			2x	1x	1x



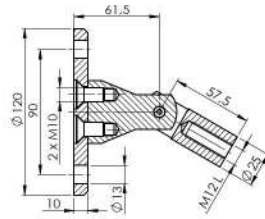
Quality	Finish	art.	A14/120-R	A14/120-70-R	A14/70-R	A14/PR12-1000-M12	GS/12,76-140x100-clear
AISI316	satın	GS14/PR-R-set/glass	2x	2x	2x	2x	1x



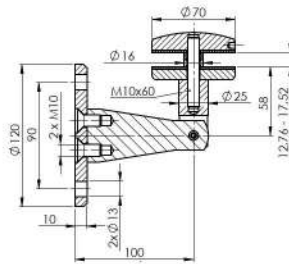
Quality	Finish	art.	A14/120-R	A14/120-70-R	A14/70-R	A14/PR12-1000-M12
AISI316	satın	GS14/PR-R-M12	1x	1x	1x	1x



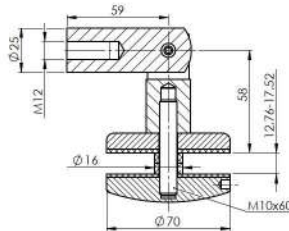
A14/120-R A14/120-R-B



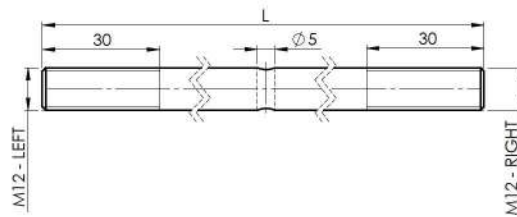
Quality	Finish	art.
AISI316	satin	A14/120-R
		A14/120-R-B



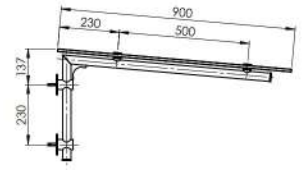
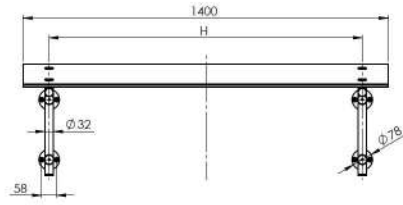
Quality	Finish	art.
AISI316	satin	A14/120-70-R



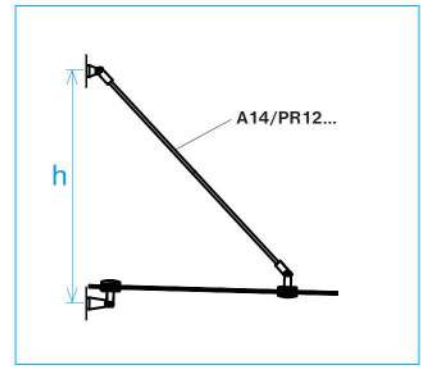
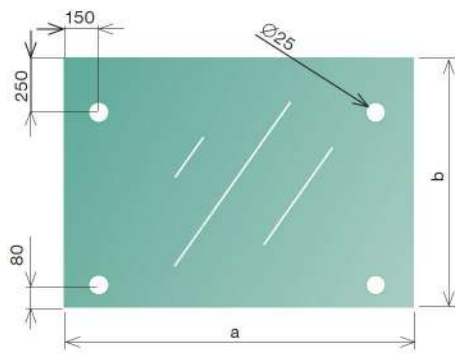
Quality	Finish	art.
AISI316	satin	A14/70-R



Quality	Finish	art.	L
AISI316	satin	A14/PR12-1000-M12	1000
		A14/PR12-1250-M12	1250
		A14/PR12-1500-M12	1500
		A14/PR12-2000-M12	2000

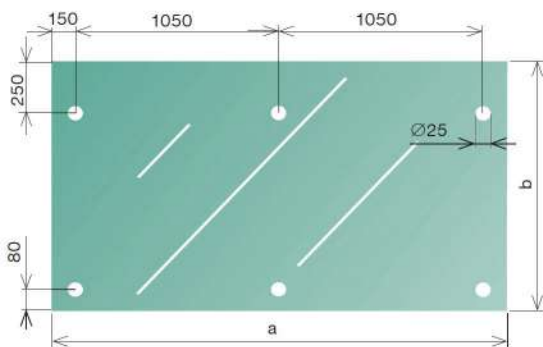


Quality	Finish	art.
AISI304	satın	GS/PR-825x405

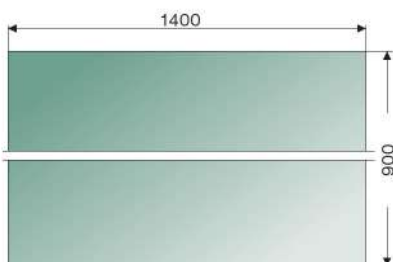


Quality	Color	art.	a	b	h	
VSG/ESG		GS/12,76-140x100-clear	1400	1000	800-930	2 x A14/PR12-1000-M12
		GS/12,76-140x100-milk				
		GS/12,76-180x120-clear	1800	1200	920-1080	
		GS/12,76-180x120-milk				

top



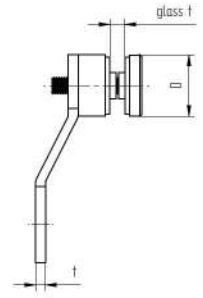
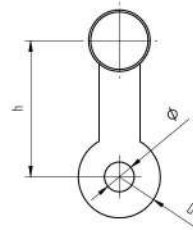
Quality	Color	art.	a	b	h	
VSG/ESG		GS/12,76-240x120-clear	2400	1200	920-1080	3 x A14/PR12-1250-M12
		GS/12,76-240x120-milk				



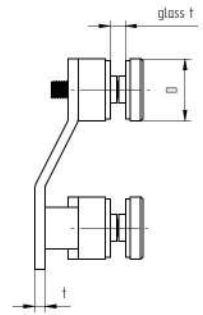
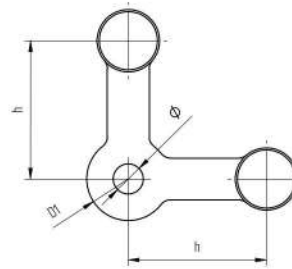
Quality	Color	art.
TVG		GS/10,89-140x90-TVG

5.2 SPIDERS

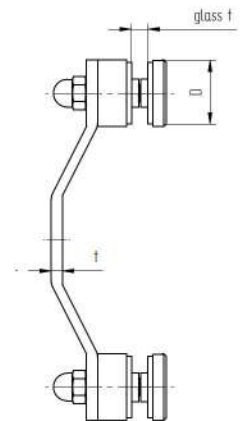
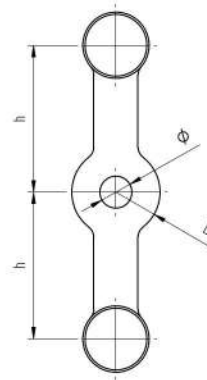




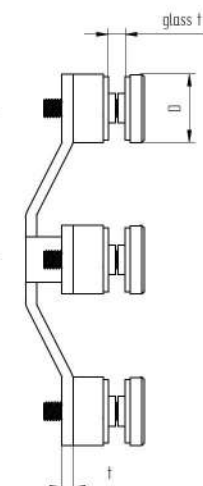
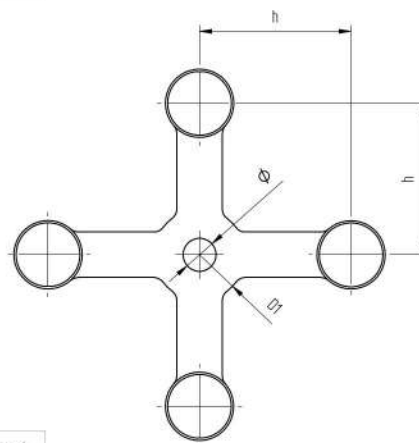
Quality	Finish	art.	h	Ø	D	D1	t	glass t
AISI304	satın	GS/ZP-101R-95	66,5	14,5	30	40	5	6-12,76



Quality	Finish	art.	h	Ø	D	D1	t	glass t
AISI304	satın	GS/ZP-102R-90-95	66,5	14,5	30	40	5	6-12,76



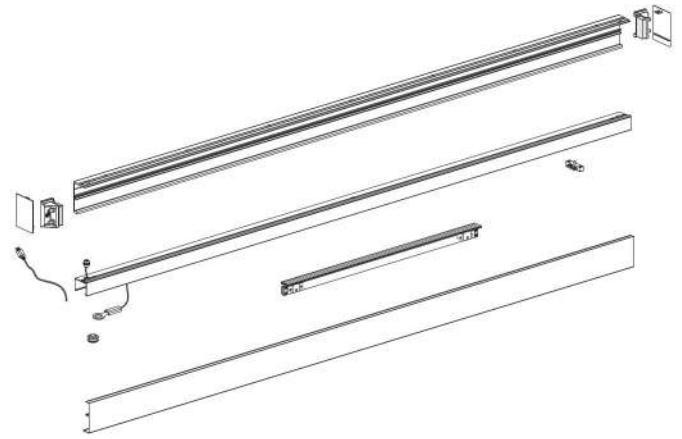
Quality	Finish	art.	h	Ø	D	D1	t	glass t
AISI304	satın	GS/ZP-102R-180-95	66,5	14,5	30	40	5	6-12,76



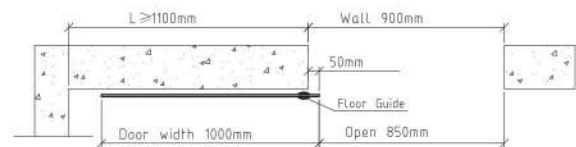
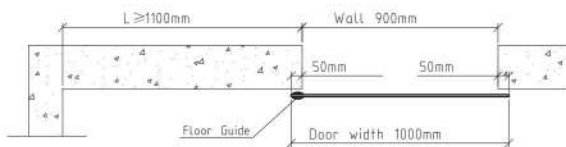
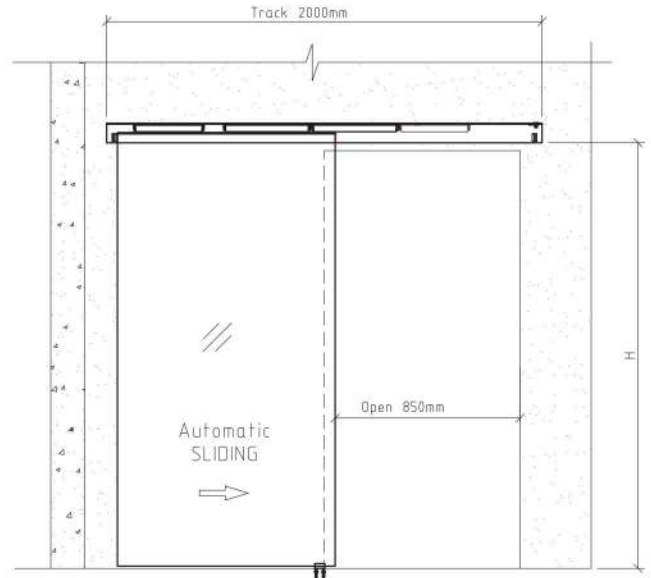
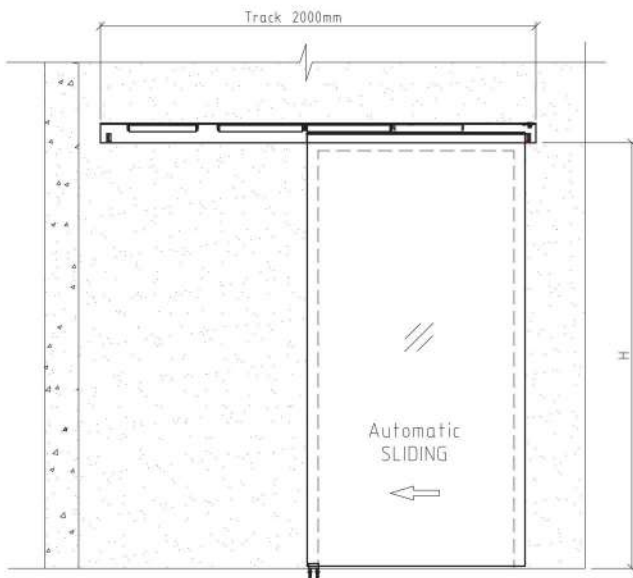
Quality	Finish	art.	h	Ø	D	D1	t	glass t
AISI304	satın	GS/ZP-104R-95	66,5	14,5	30	40	5	6-12,76

5.3 SLIDING DOORS PROFILE SYSTEM





Quality	Finish	Effect	art.	glass/panel max. (kg)	Supply voltage	Voltage (V) / (A)	Power (W)	Opening / closing	Thrust force (N)	Glass panel
ALUMINIUM	natural	ELOX	GS-AL/ZP-95x50-N-E-MOVE	25-80	110-230 VAC	24 / 5	120	EN 16005	75	1000

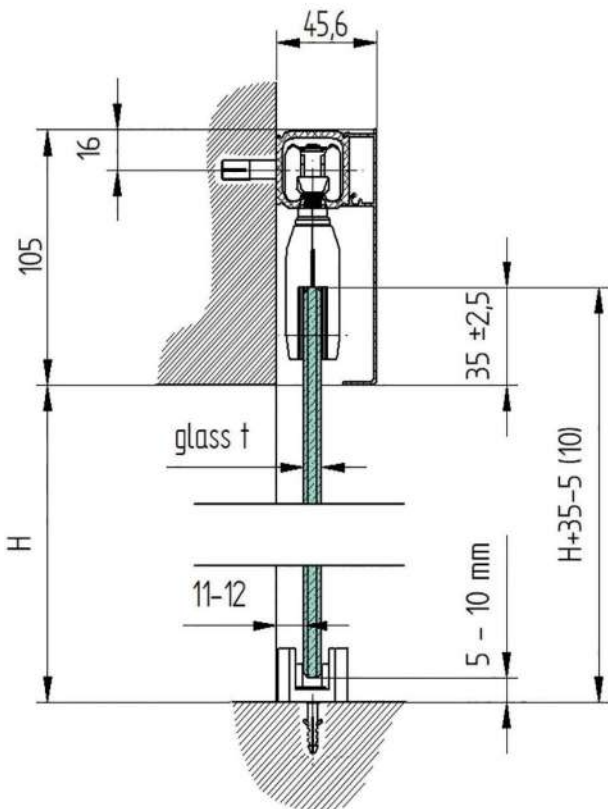




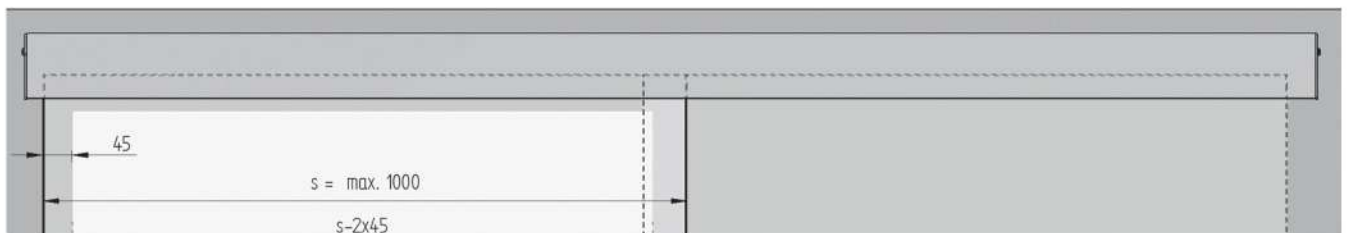
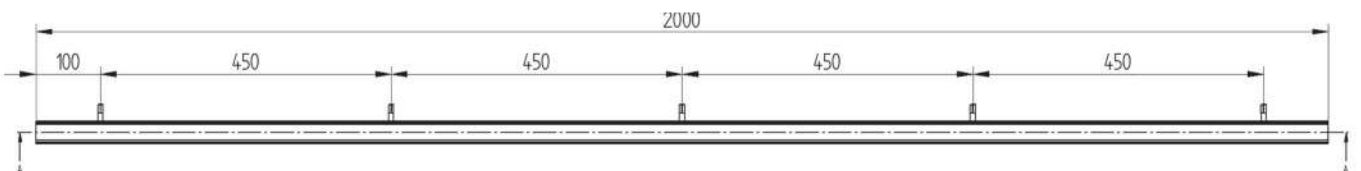
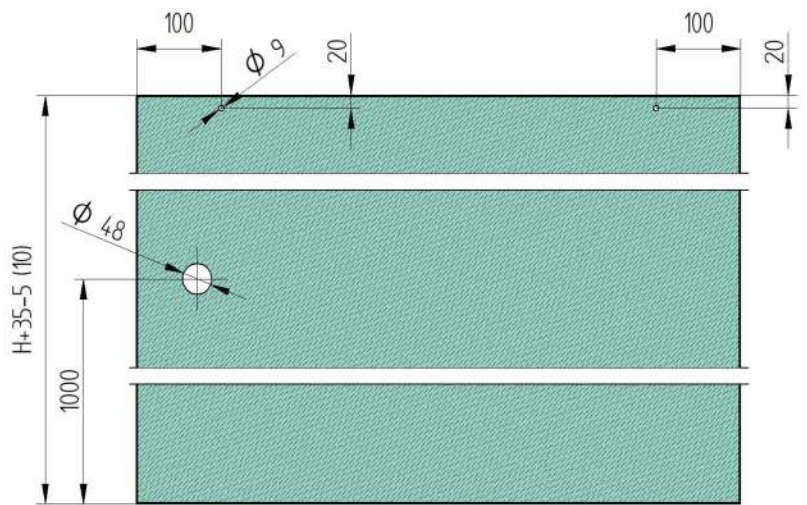
Components



Quality	Finish	Effect	art.	glass t	glass max. (kg)	STOP
ALUMINIUM	natural	ELOX	GS-AL/P8102/N/E-set	8-10	90	



Glass preparation



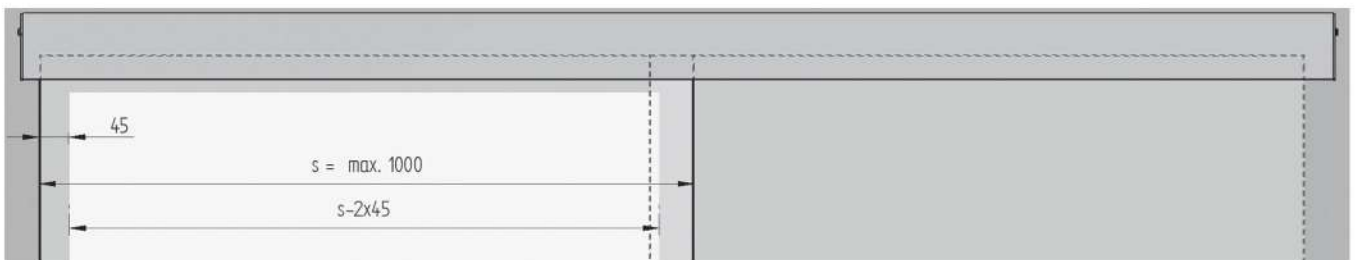
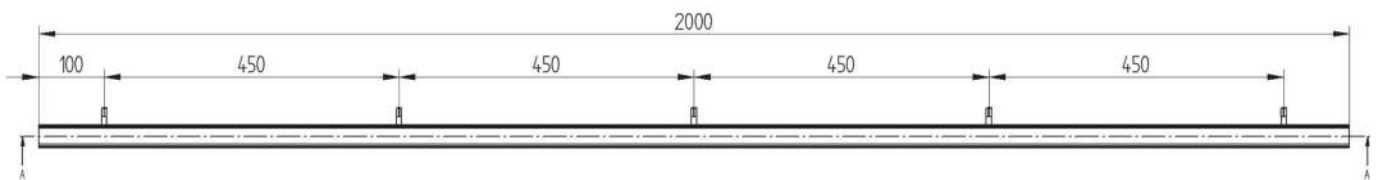
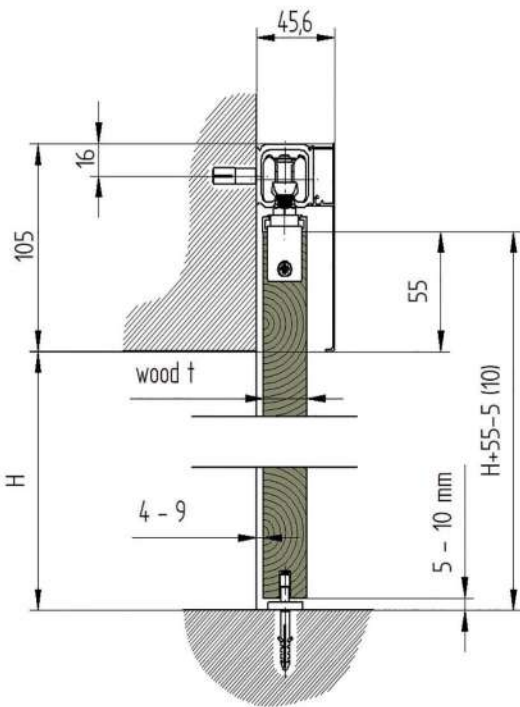
5.3
SLIDING DOORS



Components



Quality	Finish	Effect	art.	wood t	wood max. (kg)	STOP
ALUMINIUM	natural	ELOX	WS/P8101-SET	20-35	80	





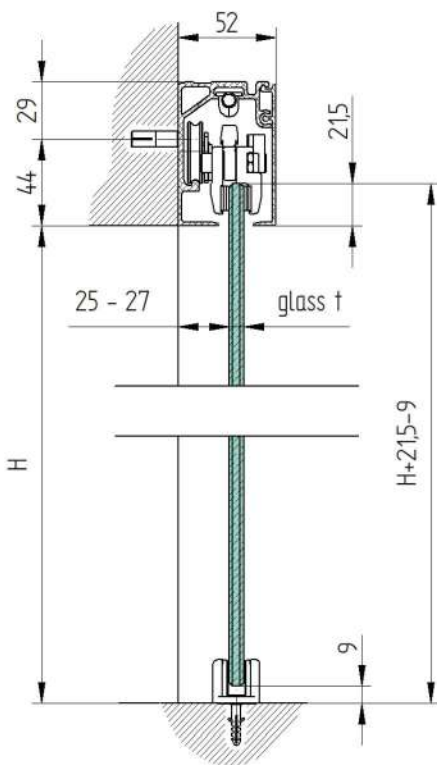
Components



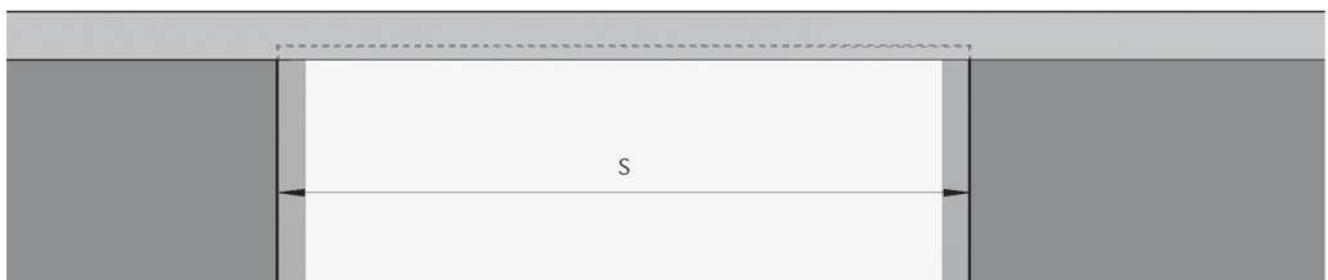
Quality	Finish	Effect	art.	glass t	glass max. (kg)	STOP
ALUMINIUM	natural	ELOX	GS-AL/P8105/N/E-set	8-12	80	

+

Accessories			
art.	GS-AL/P8105	GS-AL/LN8105/N/E	GS-AL/LK8105/N/E
Quantity	1x	1x	1x



3000 - 6000





Components

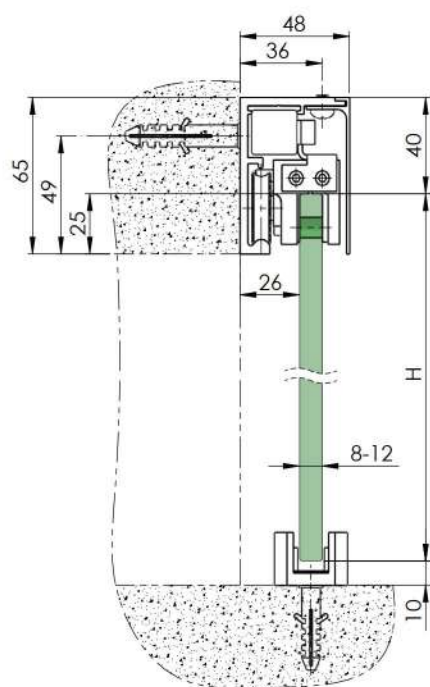


Quality	Finish	Effect	art.	glass t	glass max. (kg)	STOP
ALUMINIUM	natural	ELOX	GS-AL/P8107/N/E-3M	8-12	80	

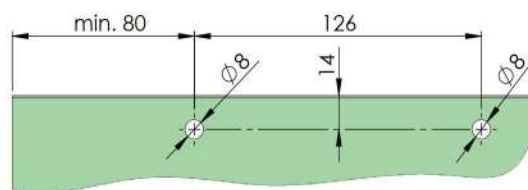
+

Accessories

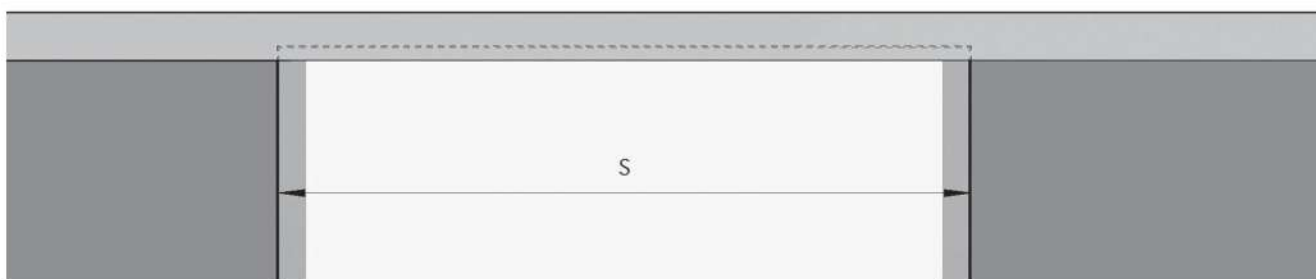
Quantity	1x	1x	2x	2x



Glass preparation



3000



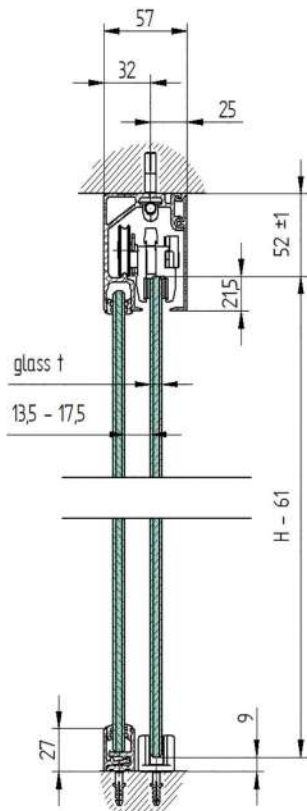


Components



Quality	Finish	Effect	art.	glass t	glass max. (kg)	STOP
ALUMINIUM	natural	ELOX	GS-AL/P8106/N/E-set	8-12	80	

+



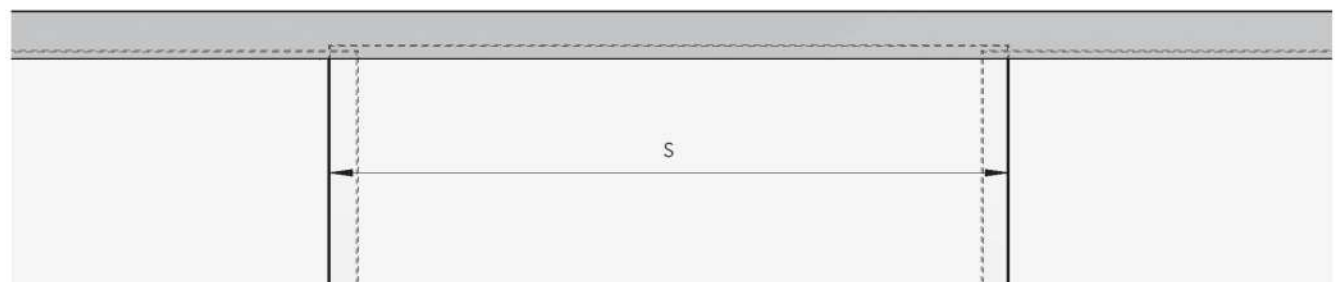
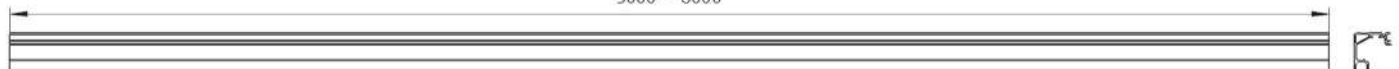
Accessories

art.	GS-AL/P8106	GS-AL/LN8106/N/E	GS-AL/LZ8106/N/E	GS-AL/ZP-21x27 /N/E-DIEL	GS-AL/LK8106/N/E
Quantity	1x	1x	1x	1x	1x

+

Profile	glass t			L	Quantity/ pcs
	8	10	12		
	GS-PVC/ZP-21x27-8/N/T	GS-PVC/ZP-21x27-10/N/T	GS-PVC/ZP-21x27-12/N/T	3000	2

3000 - 6000





Components



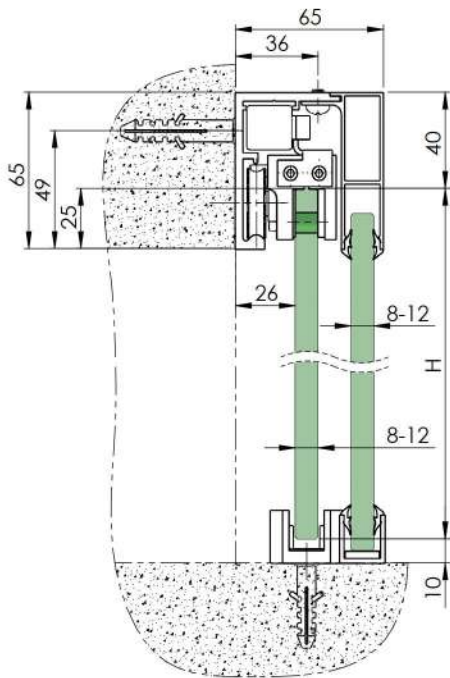
Quality	Finish	Effect	art.	glass t	glass max. (kg)	STOP
ALUMINIUM	natural	ELOX	GS-AL/P8108/N/E-3M	8-12	80	



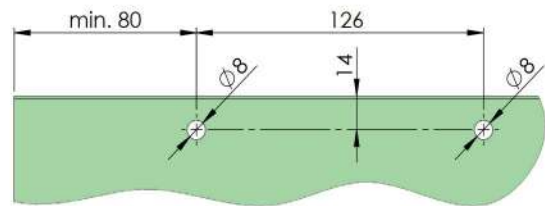
Accessories



Quantity	1x	1x	2x	2x	2x	1x	2x2m



Glass preparation



3000



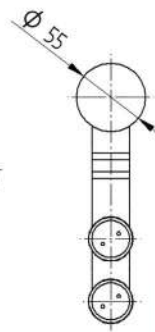
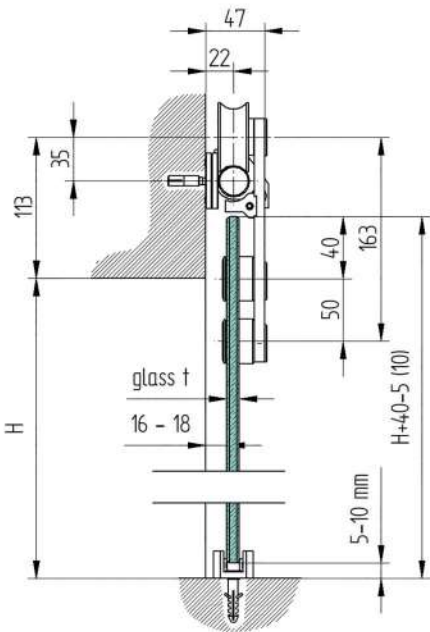
5.4 SLIDING DOORS BAR SYSTEM



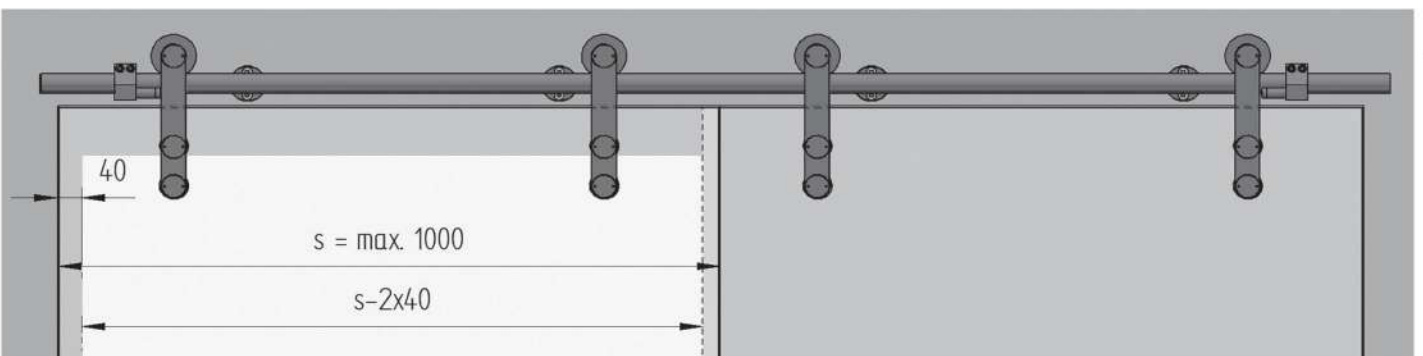
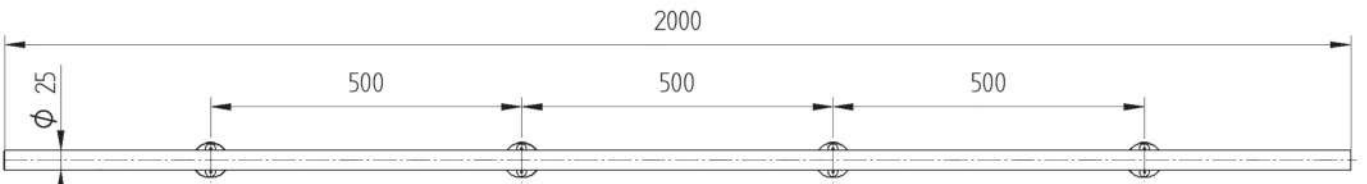
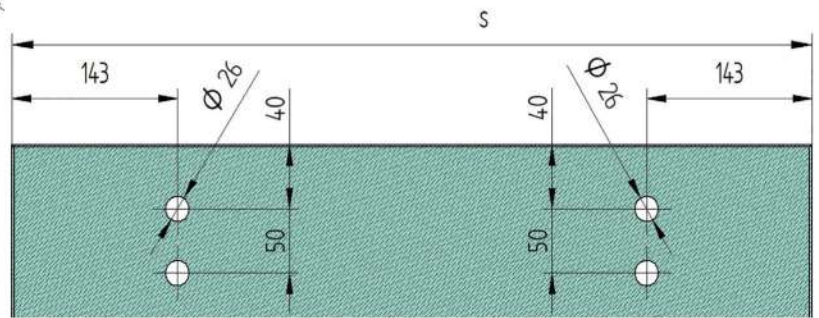
Components



Quality	Finish	art.	glass t	glass max. (kg)	STOP
AISI304	satın	GS-304/P9102/S-set	8-12	120	



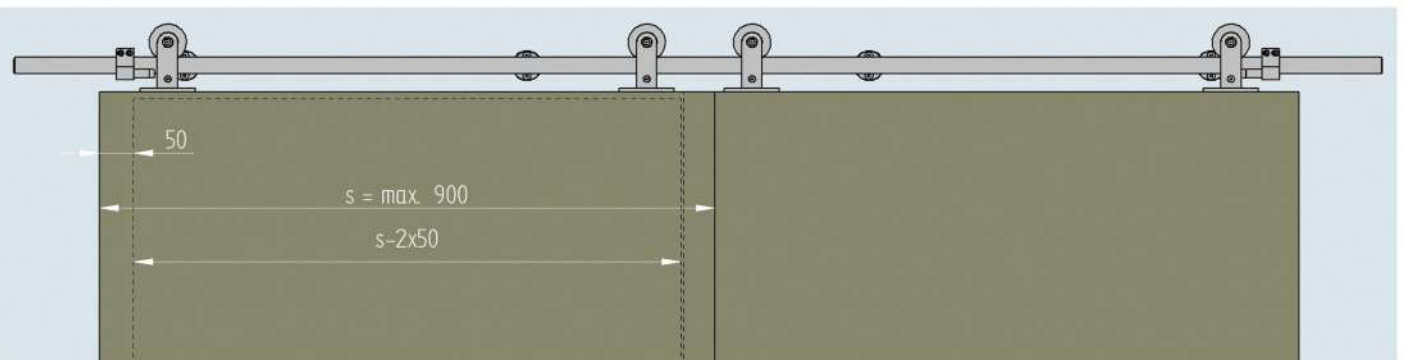
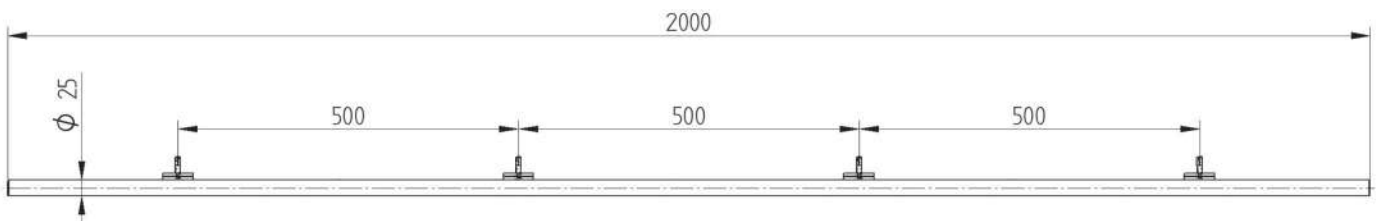
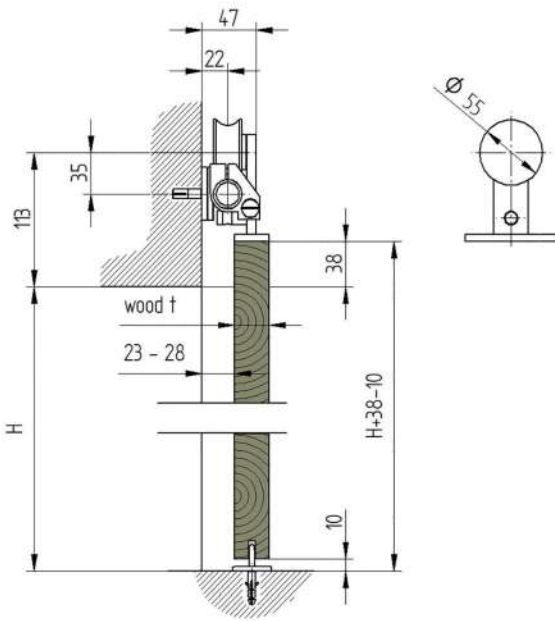
Glass preparation



Components



Quality	Finish	art.	wood t	glass max. (kg)	STOP
AISI304	satın	WS/P9101/S-set	30-40	90	

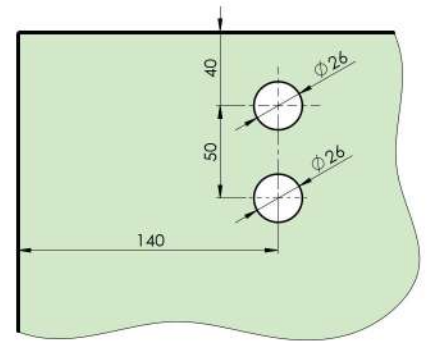
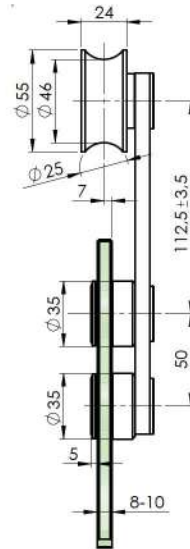


5.4
SLIDING DOORS

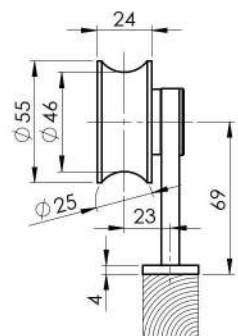
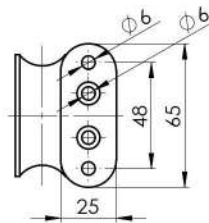


Quality	Finish	art.	compatibility
AISI304	satin	GS/P8100-set	A/25x2-2000
		GS/P9100-set	GS/P8000

Quality	Finish	art.	L	D	stop	compatibility
AISI304	satin	GS/P8000	2000	25		GS/P9100A1A WS/P9100-1-i
		A/25x2-2000				



Quality	Finish	art.	glass t	glass max. (kg)
AISI304	satin	GS/P9100A1A	8-12	60



Quality	Finish	art.	wood max. (kg)
AISI304	satin	WS/P9100-1-i	60

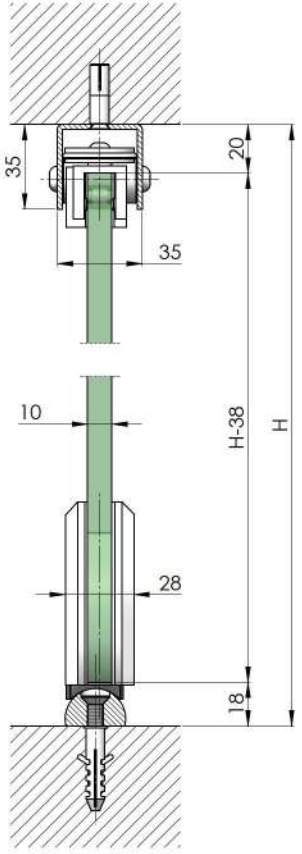
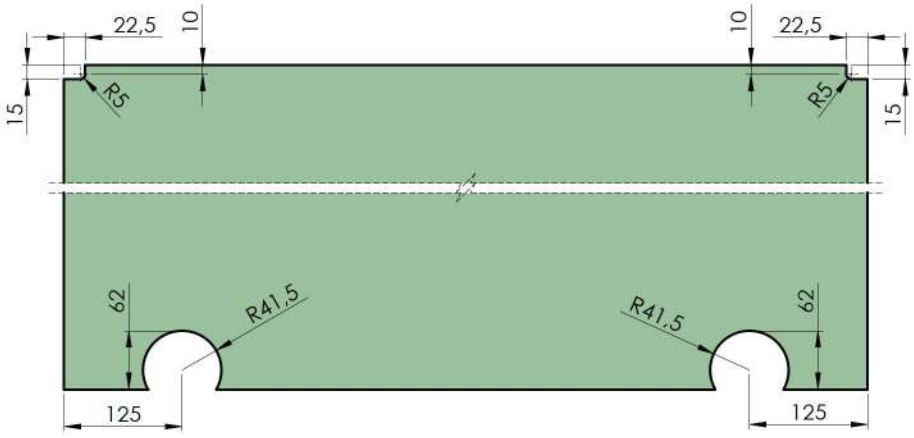


Components



Quality	Finish	art.	glass t	glass max. (kg)	STOP
AISI304	satın	GS-304/P9201/S-set	10	80	

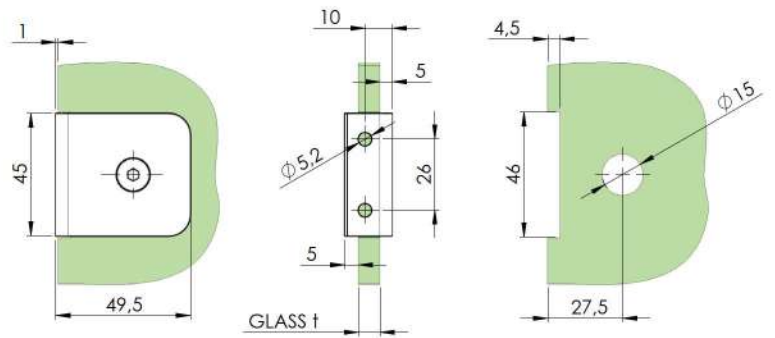
Glass preparation



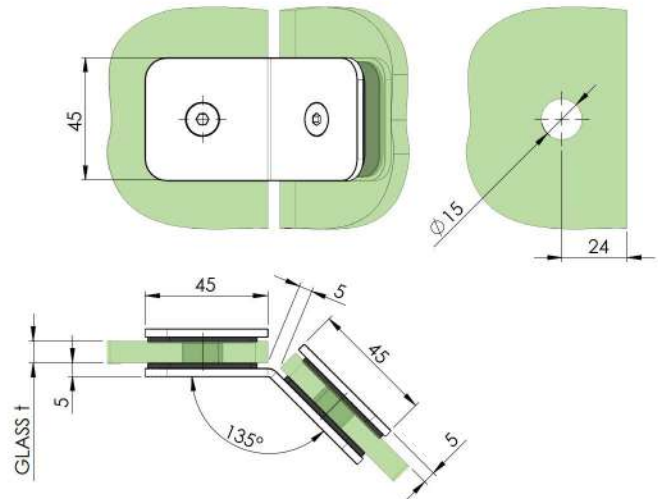
5.4 SLIDING DOORS

5.5 SHOWER CABINS

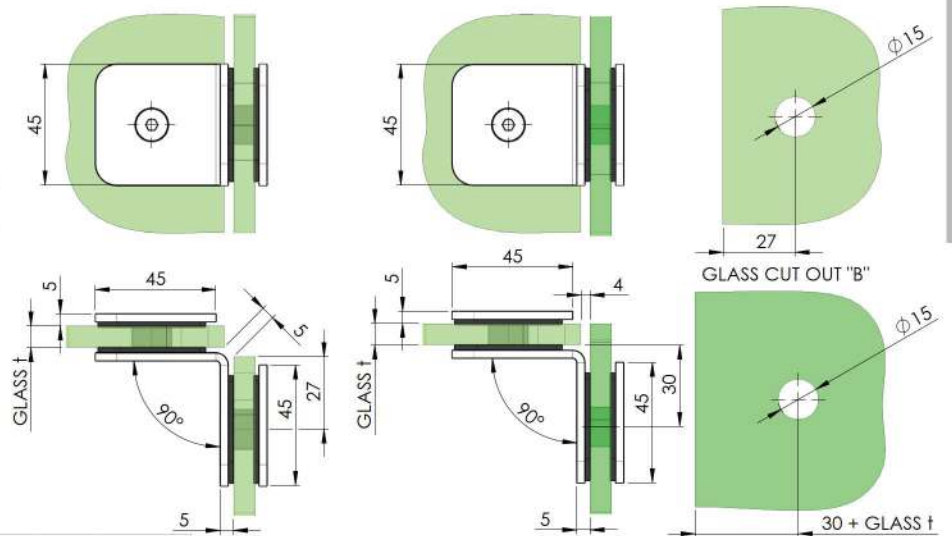




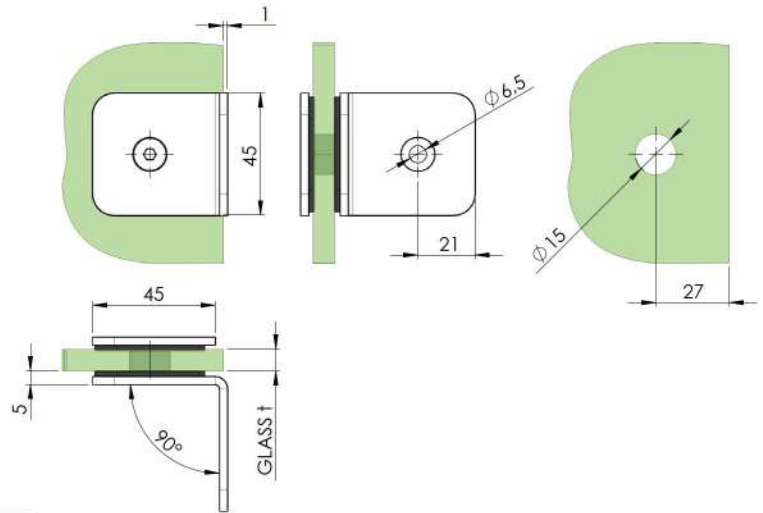
Quality	Finish	art.	glass t	b x h	mounting
AISI304	satin	GS-304/ZP-901/S	8-10	45x45	wall/ glass



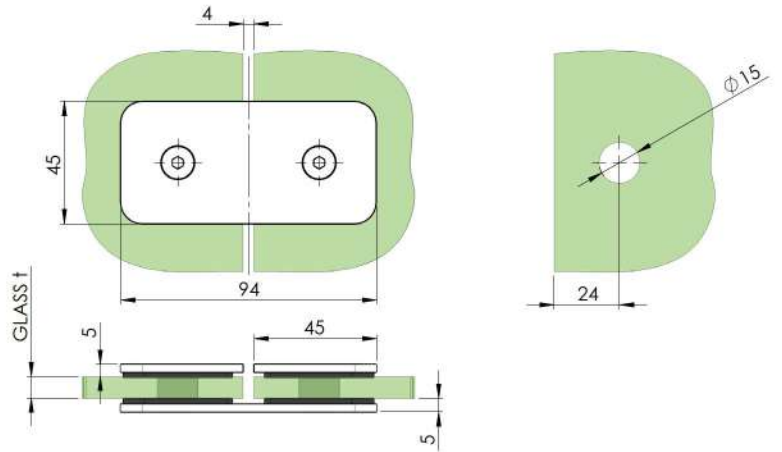
Quality	Finish	art.	glass t	b x h	mounting
AISI304	satin	GS-304/ZP-904/S	8-10	45x45	glass/ glass



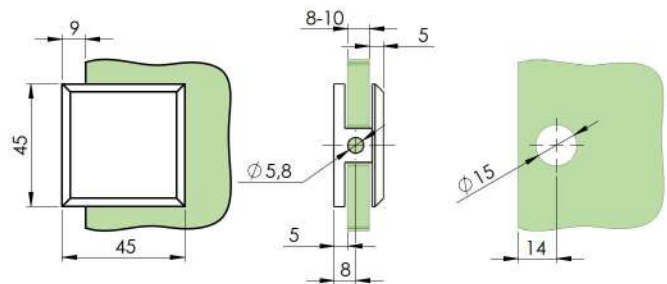
Quality	Finish	art.	glass t	b x h	mounting
AISI304	satin	GS-304/ZP-906/S	8-10	45x45	glass/ glass



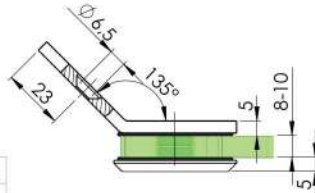
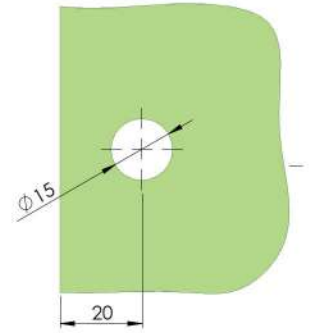
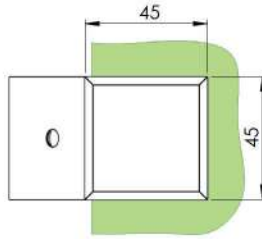
Quality	Finish	art.	glass t	b x h	mounting
AISI304	satın	GS-304/ZP-907/S	8-10	45x45	wall/ glass



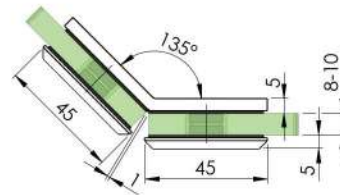
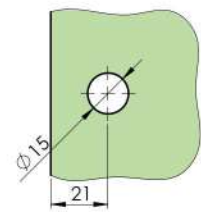
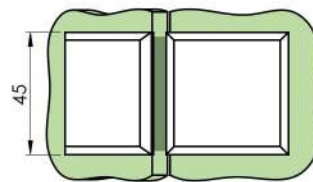
Quality	Finish	art.	glass t	b x h	mounting
AISI304	satın	GS-304/ZP-917/S	8-10	45x45	glass/ glass



Quality	Finish	art.	glass t	b x h	mounting
ZAMAK	satın	GS-ZN/ZP-901/S	8-10	45x45	wall/ glass
	polish	GS-ZN/ZP-901/P/Cr			



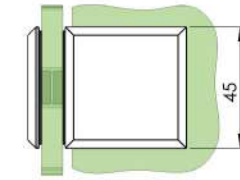
Quality	Finish	art.	glass t	b x h	mounting
ZAMAK	satin	GS-ZN/ZP-903/S	8-10	45x45	wall/ glass
	polish	GS-ZN/ZP-903/P/Cr			



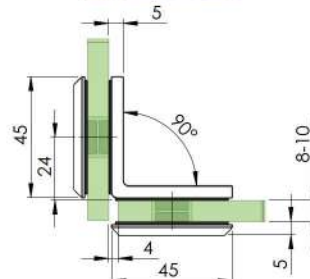
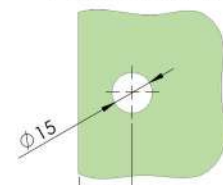
Quality	Finish	art.	glass t	b x h	mounting
ZAMAK	satin	GS-ZN/ZP-904/S	8-10	45x45	glass/ glass
	polish	GS-ZN/ZP-904/P/Cr			



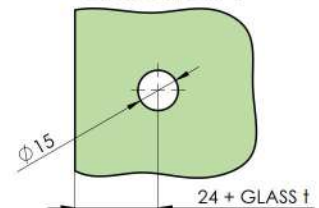
WITH GLASS CUT OUT "A+B"



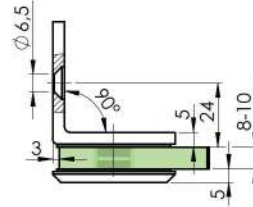
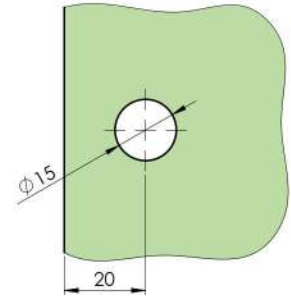
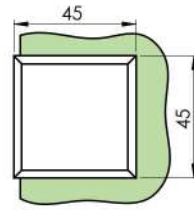
GLASS CUT OUT "A"



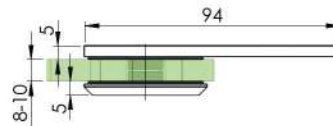
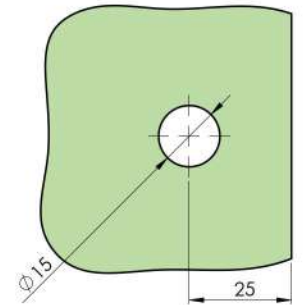
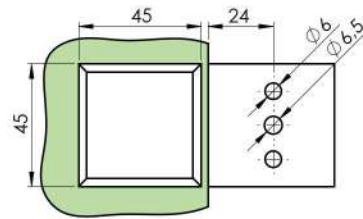
GLASS CUT OUT "B"



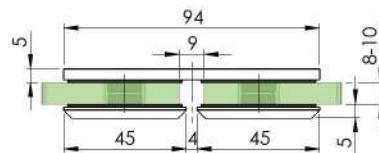
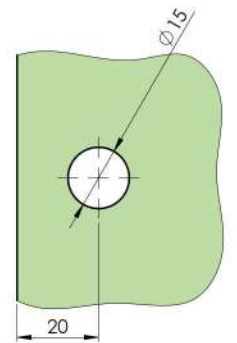
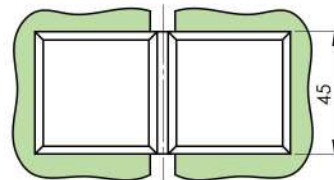
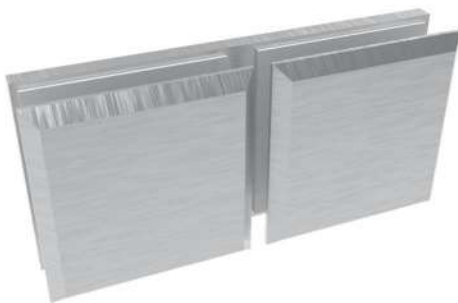
Quality	Finish	art.	glass t	b x h	mounting
ZAMAK	satin	GS-ZN/ZP-906/S	8-10	45x45	glass/ glass
	polish	GS-ZN/ZP-906/P/Cr			



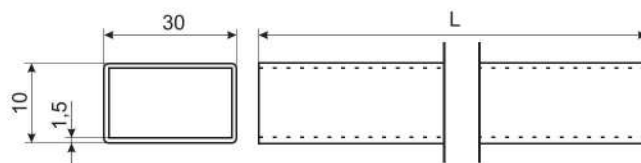
Quality	Finish	art.	glass t	b x h	mounting
ZAMAK	satin	GS-ZN/ZP-907/S	8-10	45x45	wall/ glass
	polish	GS-ZN/ZP-907/P/Cr			



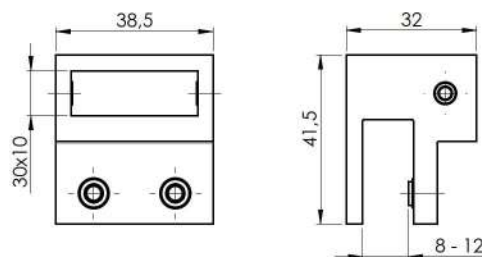
Quality	Finish	art.	glass t	b x h	mounting
ZAMAK	satin	GS-ZN/ZP-909/S	8-10	45x45	wall/ glass
	polish	GS-ZN/ZP-909/P/Cr			



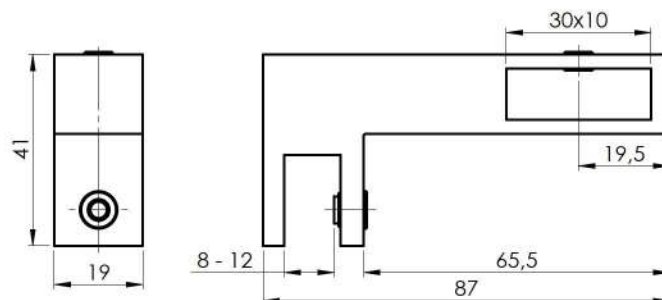
Quality	Finish	art.	glass t	b x h	mounting
ZAMAK	satin	GS-ZN/ZP-917/S	8-10	45x45	glass/ glass
	polish	GS-ZN/ZP-917/P/Cr			



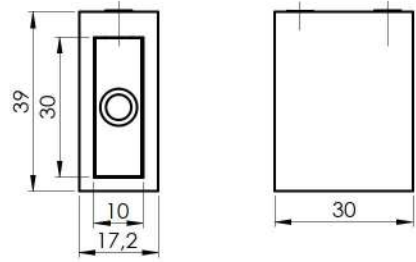
Quality	Finish	art.	L
AISI304	polish	A/30x10x1,5-2000-L	2000
		A/30x10x1,5-6000-L	6000



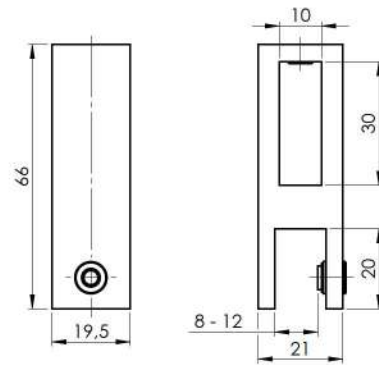
Quality	Finish	art.
AISI304	polish	GS-304/ZP-220/P/Cr



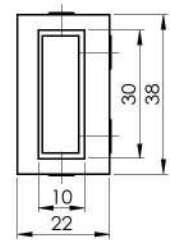
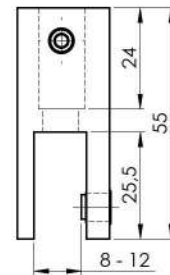
Quality	Finish	art.
AISI304	polish	GS-304/ZP-221/P/Cr



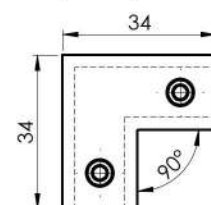
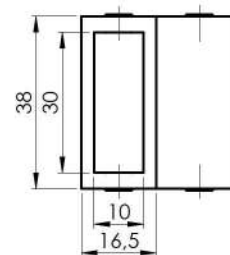
Quality	Finish	art.
AISI304	polish	GS-304/ZP-222/P/Cr



Quality	Finish	art.
AISI304	polish	GS-304/ZP-223/P/Cr

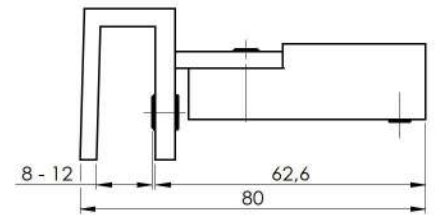
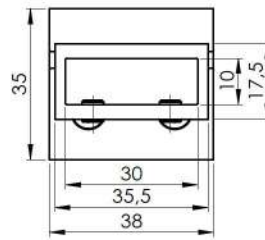


Quality	Finish	art.
AISI304	polish	GS-304/ZP-224/P/Cr

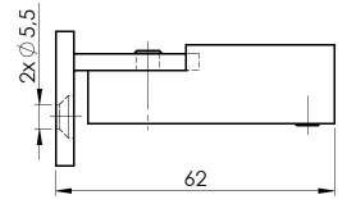
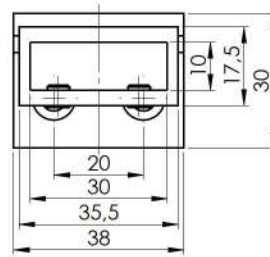


Quality	Finish	art.
AISI304	polish	GS-304/ZP-225/P/Cr

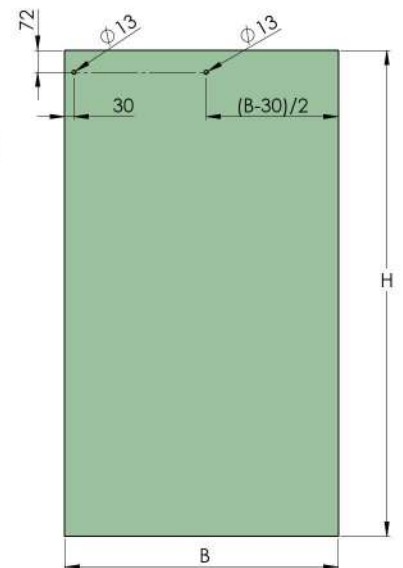
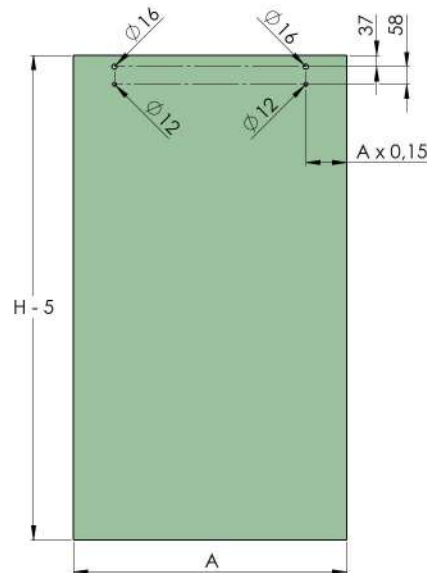
5.5
SLIDING DOORS



Quality	Finish	art.
AISI304	polish	GS-304/ZP-226/P/Cr



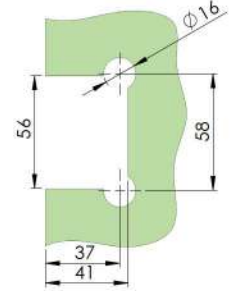
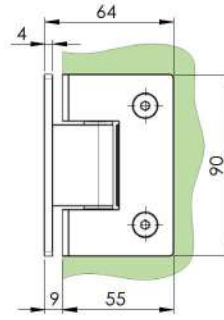
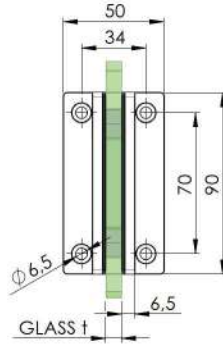
Quality	Finish	art.
AISI304	polish	GS-304/ZP-227/P/Cr



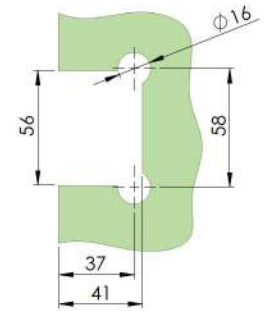
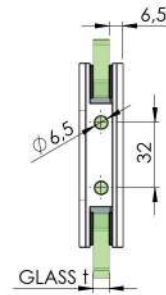
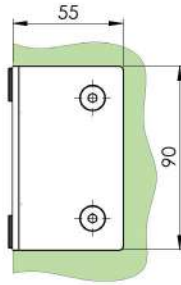
Quality	Finish	art.
AISI304	polish	GS-304/P9802/P/Cr

5.6 SWING DOORS

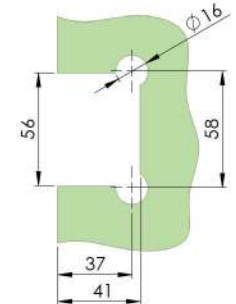
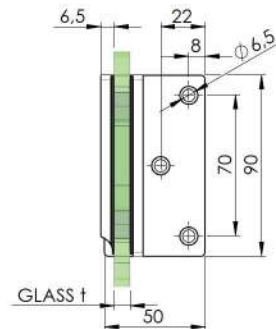
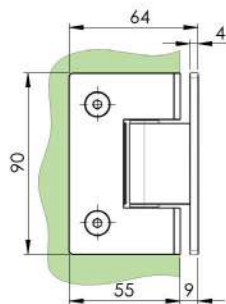




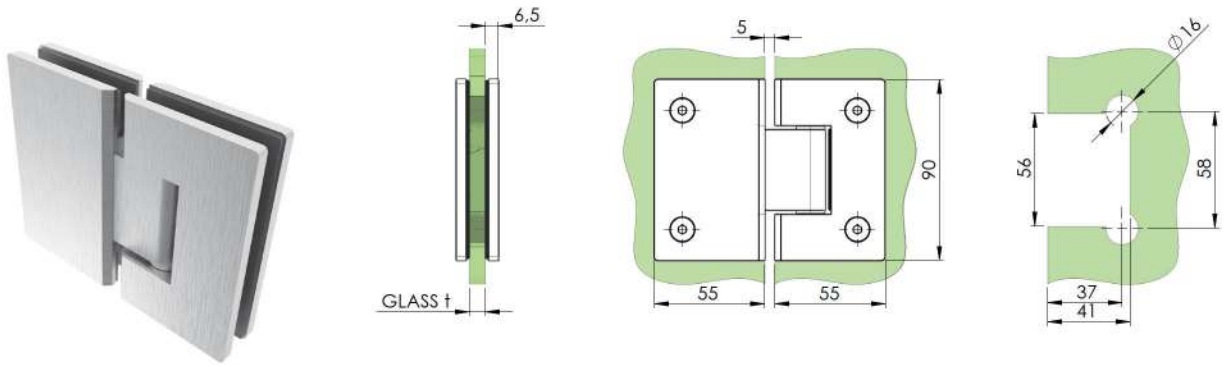
Quality	Finish	art.	glass t	Gmax (kg)/2pcs	STOP	door width	
AISI304	satin	GS-304/D-B-990-1/S-B	6-10	45	$\pm 90^\circ, 0^\circ$	950	$\pm 15^\circ$
	polish	GS-304/D-B-990-1/P/Cr-B					



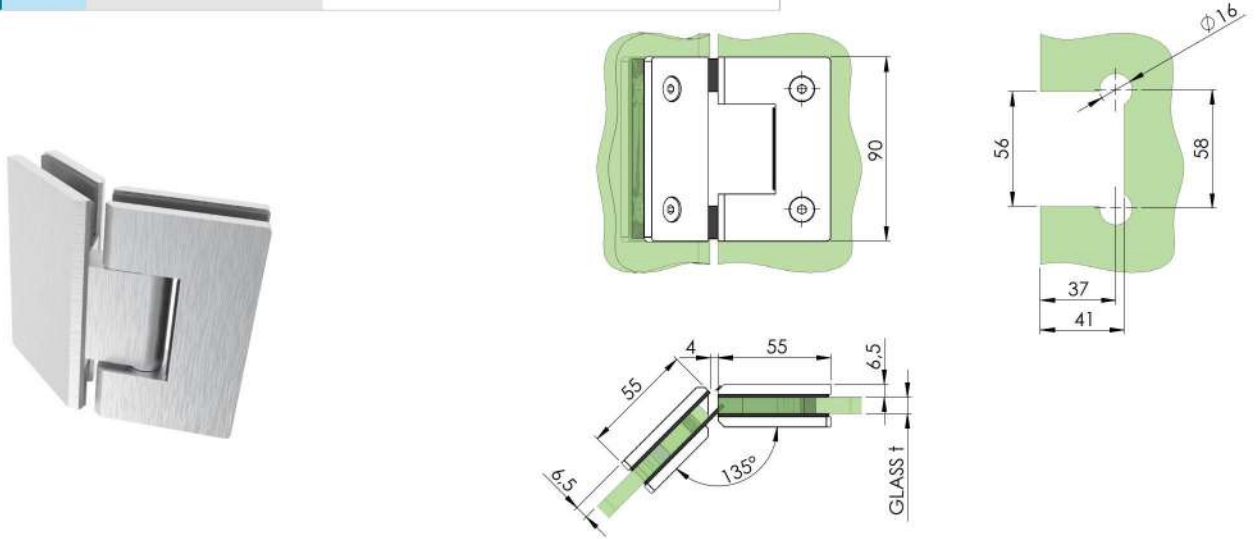
Quality	Finish	art.	glass t	Gmax (kg)/2pcs	STOP	door width	
AISI304	satin	GS-304/D-B-990-5/S-B	6-10	45	$\pm 90^\circ, 0^\circ$	950	$\pm 15^\circ$
	polish	GS-304/D-B-990-5/P/Cr-B					



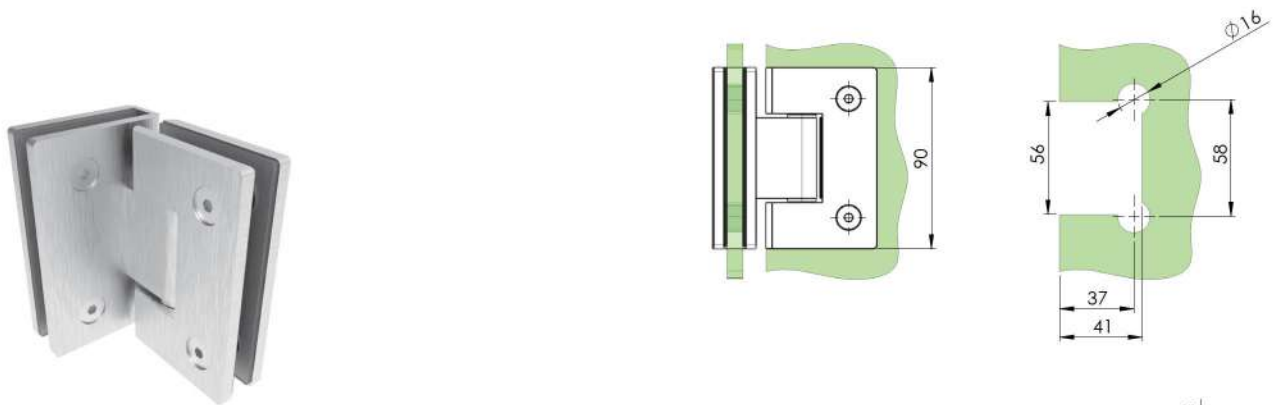
Quality	Finish	art.	glass t	Gmax (kg)/2pcs	STOP	door width	
AISI304	satin	GS-304/D-B-990-6/S-B	6-10	45	$\pm 90^\circ, 0^\circ$	950	$\pm 15^\circ$
	polish	GS-304/D-B-990-6/P/Cr-B					



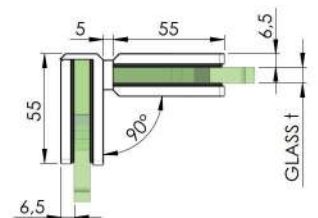
Quality	Finish	art.	glass t	Gmax (kg)/2pcs	STOP	door width	
AISI304	satin	GS-304/D-B-990-2/S-B	6-10	45	±90°, 0°	950	±15°
	polish	GS-304/D-B-990-2/P/Cr-B					

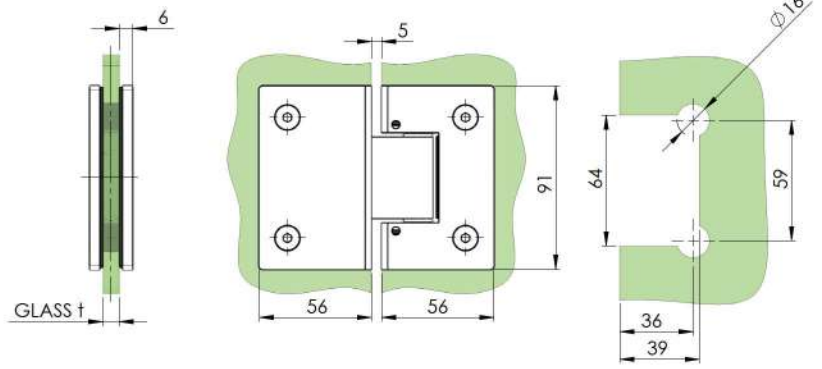


Quality	Finish	art.	glass t	Gmax (kg)/2pcs	STOP	door width	
AISI304	satin	GS-304/D-B-990-3/S-B	6-10	45	±90°, 0°	950	±15°
	polish	GS-304/D-B-990-3/P/Cr-B					

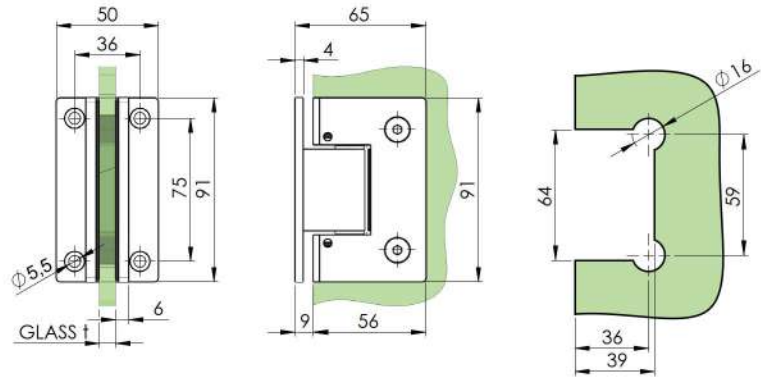


Quality	Finish	art.	glass t	Gmax (kg)/2pcs	STOP	door width	
AISI304	satin	GS-304/D-B-990-4/S-B	6-10	45	±90°, 0°	950	±15°
	polish	GS-304/D-B-990-4/P/Cr-B					

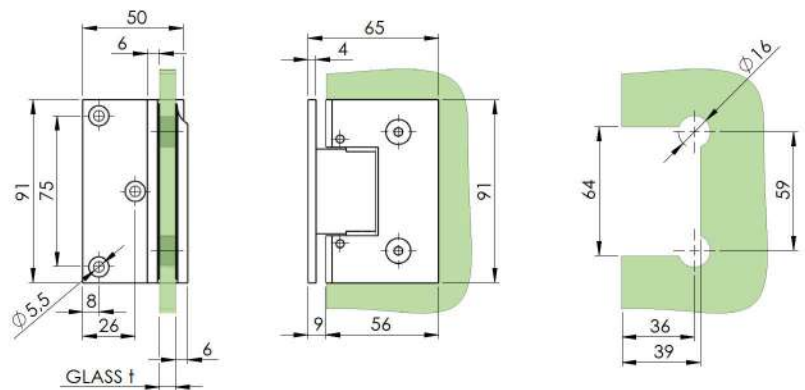




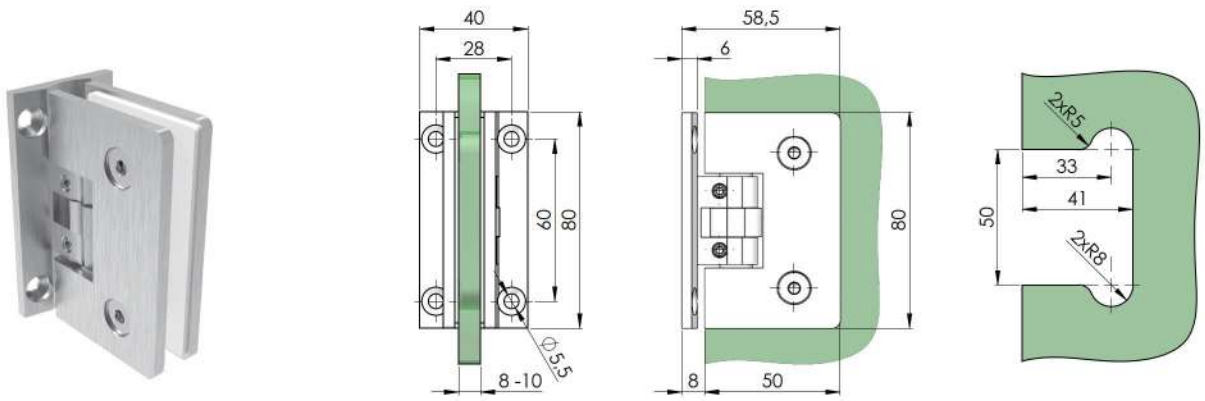
Quality	Finish	art.	glass t	Gmax (kg)/2pcs	STOP	door width	zero angle	
Brass	satin	GS-MS/D-B-980-2/S-B	6-10	45	±90°, 0°	950	±20°	±15°
	polish	GS-MS/D-B-980-2/P/Cr-B						

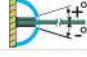


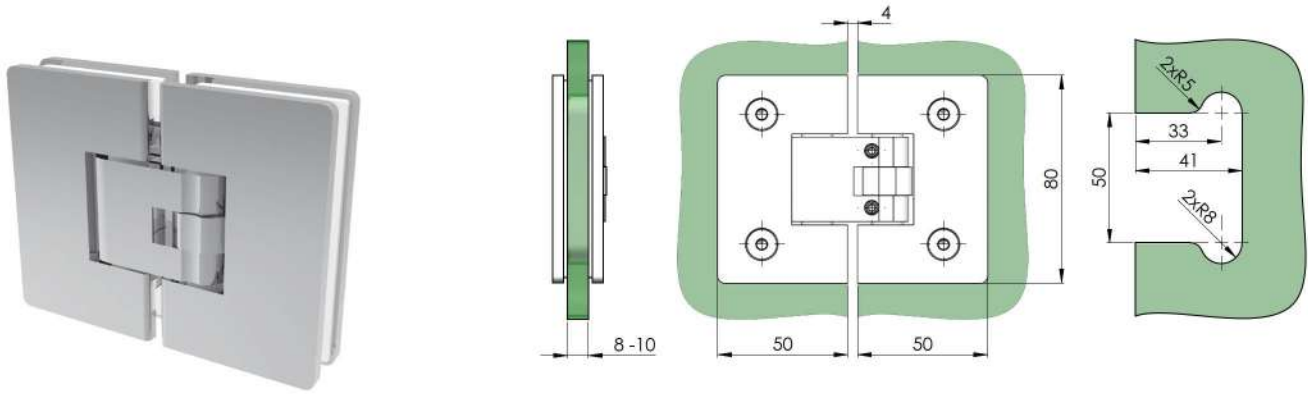
Quality	Finish	art.	glass t	Gmax (kg)/2pcs	STOP	door width	zero angle	
Brass	satin	GS-MS/D-B-980-1/S-B	6-10	45	±90°, 0°	950	±20°	±15°
	polish	GS-MS/D-B-980-1/P/Cr-B						



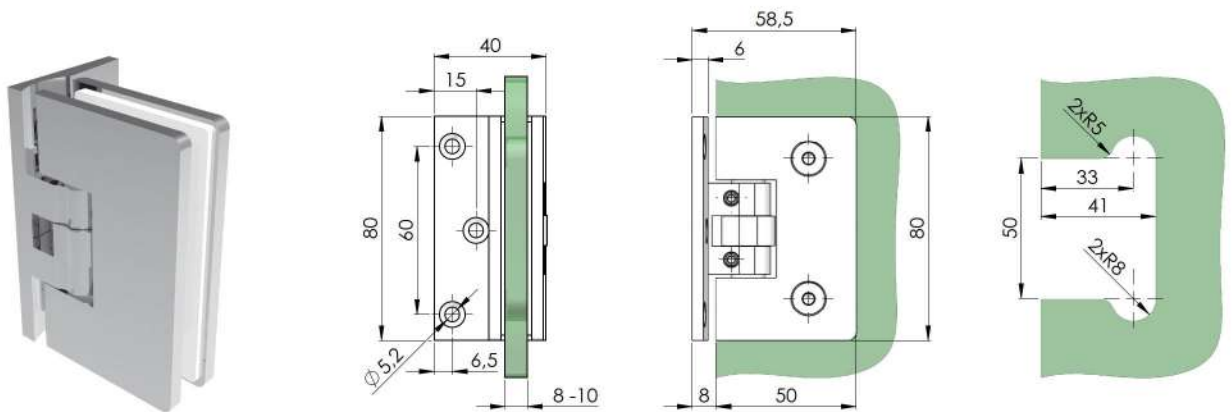
Quality	Finish	art.	glass t	Gmax (kg)/2pcs	STOP	door width	zero angle	
Brass	satin	GS-MS/D-B-980-6/S-B	6-10	45	±90°, 0°	950	±20°	±15°
	polish	GS-MS/D-B-980-6/P/Cr-B						



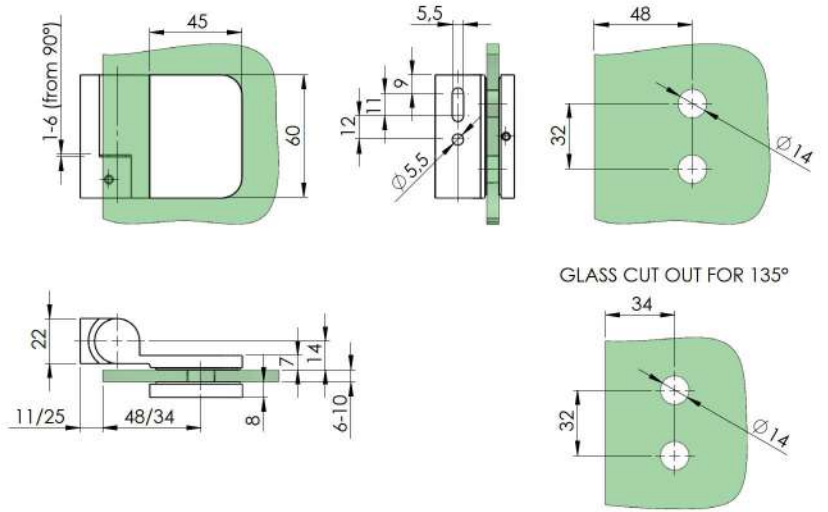
Quality	Finish	art.	Gmax (kg)/2pcs	STOP	angle	
Brass	satin	GS-MS/D-B-1000-1/S	45	±90°, 0°	0°-180°	±25°
	polish	GS-MS/D-B-1000-1/P/Cr				



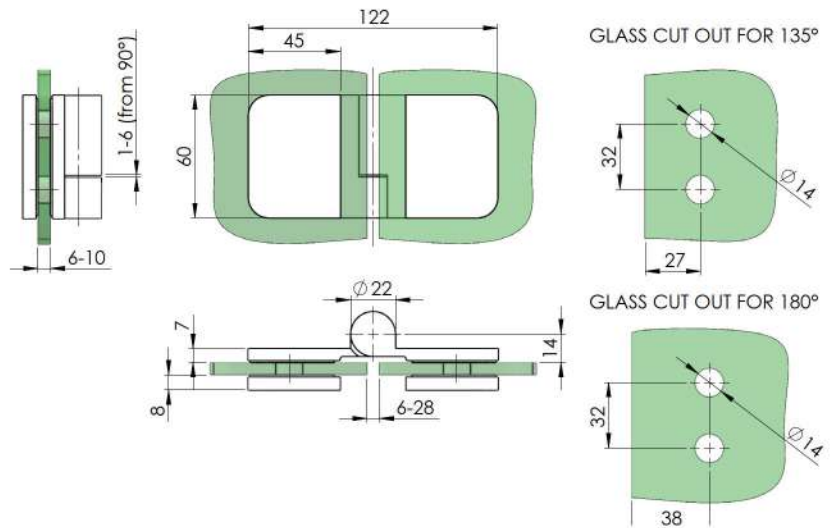
Quality	Finish	art.	Gmax (kg)/2pcs	STOP	angle	
Brass	satin	GS-MS/D-B-1000-2/S	45	±90°, 0°	0°-180°	±25°
	polish	GS-MS/D-B-1000-2/P/Cr				



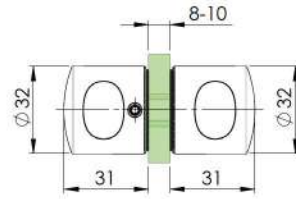
Quality	Finish	art.	Gmax (kg)/2pcs	STOP	angle	
Brass	satin	GS-MS/D-B-1000-6/S	45	±90°, 0°	0°-180°	±25°
	polish	GS-MS/D-B-1000-6/P/Cr				



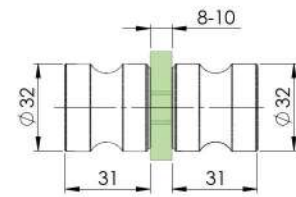
Quality	Finish	art.	Gmax (kg)/2pcs
Brass	polish	GS-MS/D-B-900-2L/P/Cr	40
		GS-MS/D-B-900-2R/P/Cr	



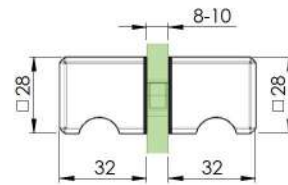
Quality	Finish	art.	Gmax (kg)/2pcs
Brass	polish	GS-MS/D-B-900-4L/P/Cr	40
		GS-MS/D-B-900-4R/P/Cr	



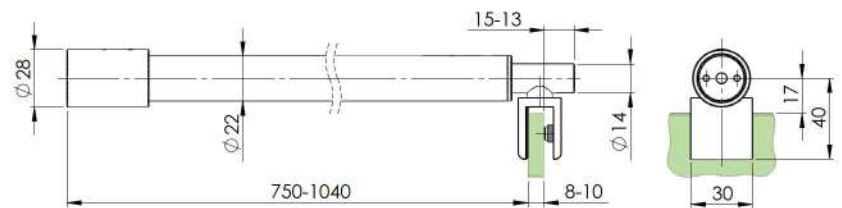
Quality	Finish	art.
AISI304	satin	GS-304/M-924/S



Quality	Finish	art.
AISI304	satin	GS-304/M-926/S



Quality	Finish	art.
AISI304	polish	GS-304/M-929/P/Cr



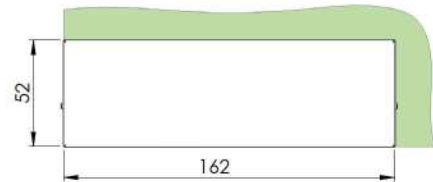
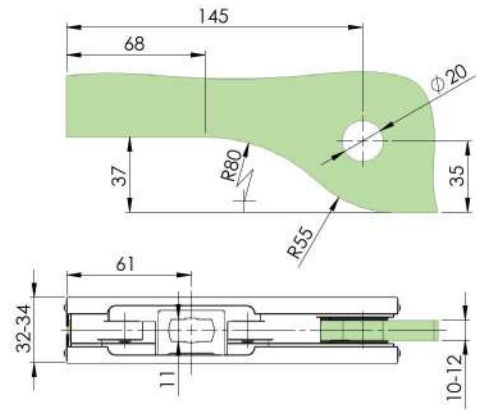
Quality	Finish	art.	glass t	mounting	L
AISI304	satin	GS-304/ZP-925-P/Cr	8-10	wall/ glass	750-1050
	polish	GS-304/ZP-925-SN			

5.7 GLASS WALLS

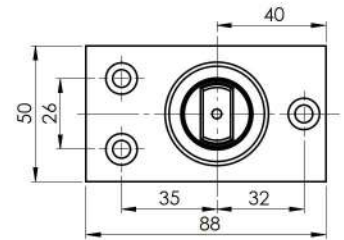
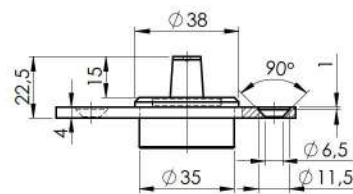




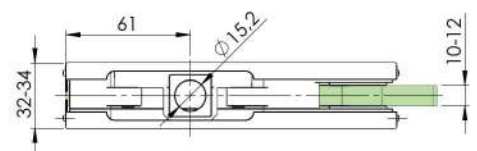
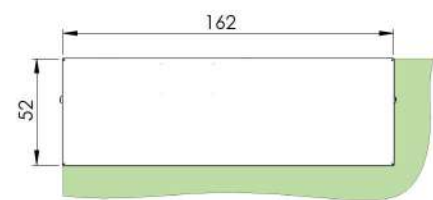
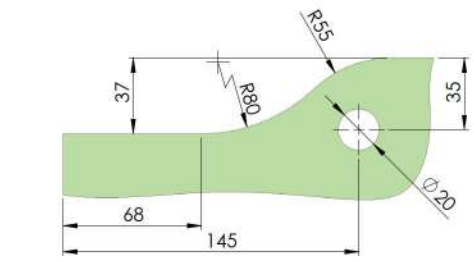
Quality	Finish	art.
AISI304	satın	GS-304/ZP-800/S-B



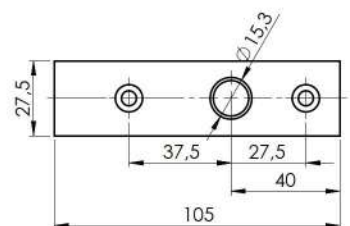
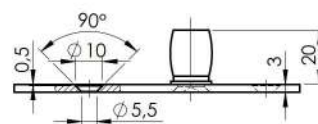
Quality	Finish	art.
AISI304	satın	GS-304/ZP-802/S-B



Quality	Finish	art.
AISI304	satın	GS-304/ZP-801/S-B

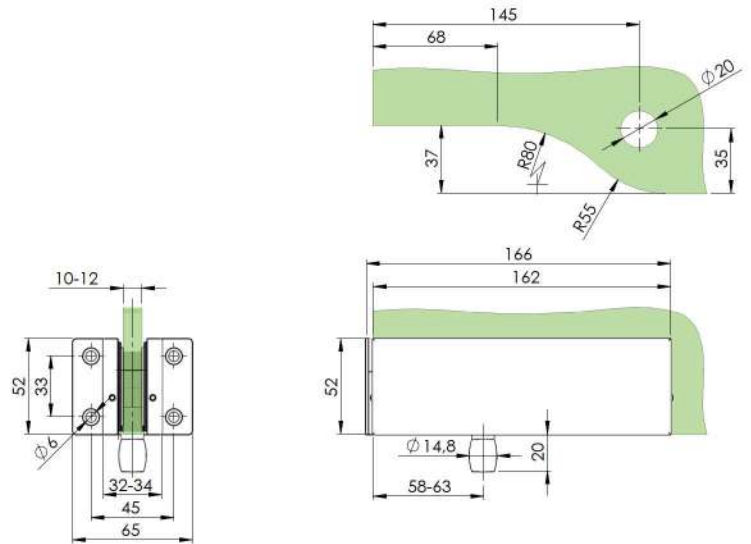


Quality	Finish	art.
AISI304	satın	GS-304/ZP-802/S

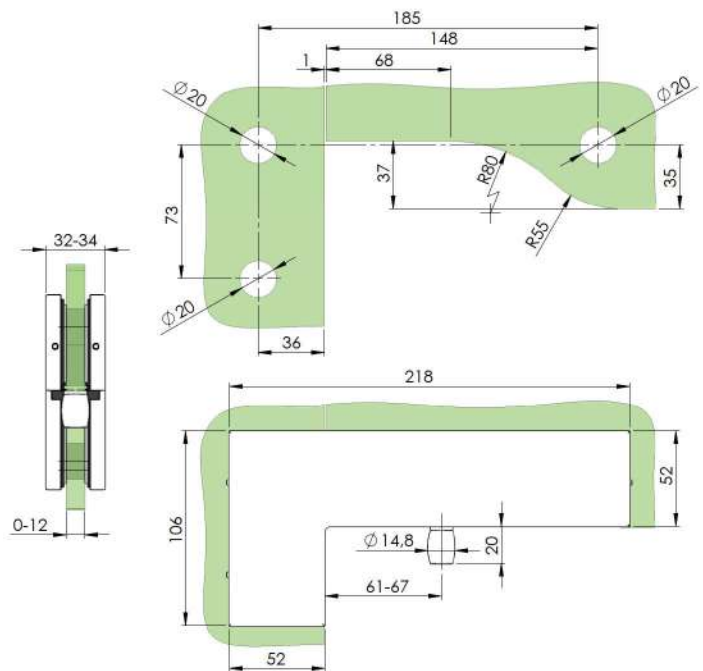




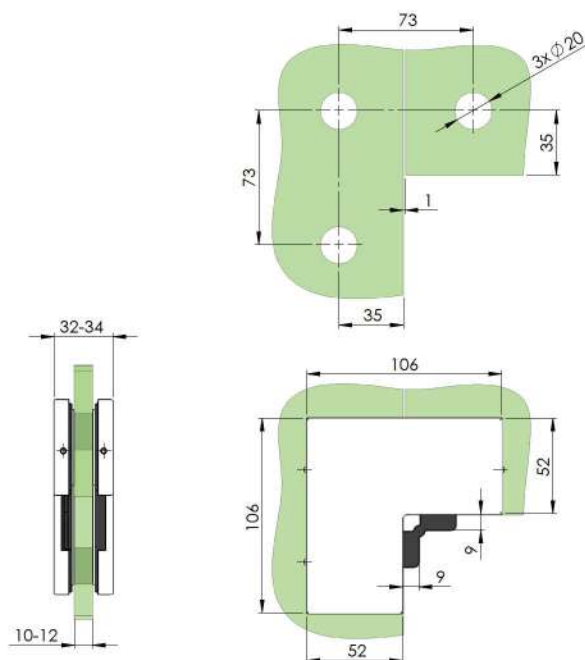
Quality	Finish	art.
AISI304	satin	GS-304/ZP-811/S

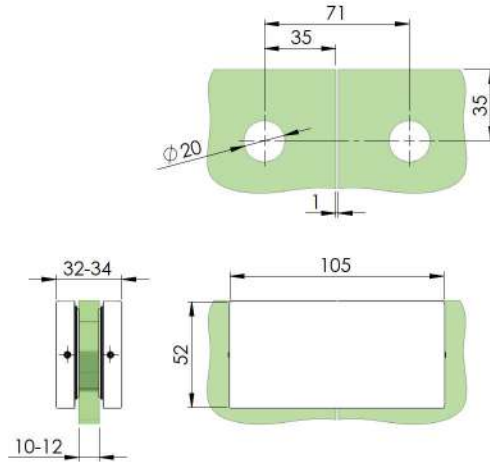


Quality	Finish	art.
AISI304	satin	GS-304/ZP-808/S

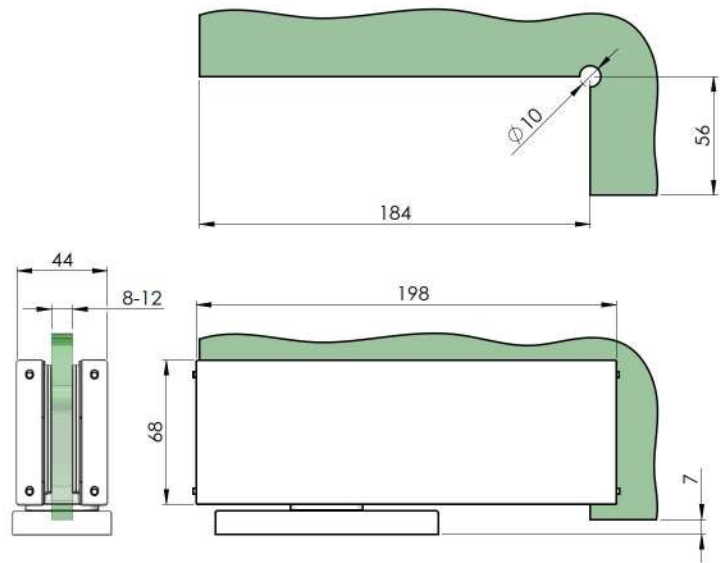


Quality	Finish	art.
AISI304	satin	GS-304/ZP-809/S

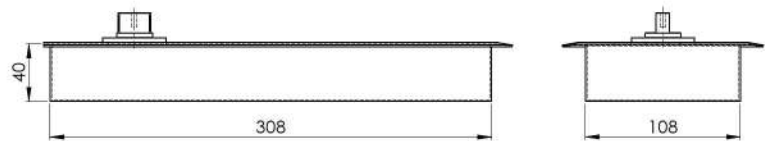




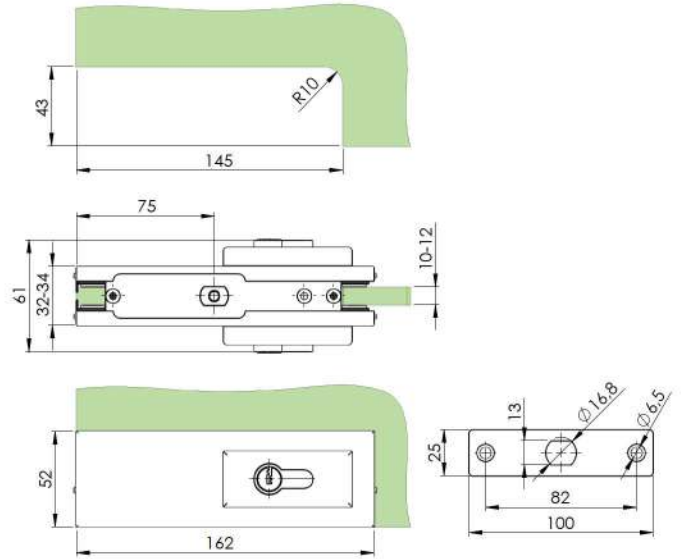
Quality	Finish	art.
AISI304	satın	GS-304/ZP-882/S



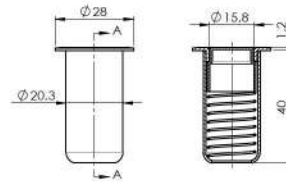
Quality	Finish	art.	Gmax (kg)	STOP	
AISI304	satın	GS-304/ZP-804/S-B	100	±90°, 0°	✓
		GS-304/ZP-803/S-B	120		



Quality	Finish	art.	Gmax (kg)	STOP	
AISI304	satın	GS-304/ZP-821/S	120	±130°, 0°	✓
		GS-304/ZP-822/S-B	150		



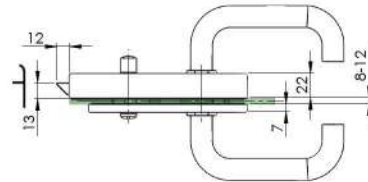
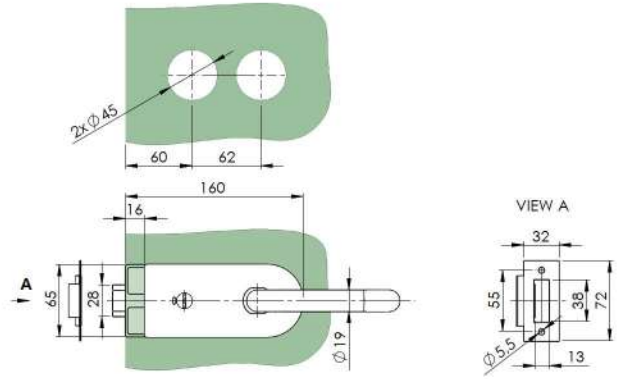
Quality	Finish	art.
AISI304	satın	GS-304/ZP-814/S



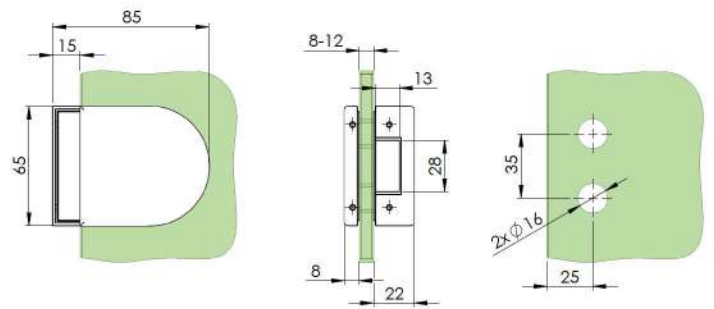
Quality	Finish	art.
AISI304	satın	GS-304/ZP-815/S



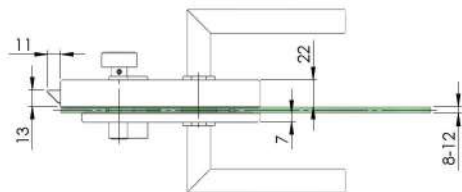
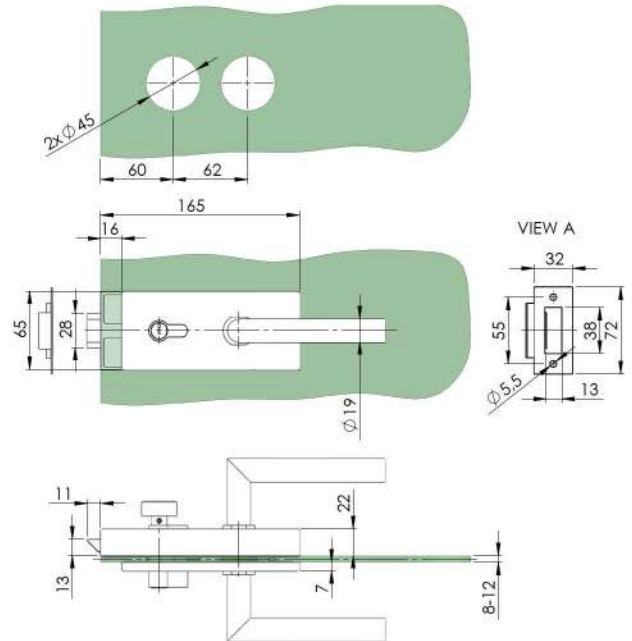
Quality	Finish	art.
AISI304	satin	GS-304/D-200/S



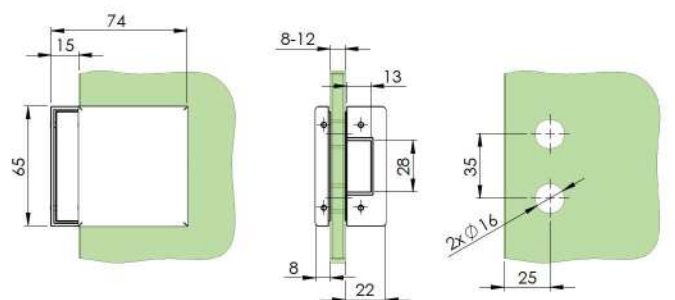
Quality	Finish	art.	compatibility
AISI304	satin	GS-304/D-L18S/S	GS-304/D-200/S GS-304/D-207/S



Quality	Finish	art.	FAB
AISI304	satin	GS-304/D-206/S	✓
		GS-304/D-206-H/S	

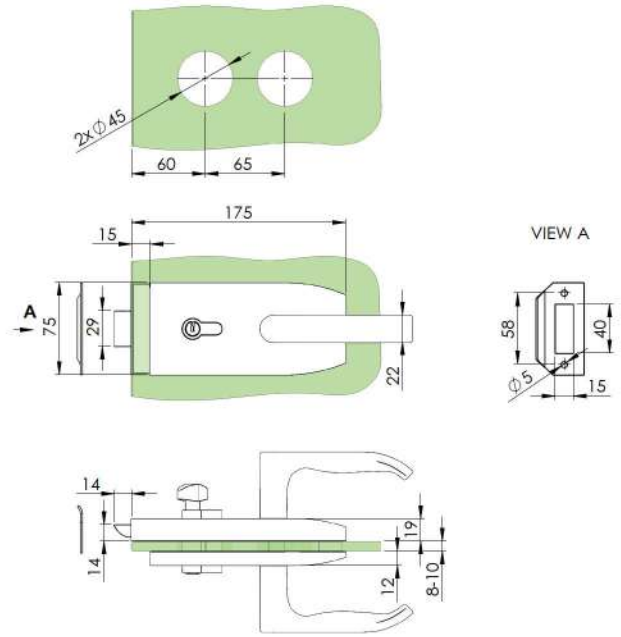


Quality	Finish	art.	compatibility
AISI304	satin	GS-304/D-L18R/S	GS-304/D-206/S

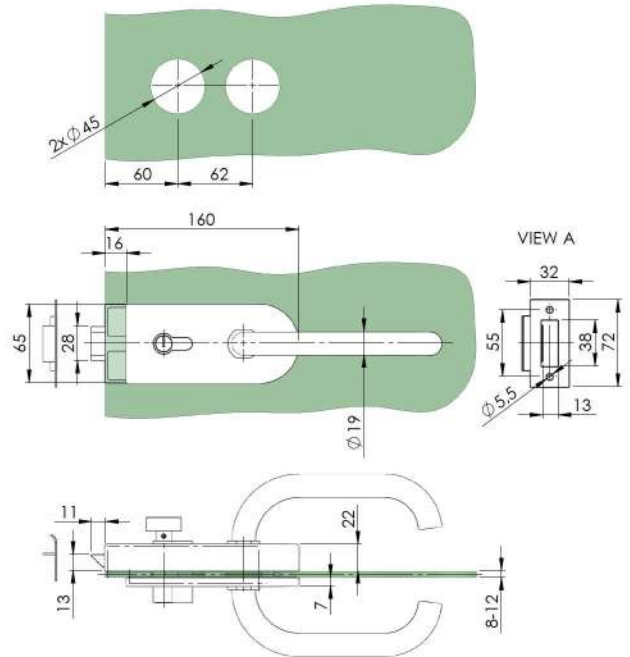




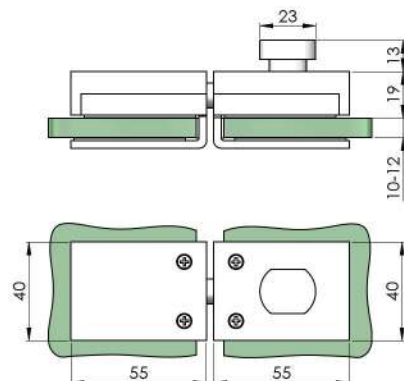
Quality	Finish	art.
AISI304	satın	GS-304/D-201/S



Quality	Finish	art.	FAB
AISI304	satın	GS-304/D-207/S	✓
		GS-304/D-207-H/S	

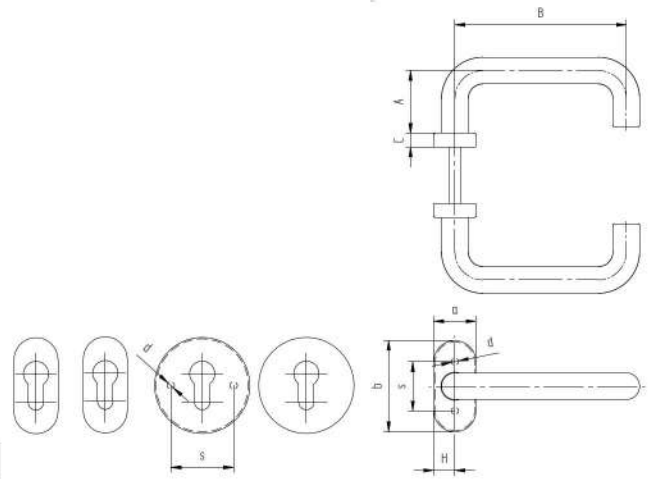


Quality	Finish	art.
AISI304	satın	GS-304/D-204/S

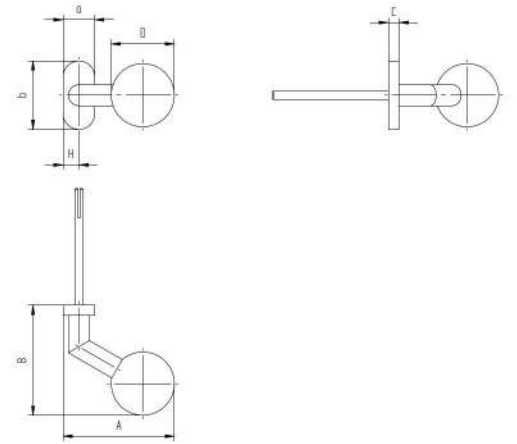




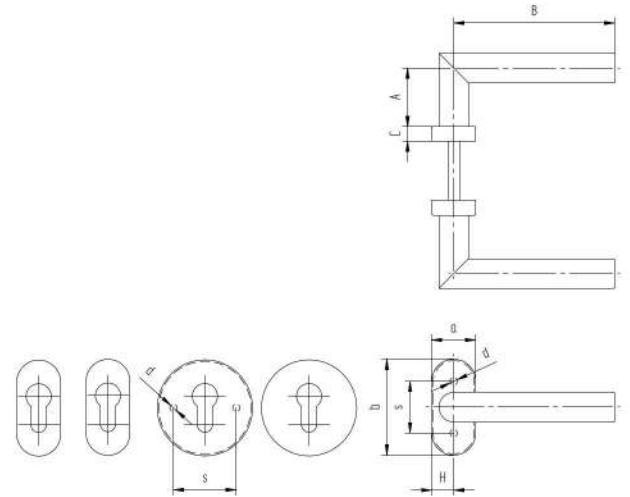
Quality	Finish	art.	A	B	C	a	b	s	d	H
AISI304	satın	D8/03	45	120	10	30	65	50	5	15



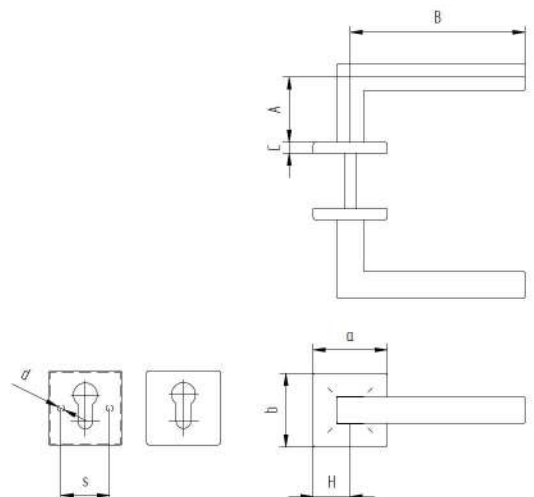
Quality	Finish	art.	A	B	C	D	a	b	H
AISI304	satın	D8/04-2-i	80	90	10	50	31	66	15

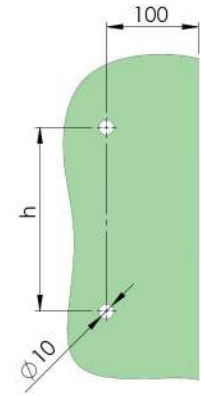
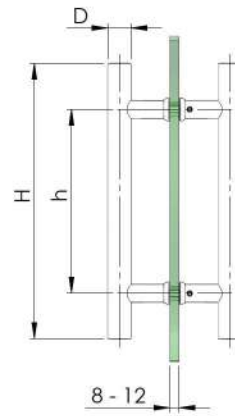


Quality	Finish	art.	A	B	C	a	b	s	d	H
AISI304	satın	D8/05	50	120	10	30	65	50	5	15

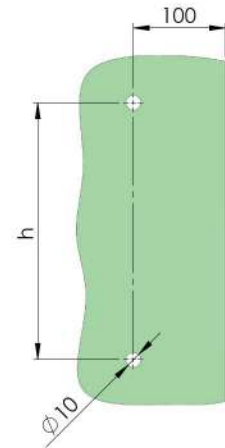
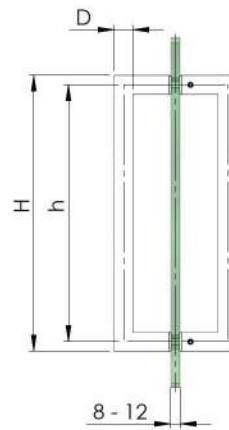


Quality	Finish	art.	A	B	C	a	b	s	d	H
AISI304	satın	D8/06	48	126	8	53	53	38	5,5	26,5





Quality	Finish	art.	D	H	h
AISI304	satin	GS-304/M1-25-300/S	25	300	200
		GS-304/M1-25-400/S		400	300
		GS-304/M1-25-500/S		500	400
	polish	GS-304/M1-25-300/P/Cr		300	200



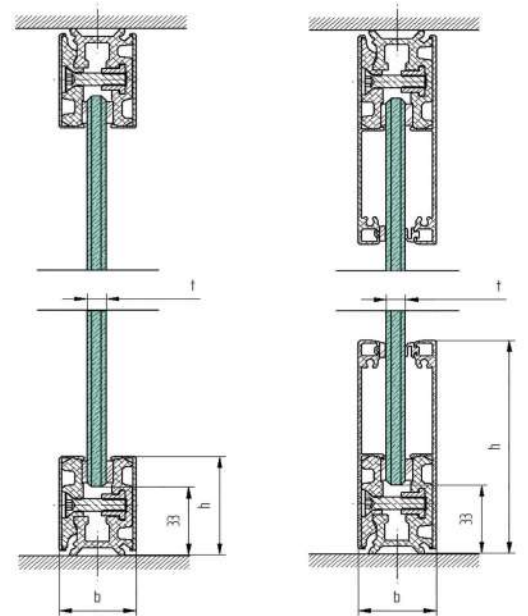
Quality	Finish	art.	D	H	h
AISI304	satin	GS-304/M3-20-300/S	20	320	300
		GS-304/M3-20-400/S		420	400
		GS-304/M3-20-500/S		520	500
	polish	GS-304/M3-20-300/P/Cr		320	300



Quality	Finish	Effect	art.	axb	L
Aluminium	satin	ELOX	GS-AL/M3-24-240/S/E	24x24	240

5.8 GLASS WALLS





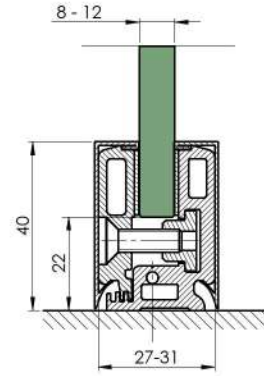
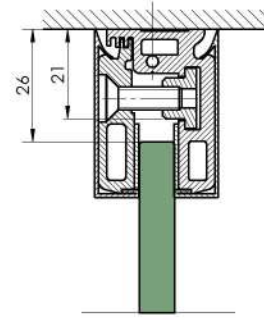
GS/ZP-002 GS/ZP-L02 GS/ZP-A02-a GS-AL/ZP-A02/N/B GS/ZP-A02-i GS-AL/ZP-A02W/N/E GS-AL/ZP-A02W/N/B GS-304/ZP-A02W/S GS-PVC/ZP-32666

<p>GS-.../N/B</p>	art.							
	GS-AL/ZP-32x46/N/B							
	GS-AL/ZP-32x100/N/B							
	GS-304/ZP-32x46/S							
	GS-304/ZP-32x100/S							
	GS-AL/ZP-32x46/N/E							
GS-AL/ZP-32x100/N/E								
		3 m	1 pcs	3 m	3 m	3 m	3 m	
		ALUMINIUM		black	AISI304	ALUMINIUM	black	AISI304

+

	Quality	Finish	Effect	art.	Quantity/ pairs	b x h	Glass t			
							8	10	12	
	ALUMINIUM	natural	black	GS-AL/ZP-Z02A-8/N/B	1	32x46	✓			
				GS-AL/ZP-Z02A-10/N/B				✓		
				GS-AL/ZP-Z02A-12/N/B					✓	
				GS-AL/ZP-Z02AW-8/N/B			33x100	✓		
				GS-AL/ZP-Z02AW-10/N/B					✓	
				GS-AL/ZP-Z02AW-12/N/B						✓
	AISI304	satin	-	GS-304/ZP-Z02A-8/S	1	32x46	✓			
				GS-304/ZP-Z02A-10/S				✓		
				GS-304/ZP-Z02A-12/S					✓	
				GS-304/ZP-Z02AW-8/S			33x100	✓		
				GS-304/ZP-Z02AW-10/S					✓	
				GS-304/ZP-Z02AW-12/S						✓
	ALUMINIUM	natural	ELOX	GS-AL/ZP-Z02A-8/N/E	1	32x46	✓			
				GS-AL/ZP-Z02A-10/N/E				✓		
				GS-AL/ZP-Z02A-12/N/E					✓	
				GS-AL/ZP-Z02AW-8/N/E			33x100	✓		
				GS-AL/ZP-Z02AW-10/N/E					✓	
				GS-AL/ZP-Z02AW-12/N/E						✓

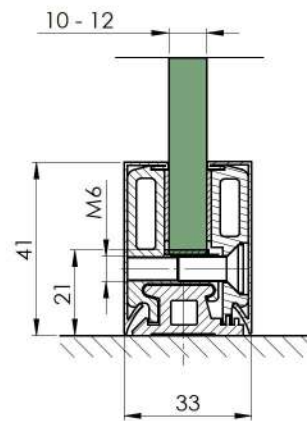
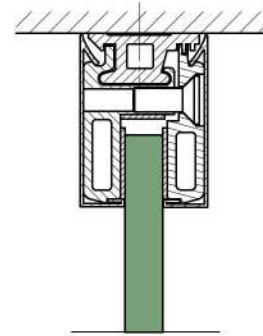
	Quality	Finish	Effect	art.	L	Quantity/ pcs	h
<p>GS-.../N/B</p>	ALUMINIUM	natural	black	GS-AL/ZP-A02/N/B	3000	1	46
	ALUMINIUM	natural	black	GS-AL/ZP-A02W/N/B			
	AISI304	satin	-	GS/ZP-A02-i			100
	AISI304	satin	-	GS-304/ZP-A02W/S			
	ALUMINIUM	natural	ELOX	GS/ZP-A02-a			
	ALUMINIUM	natural	ELOX	GS-AL/ZP-A02W/N/E			



Quality	Finish	Effect	art.	L	G max	glass t
ALUMINIUM	satin	-	GS-304/ZP-30x38/S	3000	45 kg/m	8-12
		INOX	GS-AL/ZP-30x38/S			

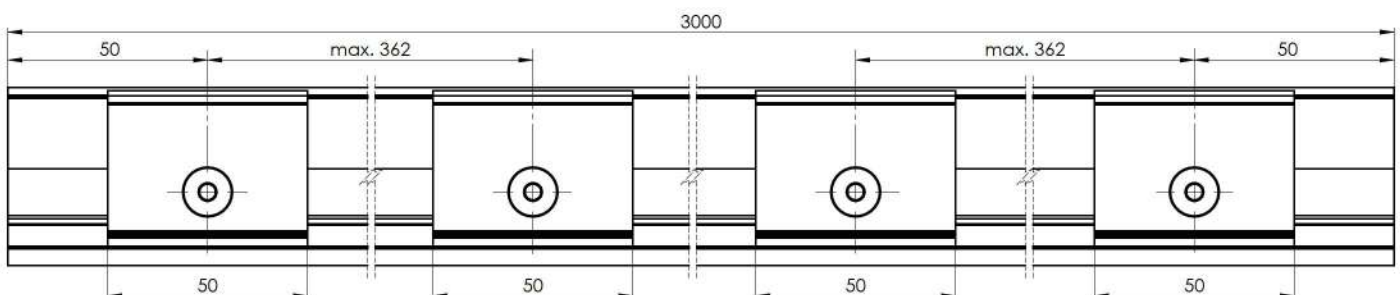


art	1 x 3 m	9 x 1 pcs	2 x 3 m	2 pcs
GS-304/ZP-30x38/S	ALUMINIUM	AISI304	ALUMINIUM	PVC
GS-AL/ZP-30x38/S				



Quality	Finish	Effect	art.	L	G max	glass t
ALUMINIUM	satin	INOX	GS-304/ZP-30x40/S	3000	30 kg/m	10-12

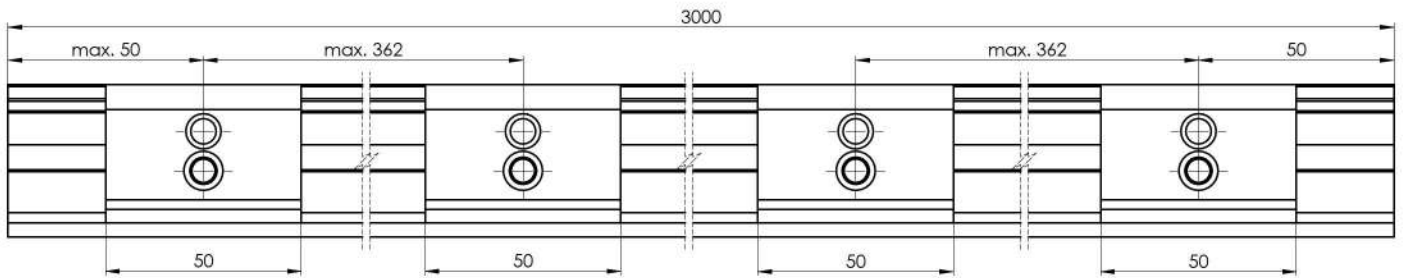
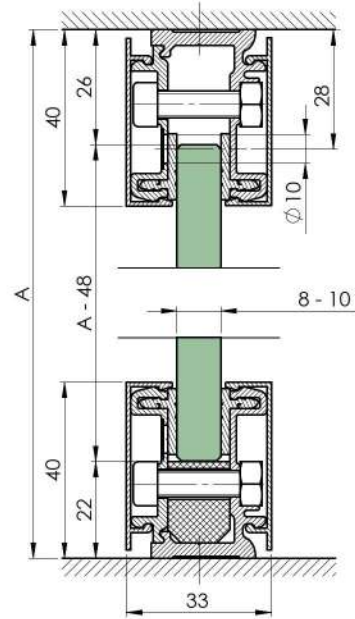
art	1 x 3 m	9 x 1 pcs	2 x 3 m	2 pcs
	ALUMINIUM	AISI304	ALUMINIUM	PVC

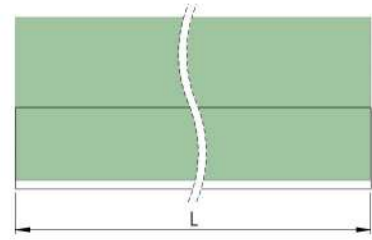
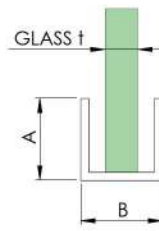




Quality	Finish	Effect	art.	L	G max	glass t
ALUMINIUM	polish	INOX	GS-304/ZP-30x40/P/Cr	3000	20 kg/m	8-10

		
1 x 3 m	9 x 1 pcs	2 x 3 m
ALUMINIUM		AISI304





Quality	Finish	Effect	art.	A	B	L	glass t
ALUMINIUM	satin	INOX	GS-AL/ZP-2020/S/VA	20	20	3000	8, 10

+



2 x 3 m

GS-PVC/ZP-2020GT-8/N/T
GS-PVC/ZP-2020GT-10/N/T



Quality	Finish	Effect	art.	L	glass t
ALUMINIUM	natural	ELOX	GS-AL/ZP-21x27/N/E	3000	8-12

+



2 x 3 m

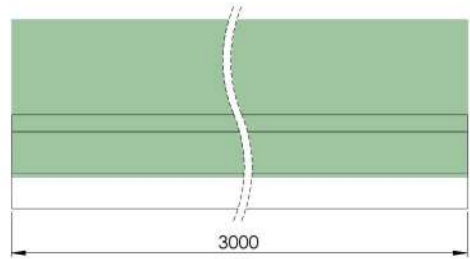
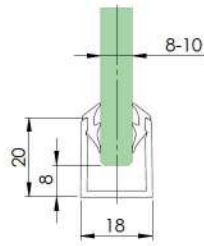
GS-PVC/ZP-2127-8/N/T
GS-PVC/ZP-2127-10/N/T
GS-PVC/ZP-2127-12/N/T

5.8

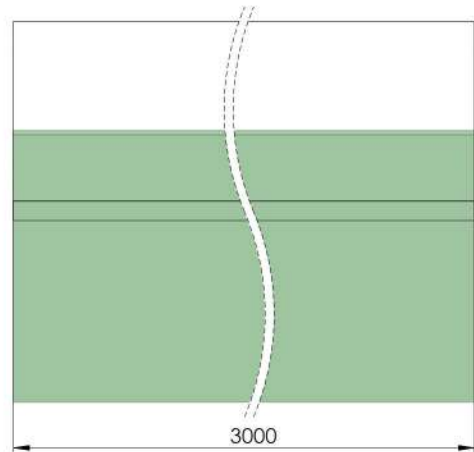
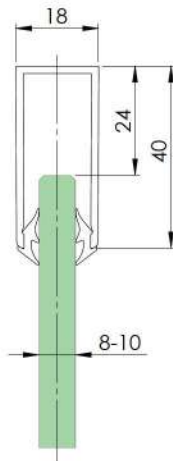
GLASS WALLS



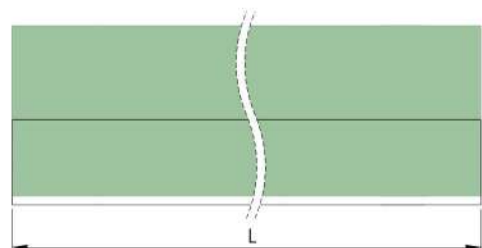
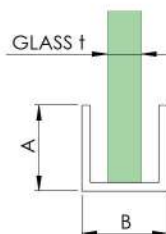
Quality	art.	L	glass t
PVC	GS-PVC/H-8	3000	8
	GS-PVC/H-10		10
	GS-PVC/H-12		12



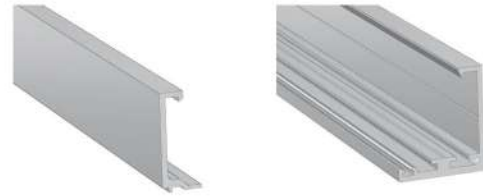
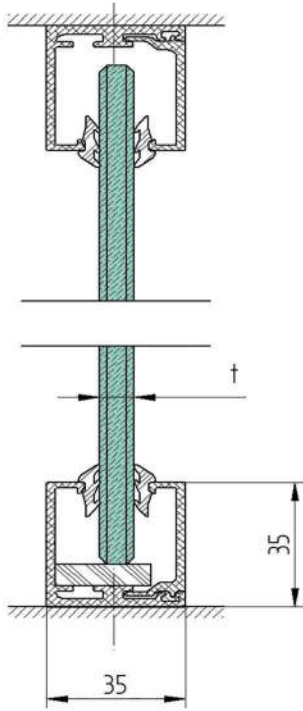
Quality	Finish	Effect	art.	L	glass t
ALUMINIUM	natural	ELOX	GS-AL/ZP-2018/N/E	3000	8-10
	satin	INOX	GS-AL/ZP-2018/S/VA		



Quality	Finish	Effect	art.	L	glass t
ALUMINIUM	natural	ELOX	GS-AL/ZP-4018/N/E	3000	8-10
	satin	INOX	GS-AL/ZP-4018/S/VA		



Quality	Finish	Effect	art.	A	B	L	glass t
ALUMINIUM	polish	ELOX	GS-AL/ZP-1510/P/Cr	15	10	2500	6
			GS-AL/ZP-2012/P/Cr	20	12	3000	8
			GS-AL/ZP-2014/P/Cr		14		10

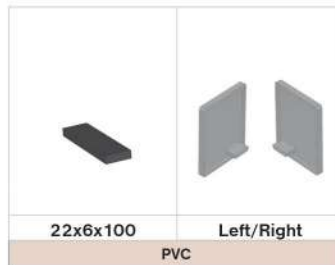


Quality	Finish	Effect	art.	L	glass t
ALUMINIUM	natural	ELOX	GS-AL/ZP-3535/N/E	3000	6-10

+

GS-PVC/G-3535-N/B

GS-PVC/C-3535



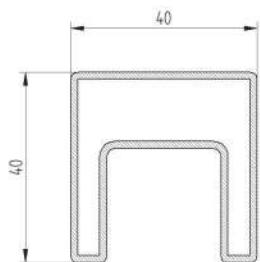
22x6x100

Left/Right

PVC

	GLASS			L	Quantity/ pcs
	6	8	10		
	GS-PVC/ZP-3535-8/N/B	GS-PVC/ZP-3535-8/N/B + GS-PVC/ZP-3535-10/N/B	GS-PVC/ZP-3535-10/N/B	3000	2

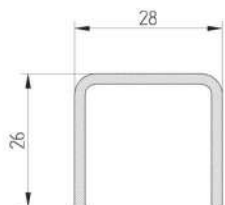
A/6925-040



+

Profile	GLASS		L	Quantity/ pcs
	8	11		
	A19/5042-008		5000	1

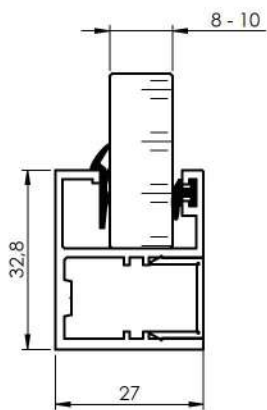
A/6900-020



+

Profile	GLASS		L	Quantity/ pcs
	8	11		
	A19/5042-008		2500	1

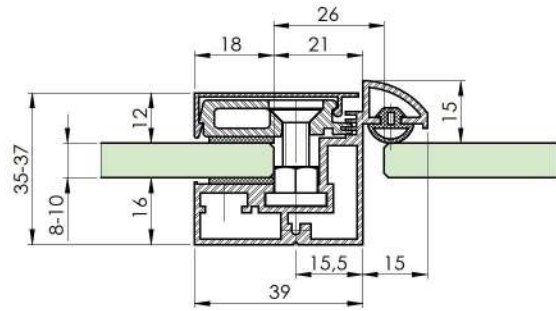
GS-AL/ZP-27x33/S/E



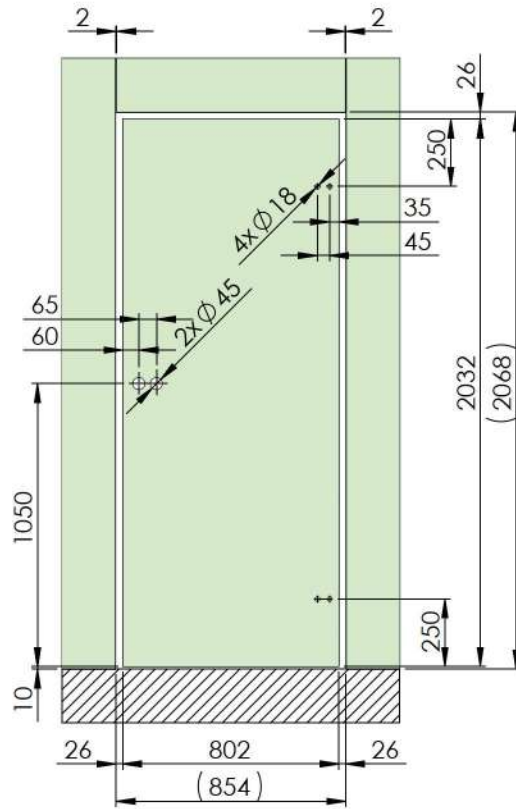
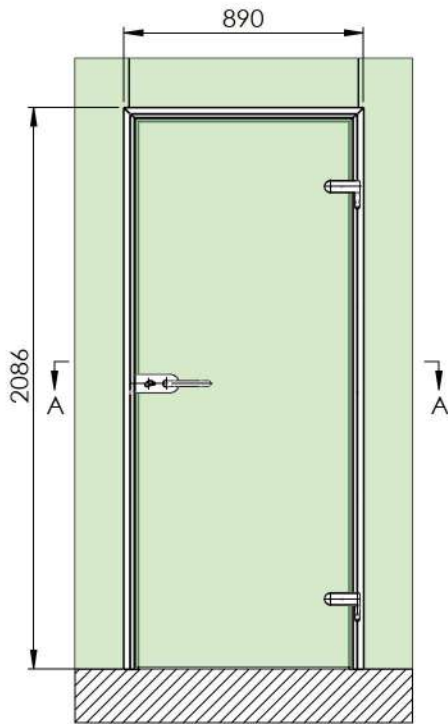
Profile	GLASS		L	Quantity/ pcs
	8	10		
	GS-PVC/ZP-2733-N/B		6000	1

5.9 GLASS WALLS

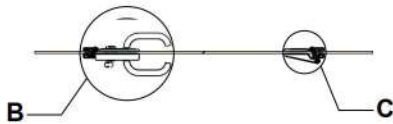




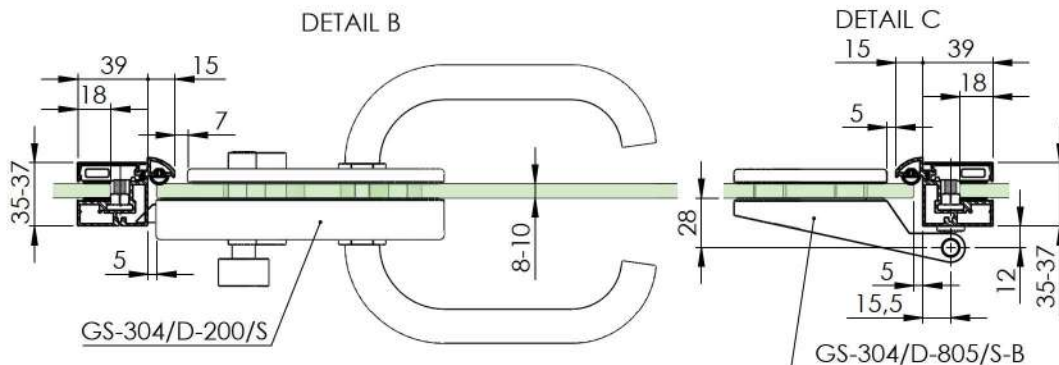
Quality	Finish	Effect	art.	glass t
ALUMINIUM	natural	ELOX	GS-AL/ZG-L-N-E	8-10
			GS-AL/ZG-R-N-E	



SECTION A-A

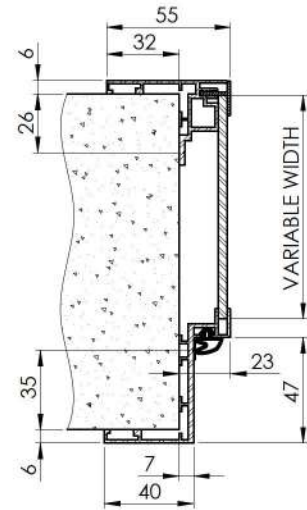


DETAIL B

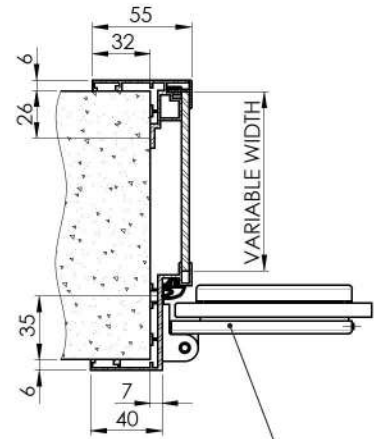
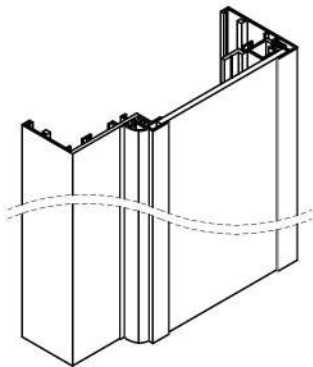


GS-304/D-200/S

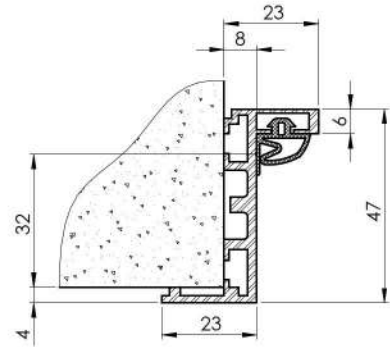
GS-304/D-805/S-B



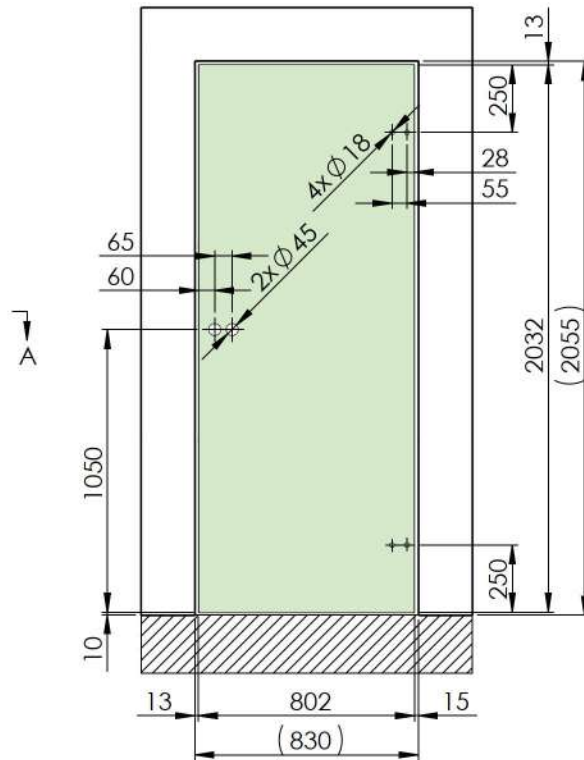
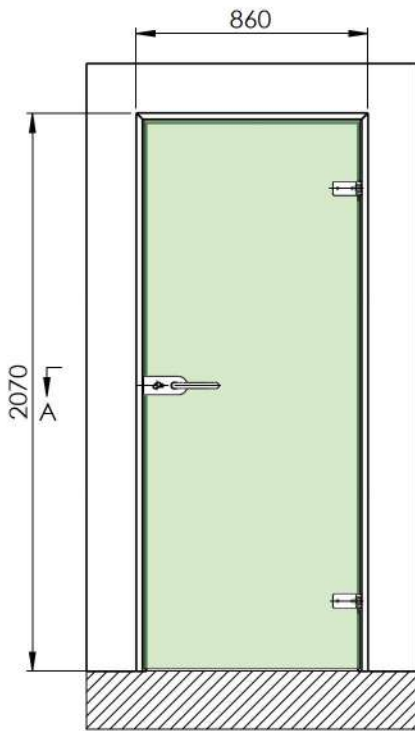
Quality	Finish	Effect	art.
ALUMINIUM	natural	ELOX	GS-AL/ZU-N-E



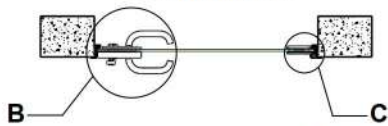
GS-304/D-808/S



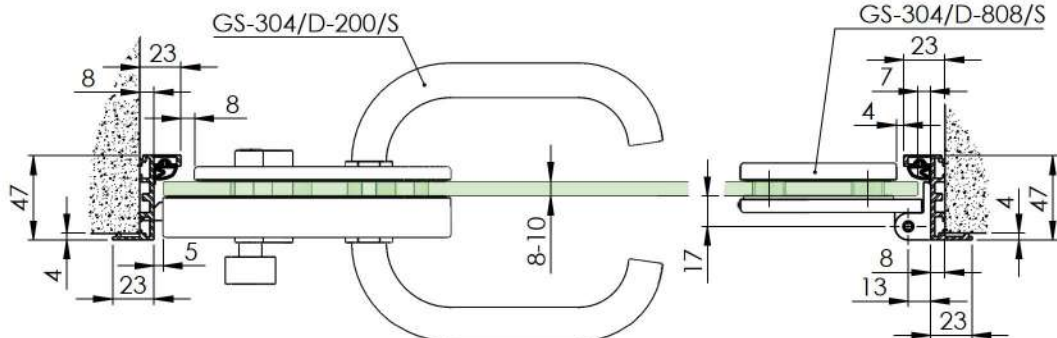
Quality	Finish	Effect	art.
ALUMINIUM	natural	ELOX	GS-AL/ZZ-6000-N-E
			GS-AL/ZL-6000-N-E

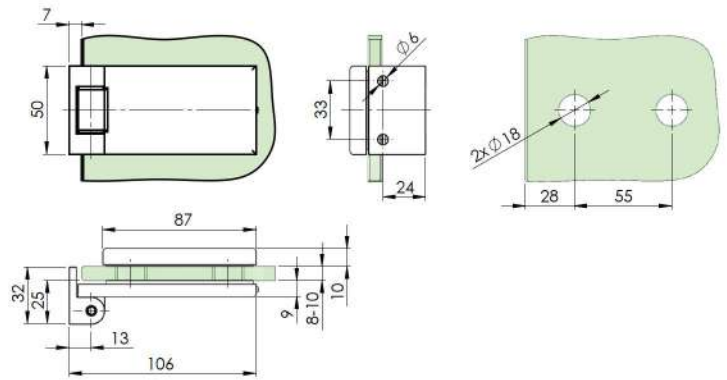


SECTION A-A

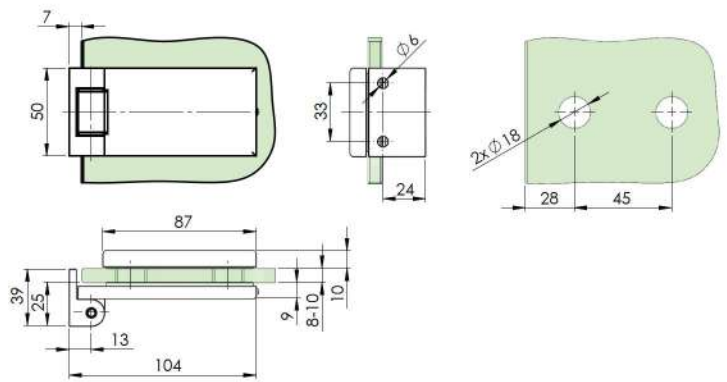


DETAIL B

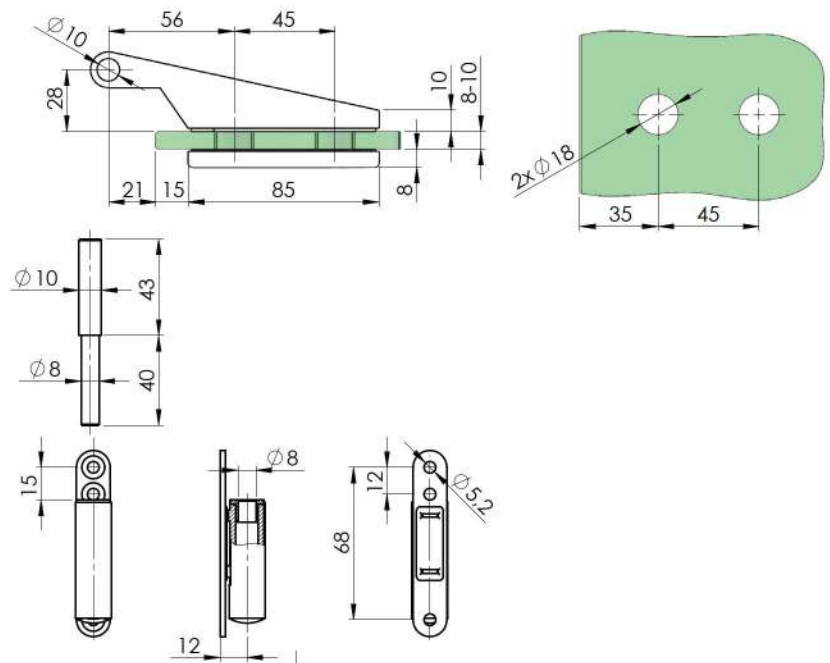




Quality	Finish	Effect	art.
ALUMINIUM	satin	ELOX	GS-AL/D-808/S



Quality	Finish	Effect	art.
ALUMINIUM	satin	ELOX	GS-AL/D-809/S



Quality	Finish	Effect	art.	G max/2pcs
AISI304	satin	INOX	GS-304/D-805/S-B	45
ALUMINIUM		ELOX	GS-AL/D-805/S/E-B	

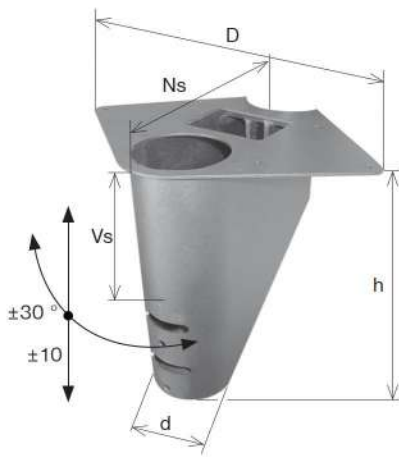
6 STAIRS, ACCESORIES





6.1 SEGMENT STAIRS





NS	art.	V _s (min)	V _s (max)	N _s	D	d	h	AISI304	Fe
NS240	NS240-N1	140		240	395	108	138		✓
	NS240-N2	180					310		
	NS240	170	190				350		
	NS240-NV	170	190				350		
NS270	NS270-N1	130		270	395	132	128		✓
	NS270-N2	170					290		
	NS270	160	180				350		
	NS270-NV	160	180				350		



Stair set NS240(t=40)

art.	v(mm)		NS240 -N1	NS240 -N2	NS240 -NV	NS240	
	max.	min.				Alt. 1	Alt. 2
	180		1x	-	-	-	-
	360		1x	1x	-	-	-
	550	530	1x	1x	1x	-	-
	740	700	1x	1x	1x	-	1x
	930	870	1x	1x	1x	1x	2x
	1120	1040	1x	1x	1x	2x	3x
	1310	1210	1x	1x	1x	3x	4x
	1500	1380	1x	1x	1x	4x	5x
	1690	1550	1x	1x	1x	5x	6x
	1880	1720	1x	1x	1x	6x	7x
	2070	1890	1x	1x	1x	7x	8x
	2260	2060	1x	1x	1x	8x	9x
NS240/V245-223	2450	2230	1x	1x	1x	9x	10x
NS240/V264-240	2640	2400	1x	1x	1x	10x	11x
NS240/V283-257	2830	2570	1x	1x	1x	11x	12x
NS240/V302-274	3020	2740	1x	1x	1x	12x	13x
	3210	2910	1x	1x	1x	13x	14x

Stair set NS270(t=40)

art.	v(mm)		NS270 -N1	NS270 -N2	NS270 -NV	NS270	
	max.	min.				Alt. 1	Alt. 2
	170		1x	-	-	-	-
	340		1x	1x	-	-	-
	520	500	1x	1x	1x	-	-
	700	660	1x	1x	1x	-	1x
	880	820	1x	1x	1x	1x	2x
	1060	980	1x	1x	1x	2x	3x
	1240	1140	1x	1x	1x	3x	4x
	1420	1300	1x	1x	1x	4x	5x
	1600	1460	1x	1x	1x	5x	6x
	1780	1620	1x	1x	1x	6x	7x
	1960	1780	1x	1x	1x	7x	8x
	2140	1940	1x	1x	1x	8x	9x
	2320	2100	1x	1x	1x	9x	10x
NS270/V250-226	2500	2260	1x	1x	1x	10x	11x
NS270/V268-242	2680	2420	1x	1x	1x	11x	12x
NS270/V286-258	2860	2580	1x	1x	1x	12x	13x
NS270/V304-274	3040	2740	1x	1x	1x	13x	14x

6.2 ACCESSORIES





Quality	Finish	art.	M	L
AISI304	raw	A-DIN 914-A2 M5x5	5	5
		A-DIN 914-A2 M6x6	6	6



Quality	Finish	art.	M	L
AISI304	raw	A-DIN 913-A2 M8x22	8	22
		A-DIN 913-A2 M8x80		80
		A-DIN 913-A2 M10x35	10	35
		A-DIN 913-A2 M10x100		100



Quality	Finish	art.	M	L
steel 8.8	Zn	DIN 7991 M12x30 8.8-Zn	12	30
AISI304	raw	A-DIN 7991-A2 M5x16	5	16
		A-DIN 7991-A2 M5x20		20
		A-DIN 7991-A2 M6x8	6	8
		A-DIN 7991-A2 M6x16		16
		A-DIN 7991-A2 M6x20		20
AISI316	raw	A4-DIN 7991 M5x16	5	16
		A4-DIN 7991 M8x20	8	20
		A4-DIN 7991 M12x30	12	30



Quality	Finish	art.	M	L
steel 8.8	Zn	DIN 7380 M10x20 8.8-Zn	10	20
AISI304	raw	A-DIN 7380-A2 M5x12	5	12
		A-DIN 7380-A2 M6x12	6	12
		A-DIN 7380-A2 M8x10	8	10
		A-DIN 7380-A2 M8x20		20
		A-DIN 7380-A2 M10x20	10	20
		A-DIN 7380-A2 M12x20	12	20
		AISI316	raw	A4-DIN 7380 M5x12
A4-DIN 7380 M8x20	8			20
		A4-DIN 7380 M10x20	10	20



Quality	Finish	art.	M	L
AISI304	raw	A-DIN 7991-A2 M5x16-Fix	5	16
		A-DIN 7991-A2 M6x8-Fix	8	8



Quality	Finish	art.	M	L
AISI304	raw	A-DIN 7380-A2 M5x12-Fix	5	12
		A-DIN 7380-A2 M6x12-Fix	6	12
		A-DIN 7380-A2 M8x20-Fix	8	20



Quality	Finish	art.	M	L
AISI304	raw	A-DIN 912-A2 M5x20	5	20
		A-DIN 912-A2 M8x20	8	20
		A-DIN 912-A2 M12x25	12	25
		A-DIN 912-A2 M12x35		35



Quality	Finish	art.	M	L	D/v
steel 8.8	Zn	W-DIN 7991 M8x20-P	8	20	21,5/5
AISI316	raw	W-DIN 7991-A4 M8x20-P	8	20	21,5/5



Quality	Finish	art.	M	L
steel 8.8	Zn	DIN 933 M10x30 8.8-Zn	10	30
AISI316	raw	A4-DIN 933 M10x30	10	30



Quality	Finish	art.	M	L
AISI304	raw	A-DIN 917 M8	8	10
		A-DIN 917 M10	10	12



Quality	Finish	art.	M	L
AISI304	raw	A-DIN 1587-A2 M6	6	12
		A-DIN 1587-A2 M8	8	15
		A-DIN 1587-A2 M10	10	18
		A-DIN 1587-A2 M12	12	22
AISI316		A4-DIN 1587 M10	10	18



Quality	Finish	art.	M	L
AISI304		A-DIN 934 M8	8	6,5
		A-DIN 934 M10	10	8
		A-DIN 934 M12	12	10
AISI316		A4-DIN 934 M10	10	8



Quality	Finish	art.	M
steel	Zn	WOOD/M8-D	8
		WOOD/M10-D	10



Quality	Finish	art.	M	s	t
AISI304	raw	A-DIN 562 M6	6	10	3,2
		A-DIN 562 M8	8	13	4
		A-DIN 562 M10	10	17	5



Quality	Finish	art.	M	D	L
AISI304	raw	A-DIN 6334V M8x25-A2w	8	11	25
		A-DIN 6334V M10x25-A2	10	13	



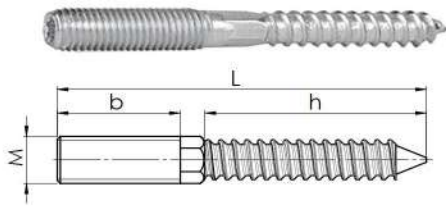
Quality	Finish	art.	d	t
steel	Zn	DIN 125 10-Zn	10	2
		DIN 9021 10-Zn		2,5
AISI304	raw	A-DIN 125-A2 M5	5	1
		A-DIN 125-A2 M10	10	2
		A-DIN 9021-A2 M10		2,5
		A-DIN 125-A2 M12	12	2,5
		A-DIN 433-A2 M12		2



Quality	Finish	art.	M	L
AISI304	raw	A-FTT-M5	5	12
		A-FTT-M6	6	15
		A-FTT-M8	8	16,5



art.	Compatibility
Q8/79	A-FTT...



Quality	Finish	art.	M	L	b	h
AISI304	raw	A-DIN 9210 M8x60-A2	8	60	20	37
		A-DIN 9210 M10x100-A2	10	100	30	57
AISI316		A4-DIN 9210 M8x60	8	60	20	37



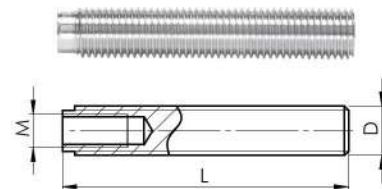
Quality	Finish	art.	L	d
AISI304	raw	A-DIN 7337-A2 4,8x20	20	4,8



Quality	Finish	art.	M	L
AISI304	raw	A-DIN 7505A 5x20	5	20
		A-DIN 7505A 5x35		35

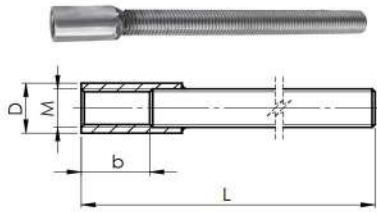


Quality	Finish	art.	M	L
AISI304	raw	A-PH 5x20	5	20
		A-PH 5x35		35



Quality	Finish	art.	M	L
AISI304	raw	A-DIN 975 M8	8	1000
		A-DIN 975 M10	10	
		A-DIN 975 M12	12	
AISI316		A4-DIN 975 M10	10	

Quality	Finish	art.	M	L	D
steel 5.8	Zn	Q5/08-VI-G-M8-100/S...	8	100	12
		Q5/08-VI-G-M10-80/S...	10	80	16
		Q5/08-VI-G-M12-125/S...	12	125	20
AISI316	raw	A5/08-VI-G-M8-100/A4...	8	100	12
		A5/08-VI-G-M10-80/A4...	10	80	16
		A5/08-VI-G-M12-125/A4...	12	125	20



Quality	Finish	art.	M	D	b	L
AISI304	raw	A19/27-M6	6	9		
		A19/27-M8	8	11	15	140
		A19/27-M10	10	13		
		A19/27-M12	12	15	25	130



Quality	Finish	art.	M	L
steel	Zn	Q5/06-8x100CE	8	92
		Q5/06-10x120CE	10	120
		Q5/06-16x123CE	16	123
		Q5/06-16x138CE	16	138
AISI304	raw	A-Q5/06-10x120CE	10	120



Quality	Finish	art.	M	L	d
steel	Zn	Q5/08-FH12-50	8	125	12



Quality	Finish	art.	M	L	d	D
steel	Zn	Q5/08-HAZ-M8-85S/S...w	8	85	12	20
		Q5/08-HAZ-M10-106S/S...	10	106	15	25
AISI316	raw	A5/08-HAZ-M8-85S/A4...	8	85	12	20
		A5/08-HAZ-M10-106S/A4...	10	106	15	25



Quality	Finish	art.	M	L	d
steel	Zn	Q5/08-TNTR08-8x52	8	52	12



Quality	Finish	art.	M	L	d
AISI304	raw	A5/08-105x11xM8	8	105	11



Quality	Finish	art.	M	L
steel 5.8	Zn	Q5/08-VM250-M12-135...	12	135
AISI316	raw	A5/08-VM250-M12-135-A4...	12	135



Quality	Finish	art.	M	L
steel	raw	Q5/08-FBN12-30	12	126



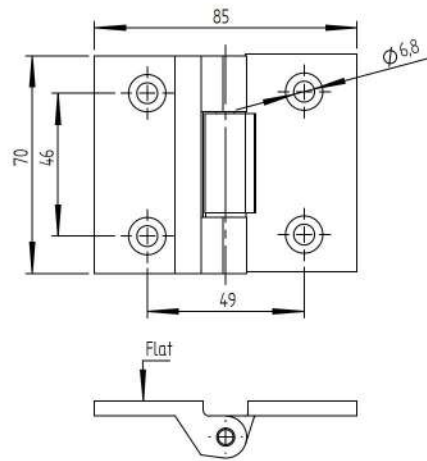
Quality	Finish	art.	M	L	d	D/v
steel	Zn	Q5/08-HAZ-M8-80SK/S	8	80	12	20,5/5
AISI316	raw	A5/08-HAZ-M8-80SK/A4	8	80	12	20,5/5



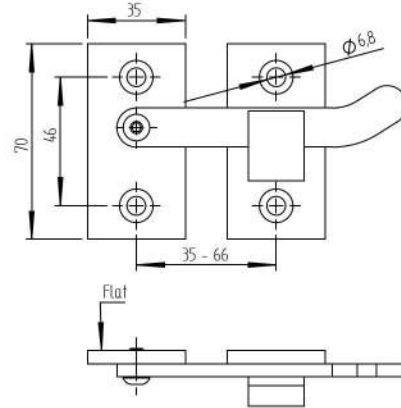
Quality	Finish	art.	M	L	d
steel	Zn	Q5/08-FAZ-IG-M10-70/S	10	70	12
AISI316	raw	A5/08-FAZ-IG-M10-70/A4	10	70	12



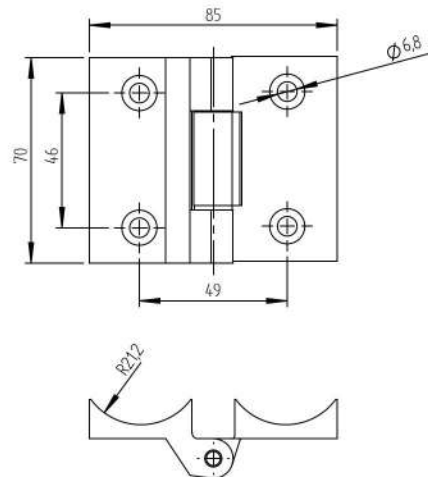
Quality	Finish	art.	D	d	L
NYLON	gray	Q5/07-8 NYLON	8	2,5-4	40
		Q5/07-10 NYLON	10	3-6	50
		Q5/07-12 NYLON	12	4-8	60



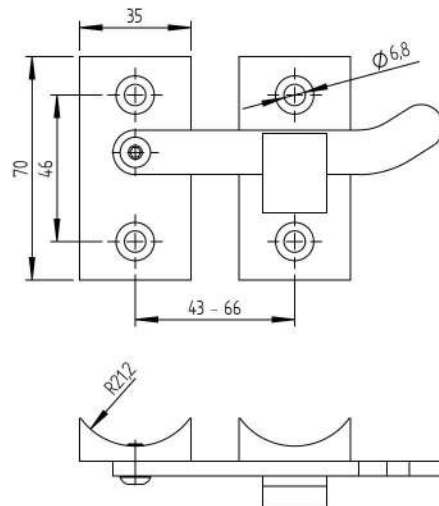
Quality	Finish	art.	Ø	Gmax (kg)
AISI316	satın	D16/73-70-000	Flat	2xD16/73-70-000 50



Quality	Finish	art.	Ø
AISI316	satın	D16/74-70-000	Flat



Quality	Finish	art.	Ø	Gmax (kg)
AISI316	satın	D16/73-70-042	42,4	50



Quality	Finish	art.	Ø
AISI304	satın	D8/74-70-042	42,4
AISI316		D16/74-70-042	



art.	ml	quality	description
Q5/01GF-300 Nordic			-20°C
Q5/01GF-400 Nordic		PVC	
Q5/01GF-300			
Q5/01GF-400			

top



art.	ml	quality	description
Q5/01TK-300 Winter			-20°C
Q5/01TK-400 Winter		PVC	
Q5/01TK-300			
Q5/01TK-400			



art.	ml	description
Q5/01GFP-300		Polyester
Q5/01GFP-400		



art.	ml	description
Q5/05TR-310		Silicone



art.	ml	quality	description
Q5/01-WIT-UH300...	320	uretan vinylester	-40°C +160°C
Q5/01-WIT-VM250...	300	vinylester	-40°C +120°C



art.	description
Q5/04	M17, h215



art.	description
Q5/03-300	300ml, hobby



art.	description
Q5/03-400	400ml, profi



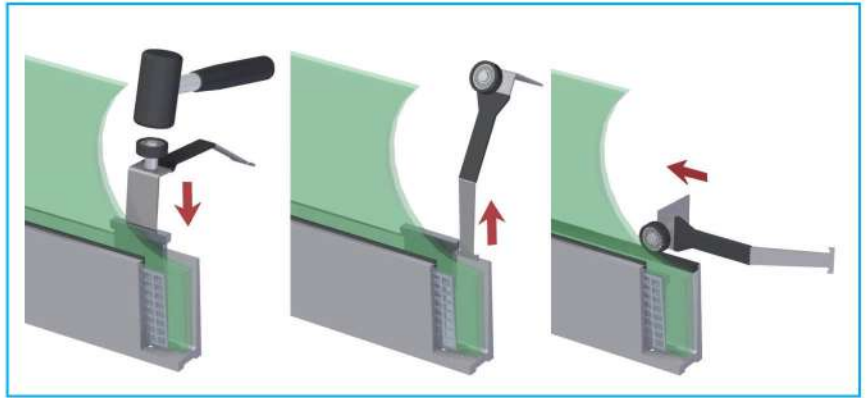
art.	description
Q8/77	adjustable



art.	t	b	L
Q9/03-0,2x9	0,2	9	50
Q9/03-3x12	3	12	16,5



art.
AL/glass-mont



Quality	Finish	art.
AISI304	raw	A19/model741-8



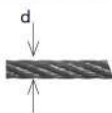
Quality	Finish	art.
PVC	satin	A19/04-PVC
	polish	A19/04-PVC-L



art.	M
A19/2,5	5



Quality	Finish	art.	M
AISI304	raw	Q10/Therm-M12/M12	12-12



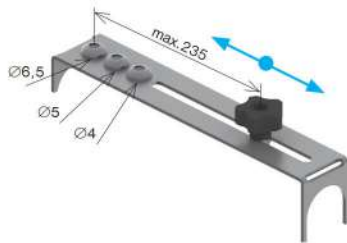
art.	d
Q8/95	3-8



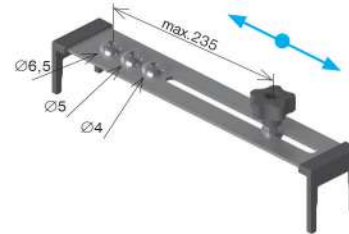
Quality	art.	Ø
HSS-CO5	A-DRILL-M5	4
	A-DRILL-M6	4,8
	A-DRILL-M8	6,4



Quality	art.	DRILL
HSSE	Q8/SCREW-M5	Q8/DRILL-4
	Q8/SCREW-M8	Q8/DRILL-6,5
	Q8/SCREW-M10	Q8/DRILL-8



Quality	art.	Ø	☑
AISI304	A/40580-ECO	42,4	-



Quality	art.	Ø	☑
AISI304	A/40580-PLASTIC	42,4	40



Quality	art.
TC	A/FDRILL-M3F
	A/FDRILL-M4F
	A/FDRILL-M5F
	A/FDRILL-M6F
	A/FDRILL-M10F
	A/FDRILL-M12F



Quality	art.
TC	A/FDRILL-M3C
	A/FDRILL-M4C
	A/FDRILL-M5C
	A/FDRILL-M6C
	A/FDRILL-M8C
	A/FDRILL-M10C
	A/FDRILL-M12C



Quality	art.
HSSE	A/FTAP-M3
	A/FTAP-M4
	A/FTAP-M5
	A/FTAP-M6
	A/FTAP-M8
	A/FTAP-M10
	A/FTAP-M12



art.	
Q/INOX-INSTALL-SET	



art.	PCS
A/Glue-10g-C	1x
A-DRILL-M5	
Q1/RN01-125x1	
Q1/L01-125-40	
Q1/G01	
A/spray-WS	



art.	g
A/Glue-10g-C	10



art.	g
A/Glue-20g	20



art.	g
A/Glue-50g-C	50



art.	description
W/glue-25ml	wood



art.	ml
A/Cleaner-500ml	500



art.	ml
A/spray-WS	400



art.	description
Q1/RN01-125x1	cutting disc <i>top</i>



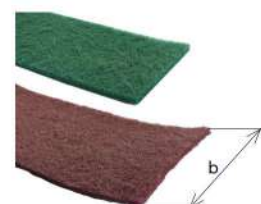
art.	description
Q1/L01-125-40	flap disc
Q1/L01-125-80	flap disc
Q1/L01-125-120	flap disc



art.	description
Q1/B02-INOX	3-45 Pipe cutting



art.	compatibility
Q1/B02-INOX-RK	Q1/B02-INOX



art.	b	granularity
Q1/G01	100	360



Art.
PNL/ASM4-03-12



Art.
PNL/ASM5-02-16



Art.
PNL/ASM6-09-16



Art.
PNL/ASM1-02-11



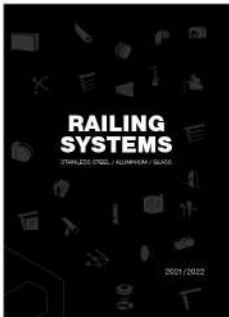
Art.
PNL/ASM2-02-11



Art.
PNL/ASM3-02-11



Art.
A-VR100-5D12-BOX



Art.
KAT-RAILING-SYSTEMS-2021/2022



Art.
PNL/G03-30x42



Art.
REK-CASE-INOX3

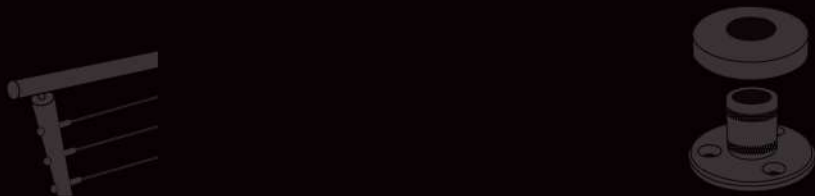
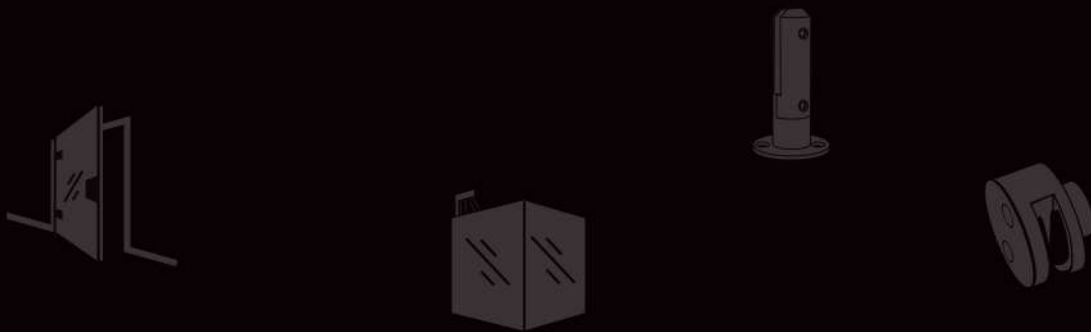
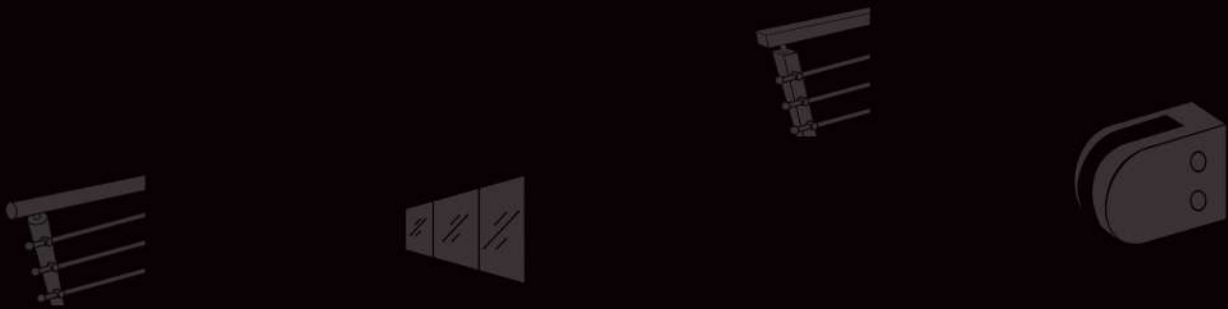
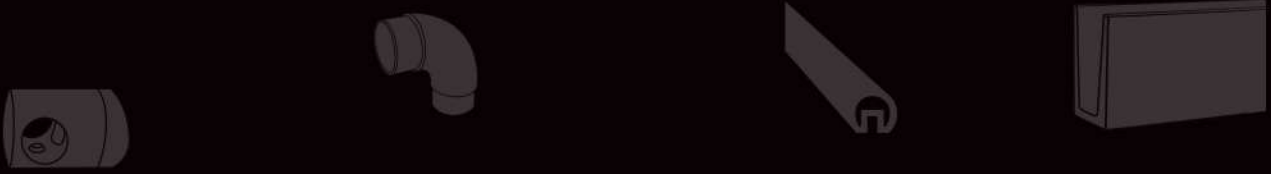


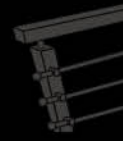
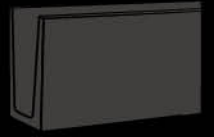
Art.
PNL/GLASS-AD-1-2017

INOX AISI304 ✓ AISI316 ✓ S.S. 2205 ✓ ALUMINIUM ✓ ZAMAK ✓	INOX AISI304 ✓ AISI316 ✓ S.S. 2205 ✓ ALUMINIUM ✓ ZAMAK ✓	INOX AISI304 ✗ AISI316 ✓ S.S. 2205 ✓ ALUMINIUM ✓ ZAMAK ✗
INOX AISI304 ✗ AISI316 ✓ S.S. 2205 ✓ ALUMINIUM ✓ ZAMAK ✗	INOX AISI304 ✗ AISI316* ✓ S.S. 2205 ✓ ALUMINIUM ✓ ZAMAK ✗	INOX AISI304 ✗ AISI316 ✗ S.S. 2205 ✓ ALUMINIUM ✗ ZAMAK ✗

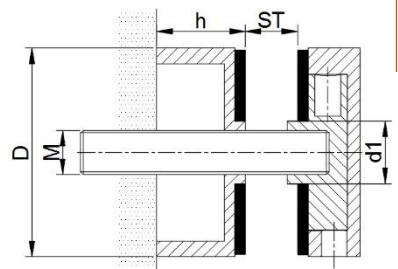
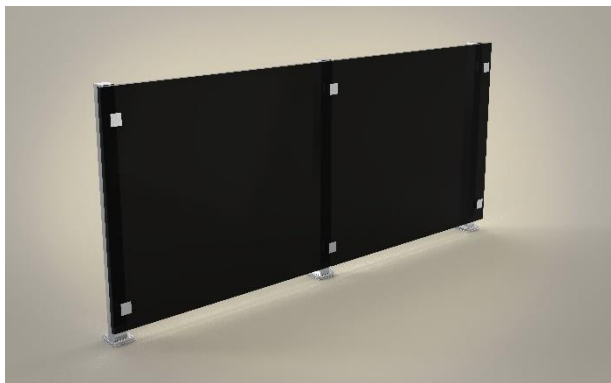
material	AISI304	nerezová oceľ	stal nierdzewna	rozsdamentes acél	stainless steel	Edelstahl	INOX
	AISI316						
	S.S. 2205						
	ALUMINIUM	hliník	aluminium	aluminium	aluminium	Aluminium	aluminium
	ZAMAK	zlatina Zn+Al	stop cynku i aluminium	Zn+Al ötvözet	ZAMAC	Zinkdruckguss	alliage Zn+Al
	Fe	železo	želazo	vas	iron	Eisen	fer
	Zn	zinok	cynk	cink	zinc	Zink	zinc
	Brass	mosadz	miedź	sárgaréz	brass	Messing	laiton
	PVC	PVC	PVC	PVC	PVC	PVC	PVC
	Rubber	guma	guma	gumi	rubber	Gummi	gomme
Beech	buk	buk	bükk	beech	Buche	hêtre	
Oak	dub	dąb	tölgy	oak	Eiche	chêne	
Spruce	smrek	świerk	lucfenyő	spruce	Fichte	épicéa	
VSG/ESG	sklo	szkło	üveg	glass	Glas	verre	
finish/effect	satin	brus K320	szlif K320	szálcsiszolt K320	brushed K320	geschliffen K320	brossé K320
	silver	strieborný	srebro	ezüst	silver	Silber	argent
	polish	lesk	polerowany	tükör polírozott	polished	poliert	poli
	raw	surový	surovy	nyers	raw	roh	brossé
	natural	nebrúsený	neszlifovaný	natúr	rough	ungeschliffen	non-brossé
	black	čierny	czarny	fekete	black	schwarz	noir
	white	biely	biały	fehér	white	weiß	blanc
	gray	sivý	siwy	szürke	gray	grau	gris
	INOX	nerez	nierdzewny	rozsdamentes	inox	Edelstahl	inox
	ELOX	eloxovaný	anodowany	eloxált	elox	Eloxiert	anodisé
	potrebné úpravy	niezbędne przystosowanie	szükséges módosítás	necessary modification	Anpassung ist notwendig	modification nécessaire	
	nezmontované	niezłożone	nem összeszerelt	not assembled	unmontiert	non assemblé	
~	približný rozmer	przybliżone wymiary	közelítő méretek	approximate dimension	die Abmessungen sind ungefähr	dimensions approximatives	
<i>Top</i>	bestseller	bestseller	legjobb eladott	best seller	Bestseller	best-seller	
<i>new</i>	novinka 2021	nowość 2021	új 2021	new 2021	Neuheit 2021	nouveau 2021	
GAMIN	Skúška v soľnej hmle podľa normy ISO 9227 (NSS)	Testowane w komorze soľnej zgodnie z normą ISO 9227 (NSS)	Sós spray teszt az ISO 9227 (NSS) szabvány szerint	Salt spray test according to ISO 9227 (NSS)	Salzsprühtest nach ISO 9227 (NSS)	L'essai au brouillard salin selon ISO 9227 (NSS)	

- INOX AISI 304**
- vhodný do prostredia bez chlóru a oxidu siričitého
INOX AISI 316
- vhodný do prostredia s vysokým obsahom chlóru, oxidu siričitého, vysokej vlhkosti, do prímorských regiónov
INOX S.S. 2205 - vhodný do prostredia s vysokým obsahom chlóru, oxidu siričitého, vysokej vlhkosti s prítomnosťou soli na pobreží a na voľnom mori.
- INOX AISI 304**
- suitable for the environment without chlorine and sulphur dioxide load
INOX AISI 316
- suitable for the environment with a high content of chlorine, sulphur dioxide load, high humidity, coastal regions
INOX S.S. 2205
- Suitable for environments with a high content of chlorine, sulphur dioxide, high humidity with salt on the coast and on the high seas.
- INOX AISI 304**
- przeznaczone dla środowiska bez dwutlenku siarki oraz chloru
INOX AISI 316
- przeznaczone dla środowiska o wysokiej zawartości dwutlenku siarki oraz chloru, wysokiej wilgotności oraz w regionach nadmorskich
INOX S.S. 2205
- Nadaje się do środowisk o wysokiej zawartości chloru, dwutlenku siarki, o wysokiej wilgotności, o dużym zasoleniu, w strefach nadmorskich, lub w bezpośrednim kontakcie z wodą morską.
- INOX AISI 304**
- alkalmazható olyan környezetben, ahol nincs klór és kén-dioxid terhelés
INOX AISI 316
- alkalmazható olyan környezetben, ahol magas a klór-, vagy kén-dioxid terhelés, magas a páratartalom, tengerparti régiókban
INOX S.S. 2205
- „Alkalmazható magas klór-, kén-dioxid-, sós nedvességtartalmú környezetben, valamint tengerparton és a nyílt tengeren”.
- INOX AISI 304**
- geeignet in Umgebung ohne Chlor und Schwefeldioxid
INOX AISI 316
- geeignet in Umgebung mit einem hohen Gehalt an Chlor, Schwefeldioxid oder in Umgebung mit hoher Luftfeuchtigkeit, in Küstenregionen
INOX S.S. 2205
- geeignet für Umgebungen mit hohem Gehalt an Chlor, Schwefeldioxid und hoher Luftfeuchtigkeit mit Salz an der Küste und auf hoher See
- INOX AISI 304**
- Convenable pour les environnements sans chlore et/ ou bioxyde de soufre
INOX AISI 316
- Convenable pour les environnements avec un contenu élevé de chlore et/ ou de bioxyde de soufre, une grande humidité, régions maritimes
INOX S.S. 2205
- Convenable au milieu avec un contenu élevé du dioxyde de soufre, ainsi qu'au milieu humide contenant du sel, tel que le bord de mer ou la mer ouverte.

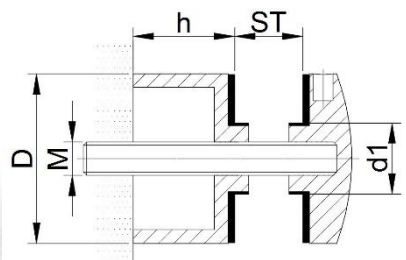
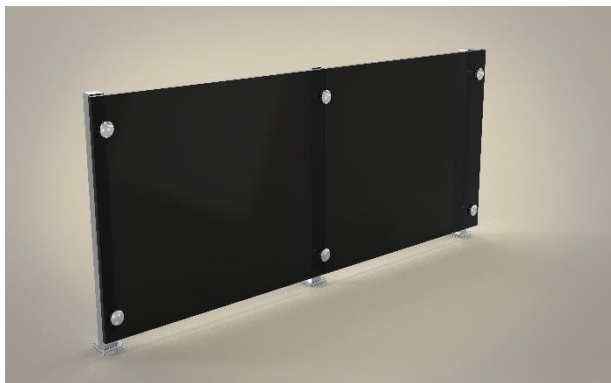




NOSAČ STAKLA

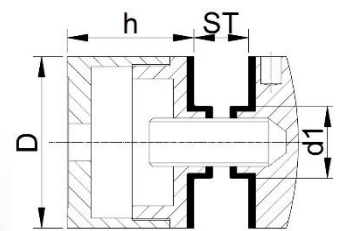
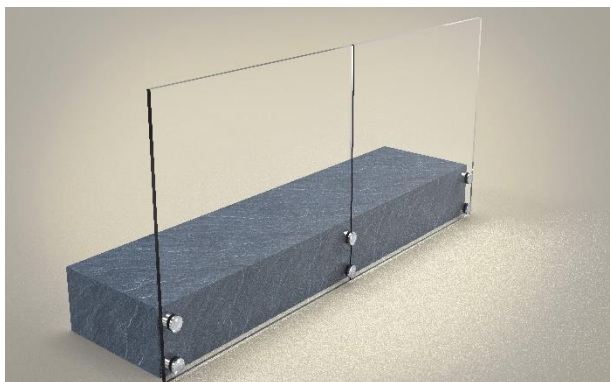


MODEL	FINISH	STAKLO	D	d1	M	h
GS 100-40-00	SATINIRANO, POLIRANO	8-20	40	18	10	10-30



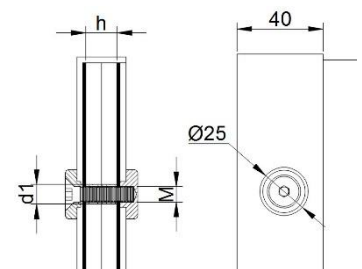
- fiksni nosač stakla

MODEL	FINISH	STAKLO	D	d1	M	h
GS 101-30	SATINIRANO, POLIRANO	8-16	30	14	8	10-30
GS 102-40		8-16	40	14	8	10-30
GS 103-50		8-20	50	22	10	10-30

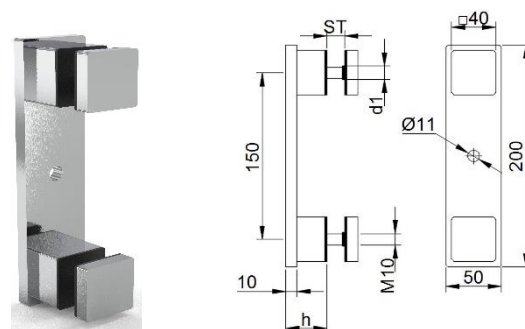


- regulirajući nosač stakla

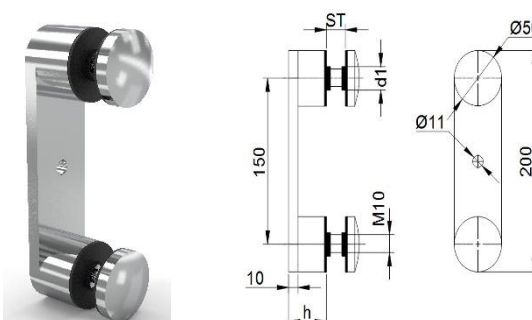
MODEL	FINISH	STAKLO	D	d1	h
GS 8105	SATINIRANO, POLIRANO	8-20	50	22	27-250



MODEL	FINISH	STAKLO	d1	M
GSA 40-25	SATINIRANO, POLIRANO	8-16	14	8



MODEL	FINISH	STAKLO	d1	M	h
GS 200-50	SATINIRANO	8-20	18	10	20-40



MODEL	FINISH	STAKLO	d1	M	h
GSO 200-50	SATINIRANO	8-20	22	10	20-40



- A/2100-042



- A/2000-042

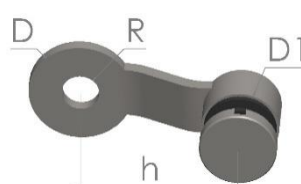


- standardni nosač stakla

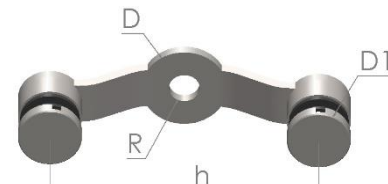
MODEL	FINISH	STAKLO	Ø
A/2000-042	SATINIRANO, POLIRANO	6-16	40 / 42,4 / 50
A/2100-042			



- SF 101-30

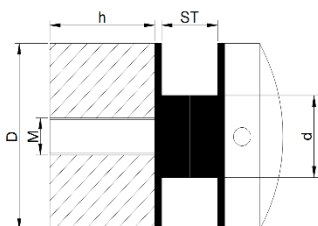


- SF 102-30



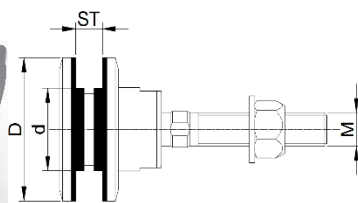
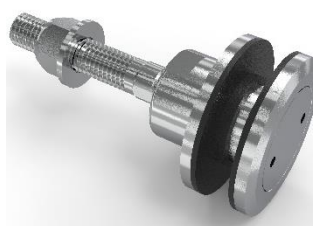
MODEL	FINISH	STAKLO	D1	D	h	R
SF 101-30	SATINIRANO	8-17,52	30	40	70	14,5
SF 102-30						

NOSAČ STAKLA



- fiksni nosač stakla

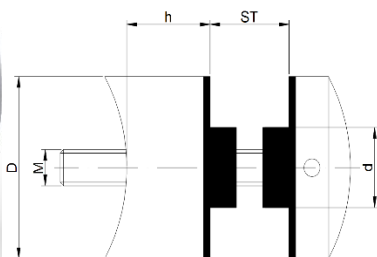
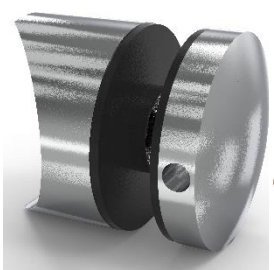
MODEL	FINISH	STAKLO	D	d	h	M
GSF-30	SATINIRANO, POLIRANO	8-12	30	14	30	8
GSF-40		8-16	40	14	30	8
GSF-50		8-20	50	22	30	10



- zglobni nosač stakla

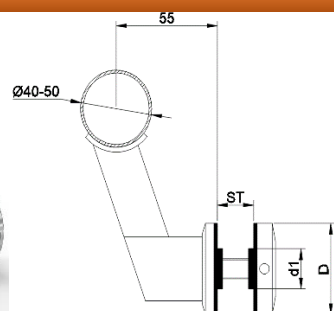
MODEL	FINISH	STAKLO	D	d	M
GSD-60	SATINIRANO	8-16	60	35	14

NOSAČ RUKOHVATA - STAKLO

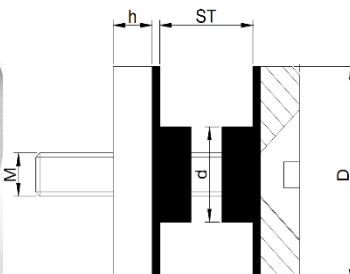
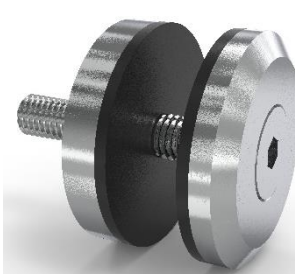


- fiksni nosač stakla – za cijev

MODEL	FINISH	STAKLO	D	d	h	M
GSB-50	SATINIRANO, POLIRANO	8-20	50	22	10	10

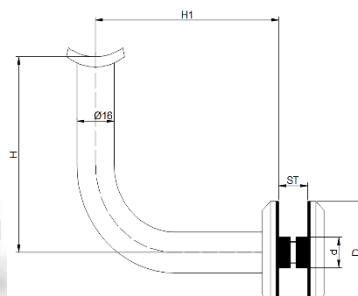


MODEL	FINISH	STAKLO	D	d1
GSE-30	SATINIRANO	8-20	30	14

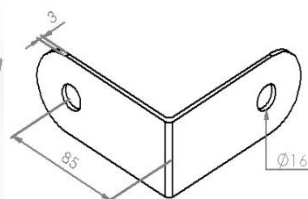


- fiksni nosač stakla

MODEL	FINISH	STAKLO	D	d	h	M
GSC-30	SATINIRANO, POLIRANO	8-12	30	14	5-10	8
GSC-40		8-16	40	14	5-10	8
GSC-50		8-20	50	22	5-10	10

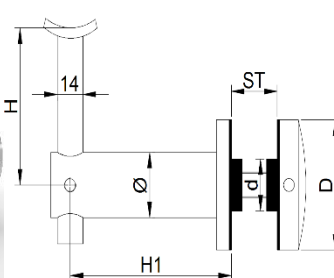


MODEL	FINISH	STAKLO	D	d	H	H1
GSG-30	SATINIRANO, POLIRANO	8-20	30	14	73	73
GSG-40		8-20	40	14	73	73



- kutni stabilizator stakla

MODEL	STAKLO	D	d
GSC-30/2	8-12	30	14
GSC-40/2	8-16	40	14
GSC-50/2	8-20	50	22



MODEL	FINISH	STAKLO	D	d	H	H1	Ø
GSH-30	SATINIRANO, POLIRANO	8-20	30	14	80	73	22
GSH-40		8-20	40	14	80	73	22
GSH-50		8-20	50	22	80	73	25